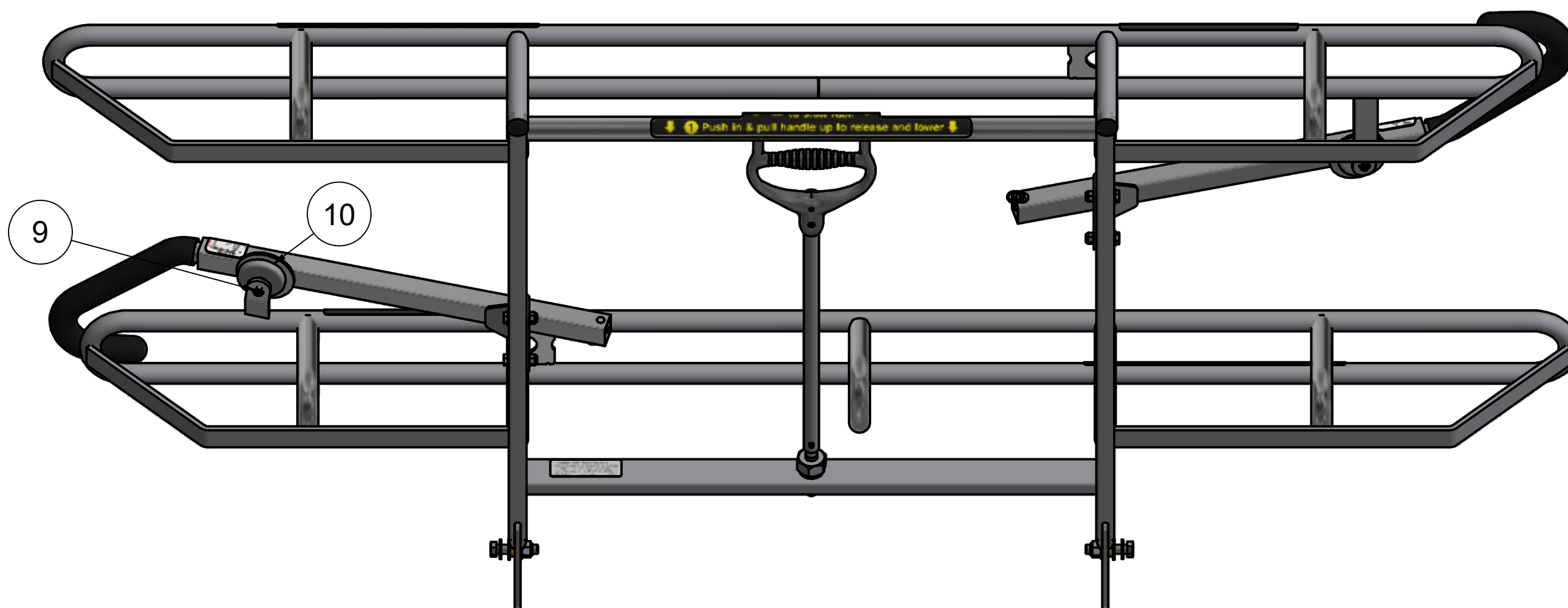


100536 SHOWN



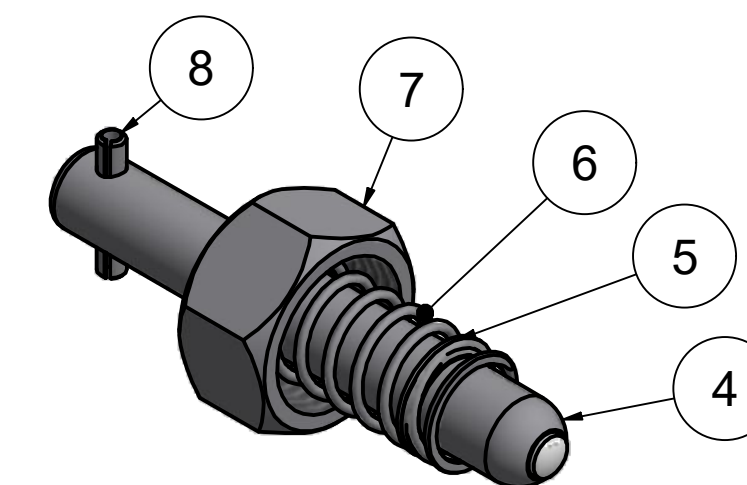
100536 SHOWN

**PARTS LIST - 4 DIGIT P/Ns ARE NOT SET UP FOR SALE. CONTACT SPORTWORKS FOR REPLACEMENT P/Ns**

ITEM	QTY	PART NO	TITLE
1	1	XXXX	Frame Weldment - see table at btm of this page for P/Ns
2	2	8292-PEN	Prebuild Support Arm Assembly, All Stainless, Peened
3	1	5422	DL2, NP Latch Handle Sub Assy
4	1	8386	BRFB LATCH PIN SUB-ASSY
5	1	7647	WASHER, FLAT, .505 x .685 x .030, Stainless
6	1	7068	SPRING, Compression, Latch Pin, Stainless
7	1	7071	SS Hex Cap for DL2 Latch Pin Assembly
8	1	5205	PIN, ROLL, .15625 OD x .875, 18-8 Stainless
9	2	7010	NUT, NYLOCK 10-32, SS
10	2	4675	MAGNET, 45LB, Neodymium w/Stainless Steel Cup, 2.375" dia
11	4	7005	HHCS, 1/4-20 x 1.25, Stainless
12	4	7012	WASHER, FLAT, 1/4 SS
13	4	7009	NUT, HEX, 1/4-20, Nylock, Stainless
14	2	5134	PLUG, Tube End, Flat End, Black, for 7/8 in. tube
15	2	9513	HHCS, 3/8-16 x 1.75, 18-8 Stainless
16	4	7013	WASHER, FLAT, 3/8 SS
17	2	7035	BEARING, FLANGE, .625-.875 OD x .375 ID x .125-.250 thk x .5L, Bronze, Sinsteread, Oilite
18	2	7011	NUT, NYLOCK 3/8-16 NYLOCK, SS
19	2	7109	RACK CHAIN GUARD
20	1	9803	LABEL, # 1, Pull Handle to Stow Rack/ Push In & Pull Handle Up to Release and Lower
21	2	9810	LABEL V2/ V3, No. 2, Front Wheel Here (English only)
22	2	9811	LABEL No. 3, PULL HOOK UP
23	2	3537	LABEL, MMT Support Arm Placement

**BIKE RACK WELDMENT PARTS LIST - 4-DIGIT P/Ns ARE NOT SET UP FOR SALE. PLEASE CONTACT SPORTWORKS FOR REPLACEMENT P/Ns**

BIKE RACK P/N PREFIX	STAINLESS (ANTI-GLARE)	-BLK (BLACK)	-WHT (WHITE)
100536	8373-PEN	8373-BLK	8373-WHT
100352	N/A	8372-BLK	8372-WHT
100540	8383-PEN	N/A	N/A
100460	N/A	8383-BLK	8383-WHT
100434	N/A	8382-BLK	8382-WHT



LATCH PIN DETAIL

**Sportworks Northwest, Inc.**

15540 Woodinville-Redmond Rd. NE, Bldg A-200  
Woodinville, WA 98072, PH: 425-483-7000, FX: 425-488-9001

PROPRIETARY: THIS IS PROPRIETARY INFORMATION AND IS NOT TO BE REFERENCED OR DISTRIBUTED WITHOUT PRIOR WRITTEN AUTHORIZATION OF SPORTWORKS NORTHWEST, INC.

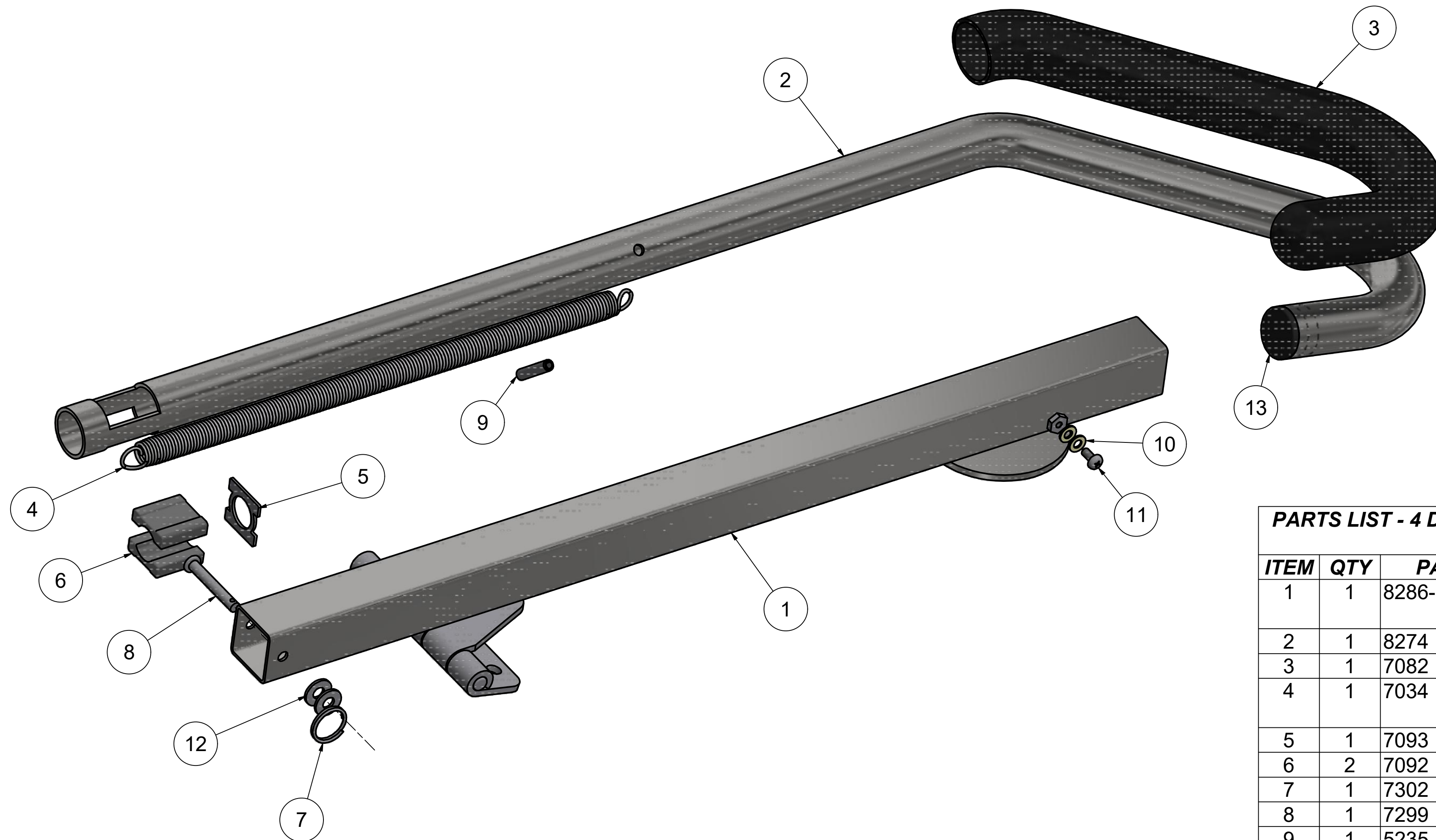
TITLE  
DL2 and DL2 NP Parts and Options Breakdown

DWG NO.  
100536, 100352, 100540, 100460, 100434

REV  
A

SIZE C2B | NO DRAWING SCALE | SHEET 1 OF 7

# 8292 SUPPORT ARM PARTS



**PARTS LIST - 4 DIGIT P/Ns ARE NOT SET UP FOR SALE. PLEASE CONTACT SPORTWORKS FOR REPLACEMENT P/Ns**

ITEM	QTY	PART NO	TITLE
1	1	8286-PEN	BRFB Arm Housing Weldment, 430 Stainless Washer, Bead Blast
2	1	8274	BRFB Std Support Arm Hook - Stainless
3	1	7082	GRIP, Molded, .815 ID x 11 in long, dip molded vinyl
4	1	7034	SPRING, EXTENSION, std Bus Rack Hook, Stainless, Custom
5	1	7093	STOP PLATE
6	2	7092	ACETAL SLIDER PIECE
7	1	7302	RING, SPLIT, .670 O.D. X .051 WIRE DIA, SS
8	1	7299	PIN, CLEVIS, 3/16 X 1 1/4 SS
9	1	5235	PIN, ROLL, .1875 x 1, 18-8 Stainless
10	2	7510	WASHER, NYLON, .312 OD X .156 ID X .031
11	1	7002	PHCS, 6-32 X 5/16, SS
12	2	7159	WASHER, FLAT, #10, SAE, Stainless
13	1	5134	PLUG, Tube End, Flat End, Black, for 7/8 in. tube

**Sportworks Northwest, Inc.**

15540 Woodinville-Redmond Rd. NE, Bldg A-200  
Woodinville, WA 98072, PH: 425-483-7000, FX: 425-488-9001

PROPRIETARY: THIS IS PROPRIETARY INFORMATION AND IS NOT TO BE REFERENCED OR DISTRIBUTED WITHOUT PRIOR WRITTEN AUTHORIZATION OF SPORTWORKS NORTHWEST, INC.

TITLE

DL2 and DL2 NP Parts and Options Breakdown

DWG NO.

100536, 100352, 100540, 100460, 100434

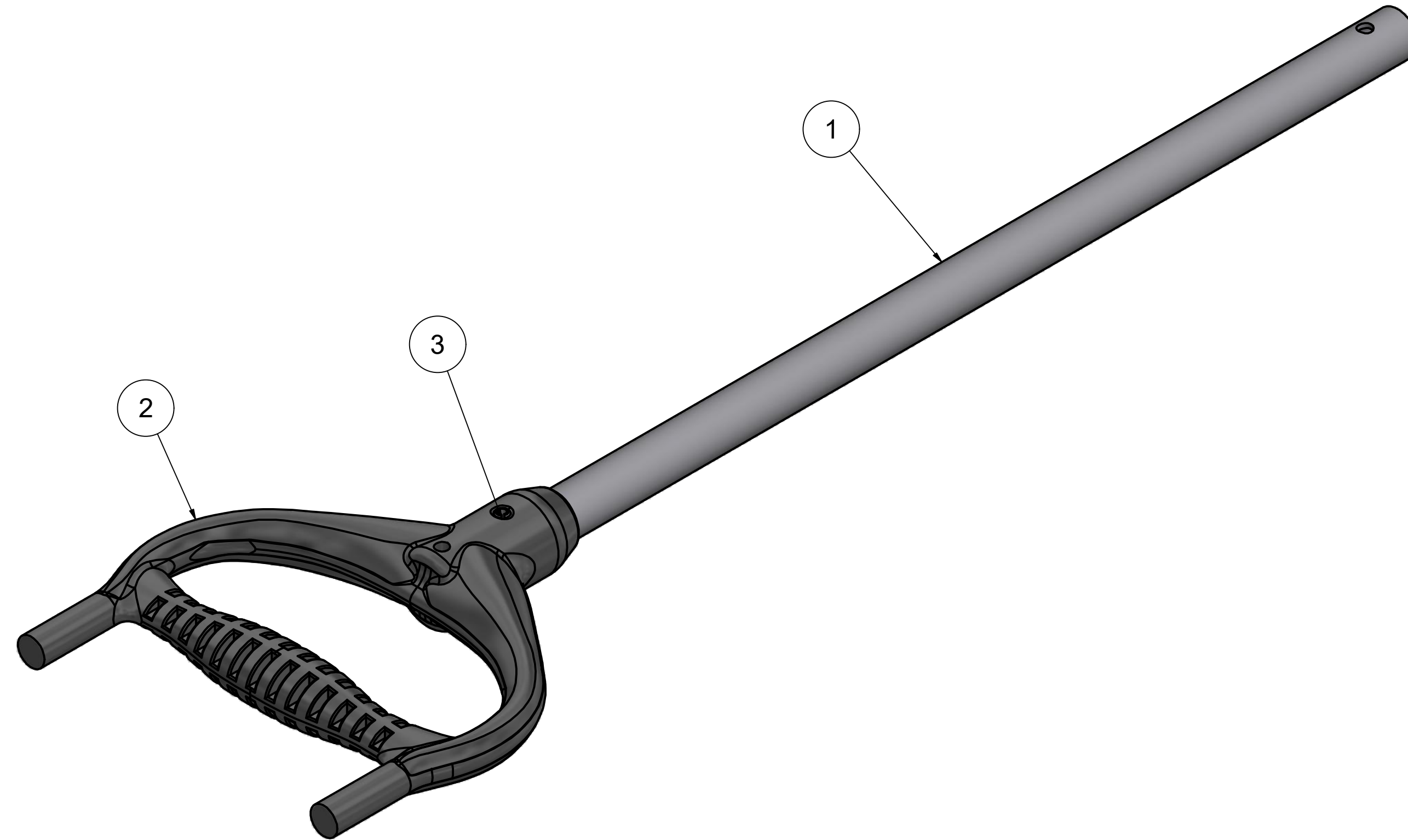
REV

A

SIZE C2B | NO DRAWING SCALE | SHEET 2 OF 7



# 5422 LATCH HANDLE PARTS



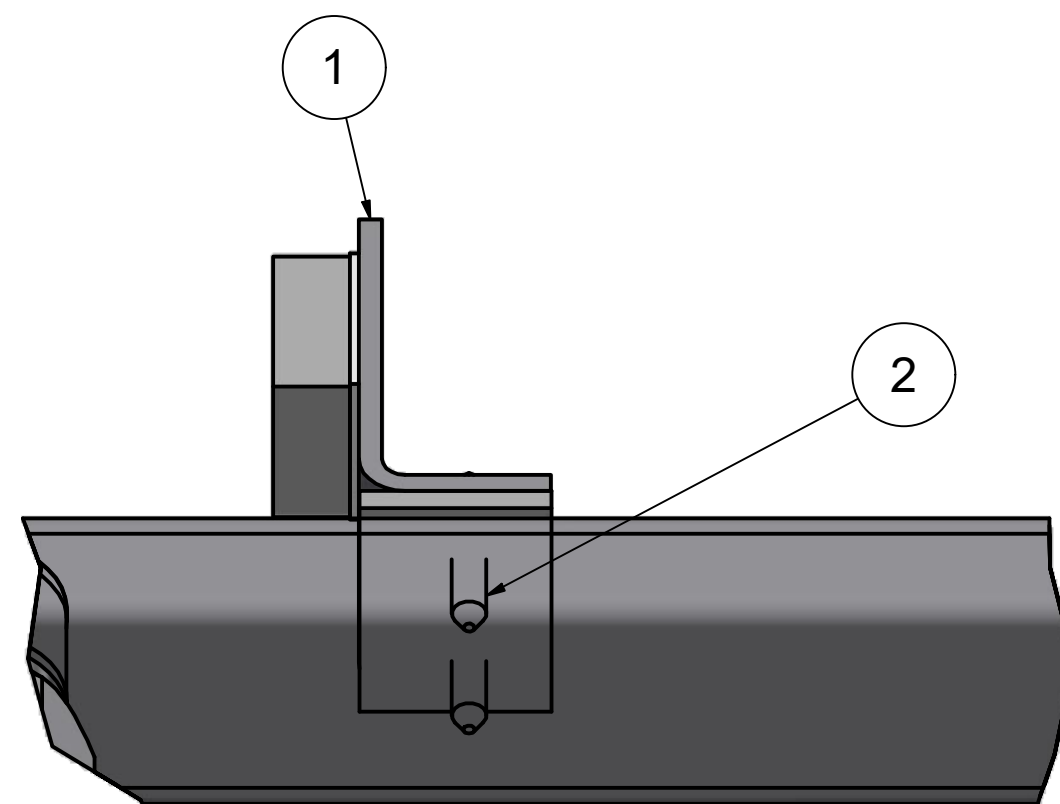
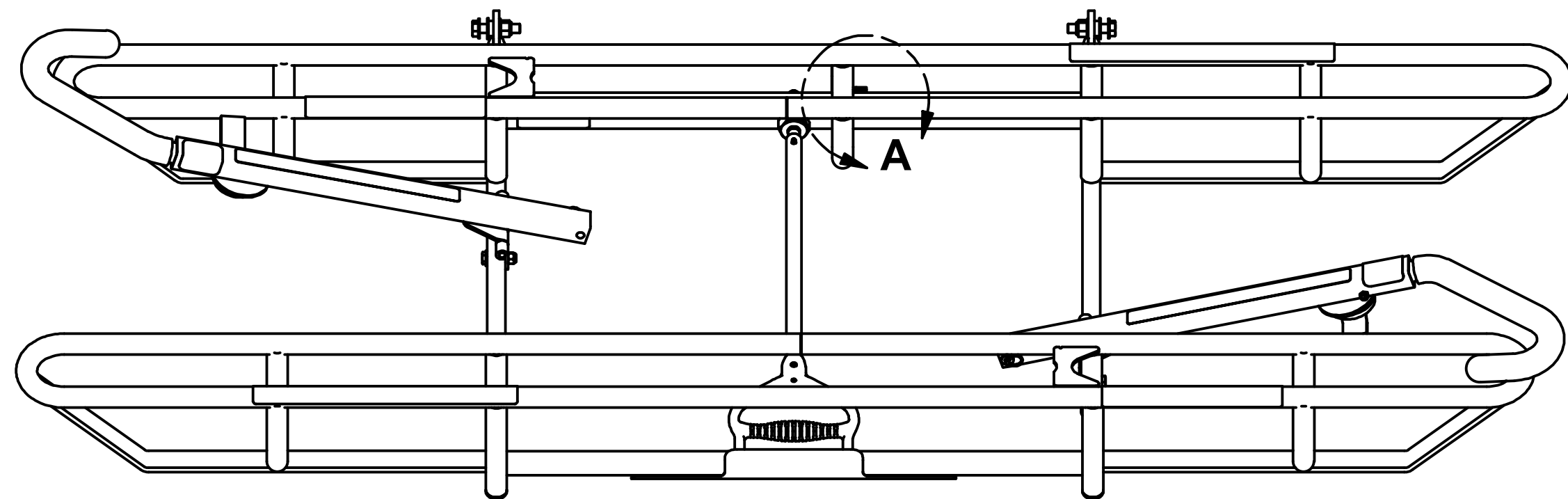
**PARTS LIST - 4 DIGIT P/Ns ARE NOT SET UP FOR SALE. PLEASE CONTACT SPORTWORKS FOR REPLACEMENT P/Ns**

ITEM	QTY	PART NO	TITLE
1	1	5423	DL2, NP Latch Handle Tube
2	1	5406	Molded Latch Handle - Black
3	1	5235	PIN, ROLL, .1875 x 1, 18-8 Stainless

<b>Sportworks Northwest, Inc.</b> 15540 Woodinville-Redmond Rd. NE, Bldg A-200 Woodinville, WA 98072, PH: 425-483-7000, FX: 425-488-9001	TITLE
	DL2 and DL2 NP Parts and Options Breakdown
PROPRIETARY: THIS IS PROPRIETARY INFORMATION AND IS NOT TO BE REFERENCED OR DISTRIBUTED WITHOUT PRIOR WRITTEN AUTHORIZATION OF SPORTWORKS NORTHWEST, INC.	DWG NO.
	100536, 100352, 100540, 100460, 100434
SIZE C2B	NO DRAWING SCALE
SHEET 3	OF 7

REV  
**A**

## DEPLOYMENT KIT PARTS (-DPLY OPTION)

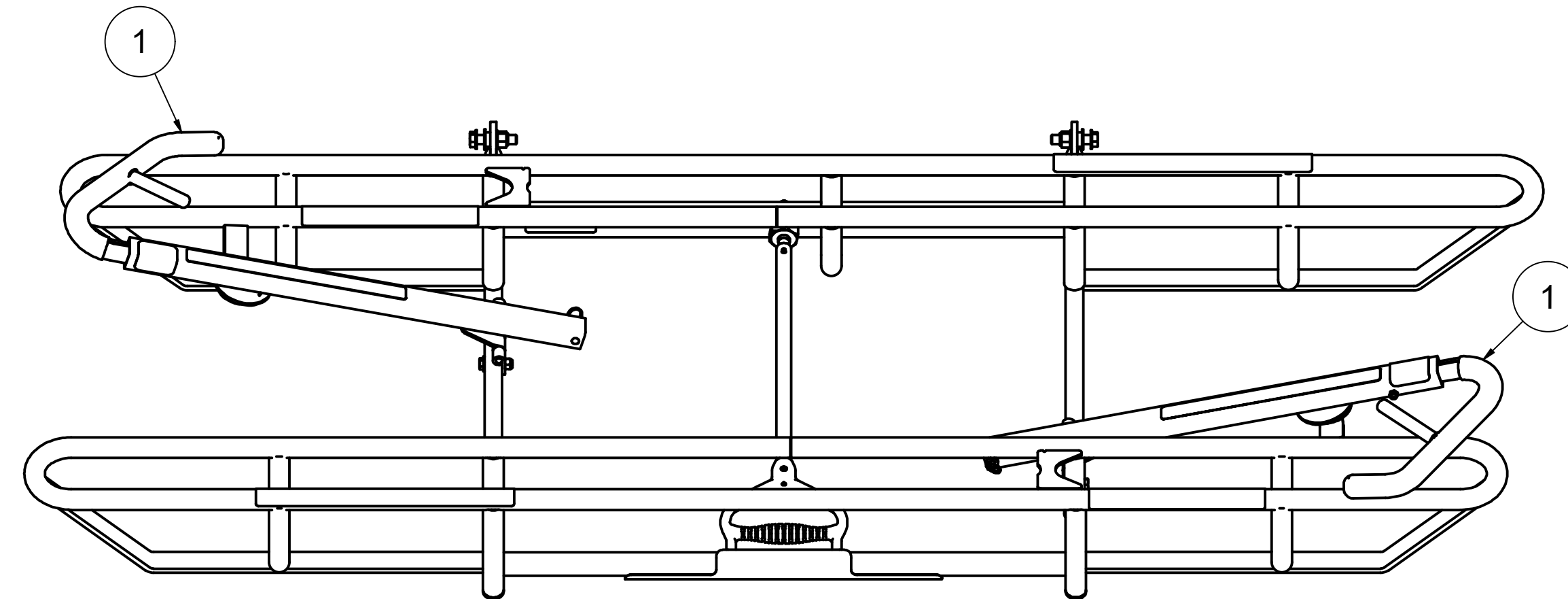


**DETAIL "A"**  
**PART OF FRAME WELDMENT**  
**HIDDEN FOR CLARITY**

**PARTS LIST - 4 DIGIT P/Ns ARE NOT SET UP FOR SALE. PLEASE CONTACT  
SPORTWORKS FOR REPLACEMENT P/Ns**

ITEM	QTY	PART NO	TITLE
1	1	9454	Magnet Subassembly, Deployment Kit - part of 100501
2	2	8854	HHCS, Self-Drilling, w/ Washer, #10 x .75, Stainless

## 16" COMPATIBLE ARM PARTS (-16 OPTION)



**PARTS LIST - 4 DIGIT P/Ns ARE NOT SET UP FOR SALE. PLEASE CONTACT  
SPORTWORKS FOR REPLACEMENT P/Ns**

ITEM	QTY	PART NO	TITLE
1	2	4064-PEN	Prebuild Support Arm Assembly, All Stainless, 16" , Ad Panel Compatible, Peened

**Sportworks Northwest, Inc.**

15540 Woodinville-Redmond Rd. NE, Bldg A-200  
Woodinville, WA 98072, PH: 425-483-7000, FX: 425-488-9001

PROPRIETARY: THIS IS PROPRIETARY INFORMATION AND IS NOT TO  
BE REFERENCED OR DISTRIBUTED WITHOUT PRIOR WRITTEN  
AUTHORIZATION OF SPORTWORKS NORTHWEST, INC.

TITLE

DL2 and DL2 NP Parts and Options Breakdown

DWG NO.

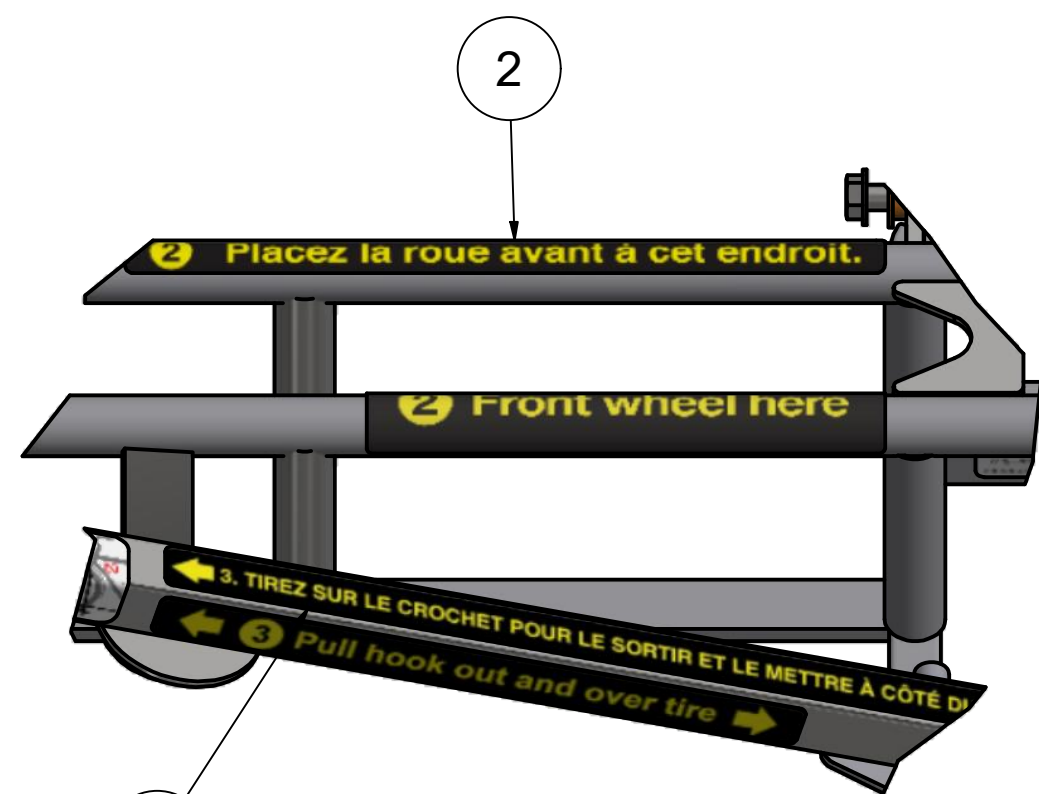
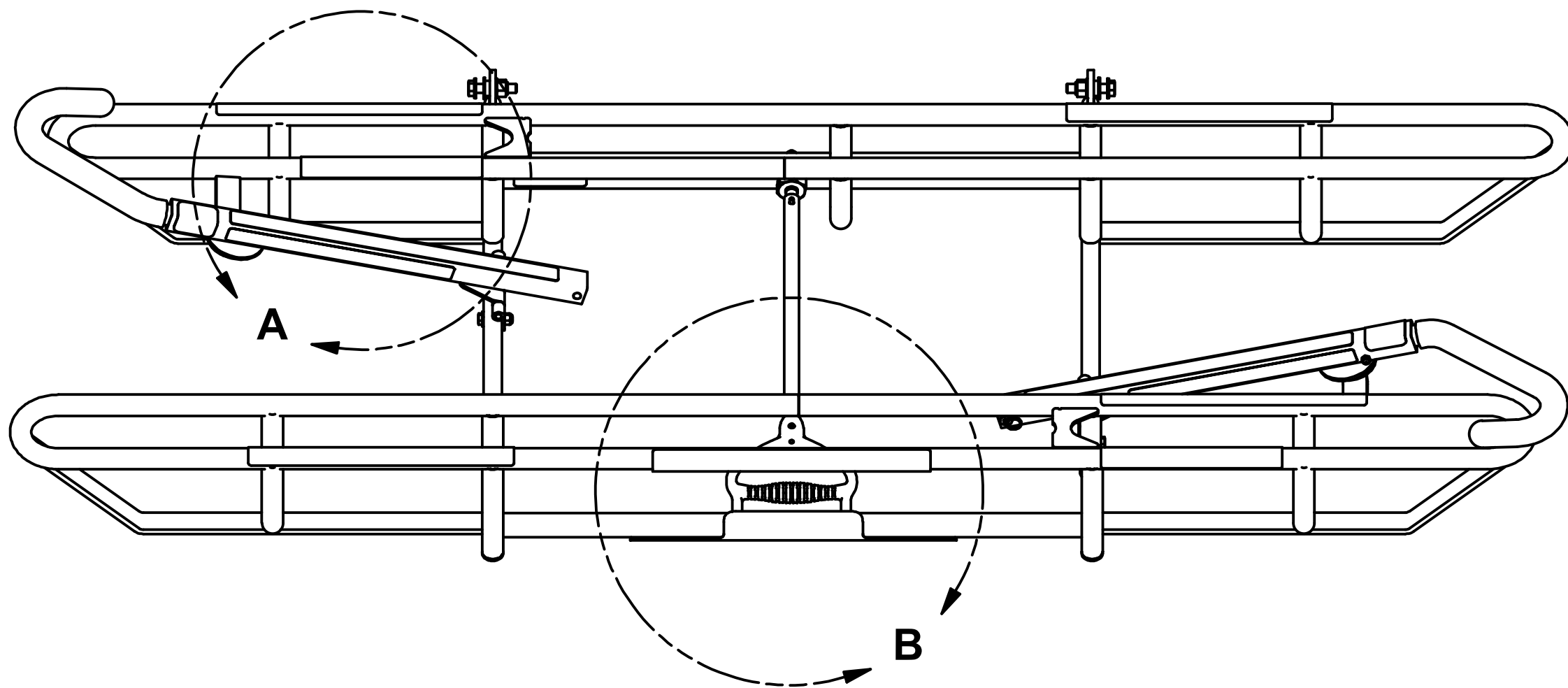
100536, 100352, 100540, 100460, 100434

REV

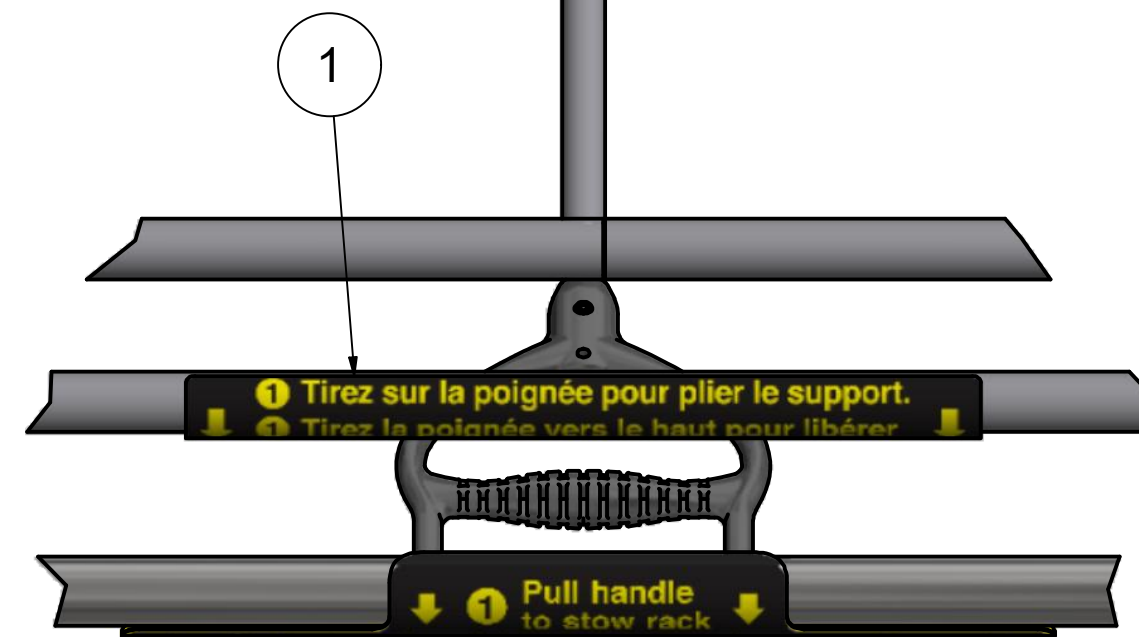
A

SIZE C2B | NO DRAWING SCALE | SHEET 4 OF 7

# FRENCH LABEL PARTS (-FRNCH OPTION)



3 **DETAIL "A"**

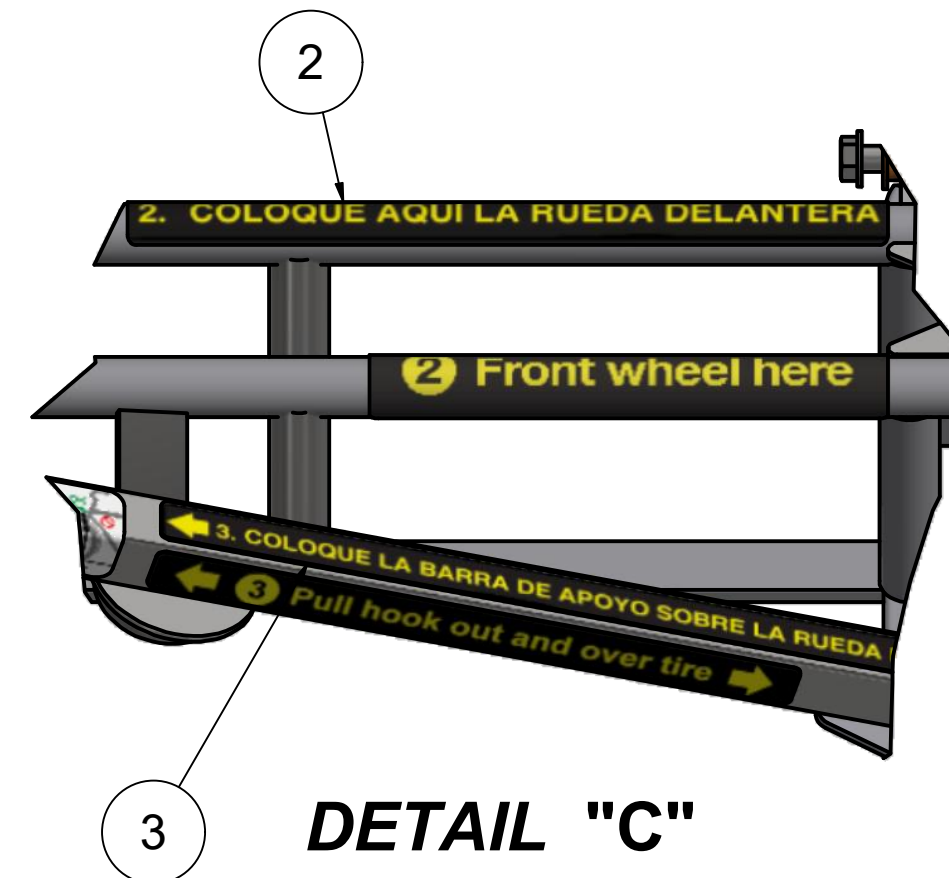
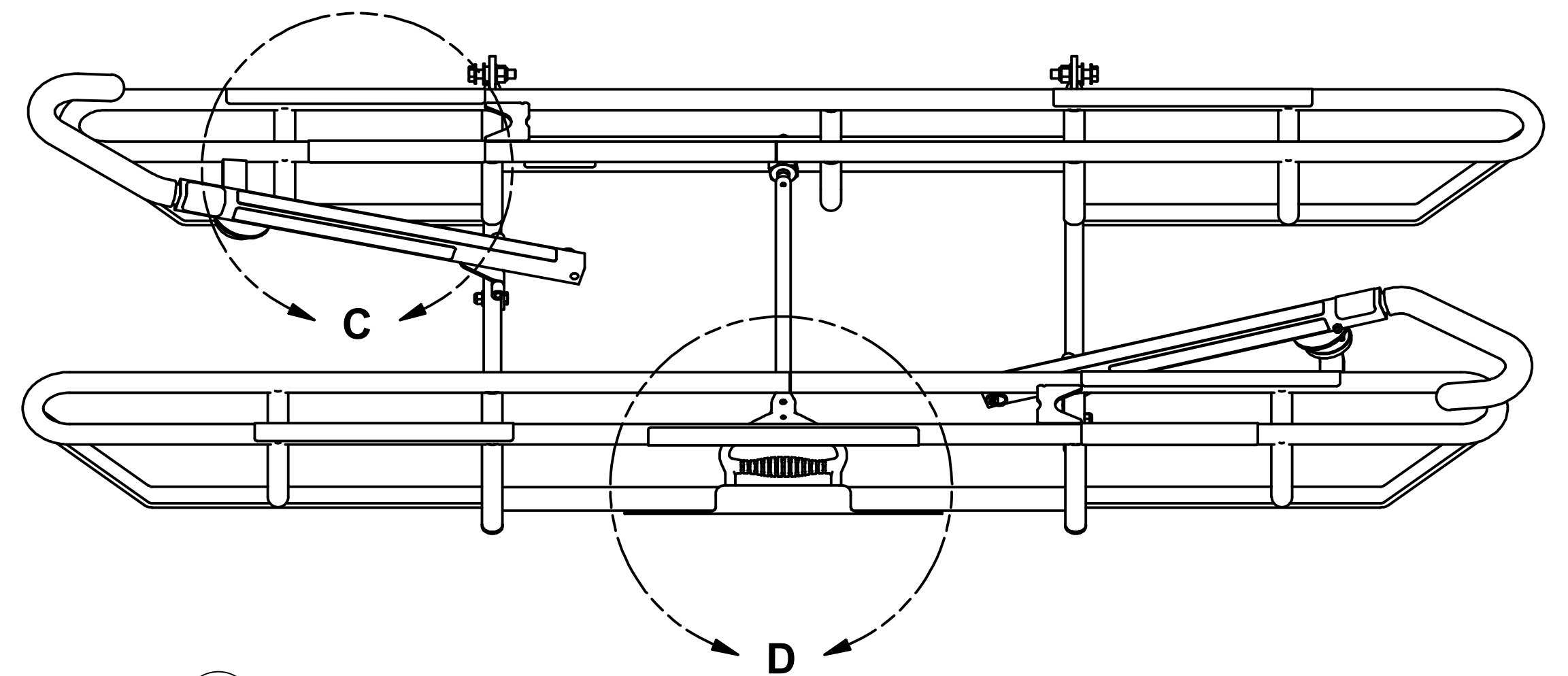


**DETAIL "B"**

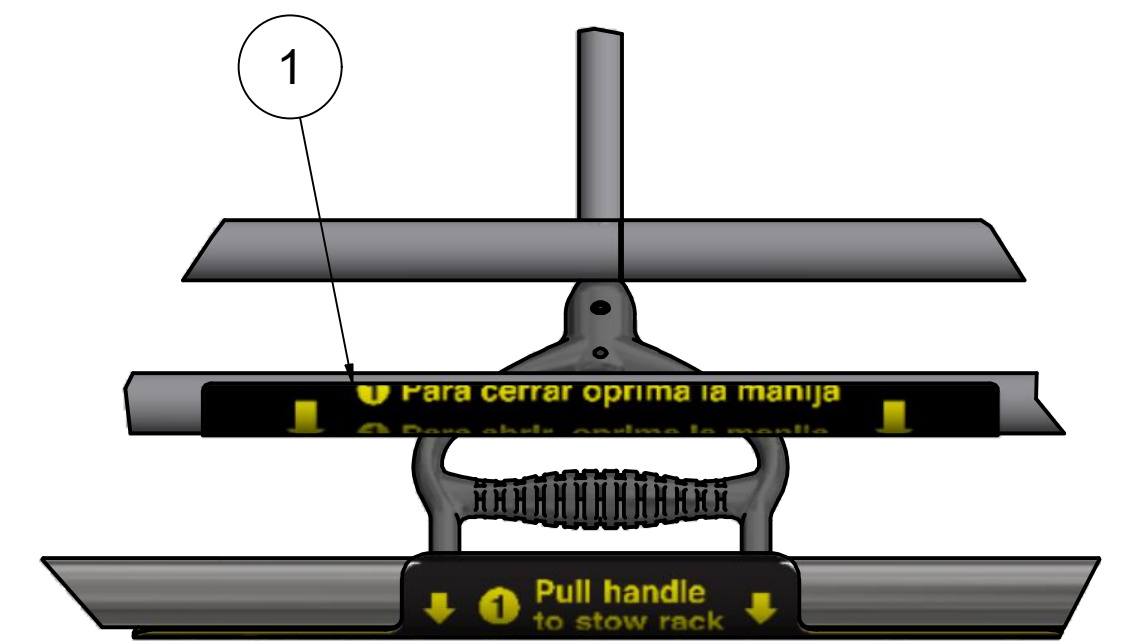
**PARTS LIST - 4 DIGIT P/Ns ARE NOT SET UP FOR SALE. PLEASE CONTACT SPORTWORKS FOR REPLACEMENT P/Ns**

ITEM	QTY	PART NO	TITLE
1	1	8889	LABEL, # 1, French, Tirez sur la poignée pour plier le support
2	2	8890	LABEL, # 2, French, Placez la roue avant a cet endroit
3	2	8891	LABEL, # 3, French, Tirez sur le crochet pour le sortir et le mettre a cote du pneu

# SPANISH LABEL PARTS (-SPAN OPTION)



3 **DETAIL "C"**



**DETAIL "D"**

**PARTS LIST - 4 DIGIT P/Ns ARE NOT SET UP FOR SALE. PLEASE CONTACT SPORTWORKS FOR REPLACEMENT P/Ns**

ITEM	QTY	PART NO	TITLE
1	1	7624	LABEL, 1., Bus Rack, Spanish
2	2	7625	LABEL, 2., COLOQUE AQUI...(Spanish)
3	2	7626	LABEL, 3. COLOQUE LA BARRA...(Spanish)

## Sportworks Northwest, Inc.

15540 Woodinville-Redmond Rd. NE, Bldg A-200  
Woodinville, WA 98072, PH: 425-483-7000, FX: 425-488-9001

PROPRIETARY: THIS IS PROPRIETARY INFORMATION AND IS NOT TO BE REFERENCED OR DISTRIBUTED WITHOUT PRIOR WRITTEN AUTHORIZATION OF SPORTWORKS NORTHWEST, INC.

TITLE

DL2 and DL2 NP Parts and Options Breakdown

DWG NO.

100536, 100352, 100540, 100460, 100434

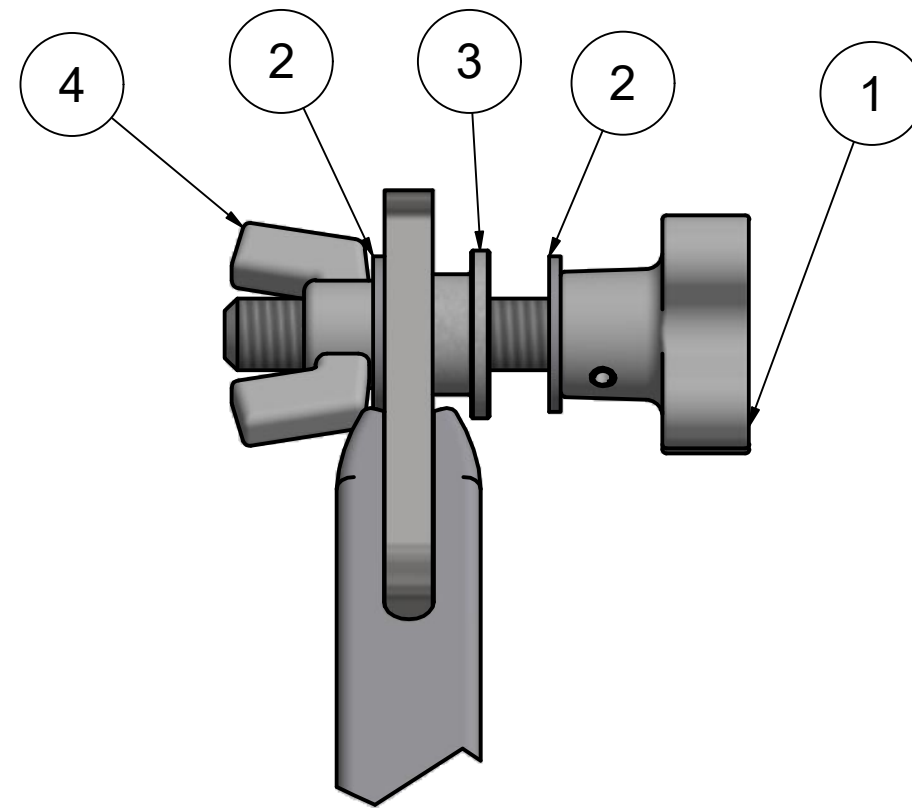
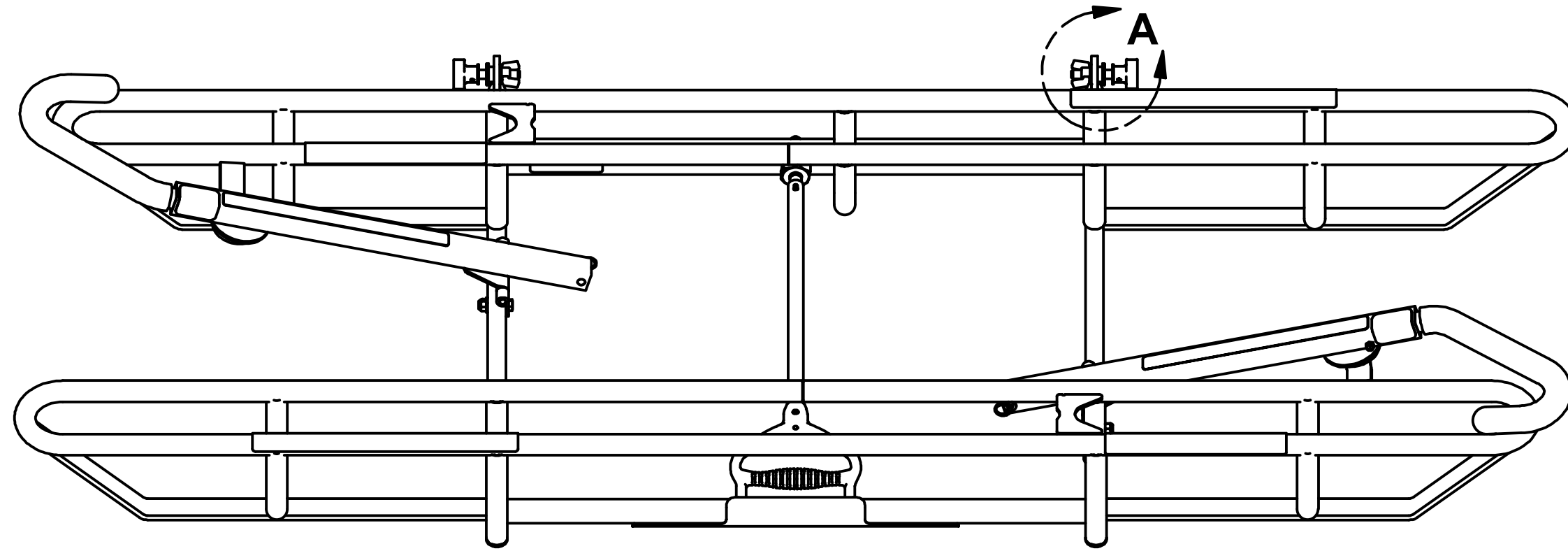
REV

A

SIZE C2B | NO DRAWING SCALE | SHEET 5 OF 7



# QUICK RELEASE PIVOT BOLT PARTS (-QR OPTION)



**DETAIL "A"**

**FRAME PARTIALLY HIDDEN FOR CLARITY**

**PARTS LIST - 4 DIGIT P/Ns ARE NOT SET UP FOR SALE. PLEASE CONTACT SPORTWORKS FOR REPLACEMENT P/Ns**

ITEM	QTY	PART NO	TITLE
1	2	7260-PLT	Star Knob, Hand, 3/8-16 x 1.75, Stainless Stud, Al knob
2	4	7013	WASHER, FLAT, 3/8 SS
3	2	4070	BEARING, FLANGE, .625 OD x .375 ID x .5L W/ .875 OD x .063-.125 THK Flange, 17-4PH SS
4	2	7110	NUT, WING, 3/8-16, Nylock, Zinc diecast, Zinc 1

## NOTES

1. THIS QUICK RELEASE PIVOT HARDWARE STACK REPLACES THE STANDARD HARDWARE STACK WHEN THIS OPTION IS SPECIFIED

**Sportworks Northwest, Inc.**

15540 Woodinville-Redmond Rd. NE, Bldg A-200  
Woodinville, WA 98072, PH: 425-483-7000, FX: 425-488-9001

PROPRIETARY: THIS IS PROPRIETARY INFORMATION AND IS NOT TO BE REFERENCED OR DISTRIBUTED WITHOUT PRIOR WRITTEN AUTHORIZATION OF SPORTWORKS NORTHWEST, INC.

TITLE

DL2 and DL2 NP Parts and Options Breakdown

DWG NO.

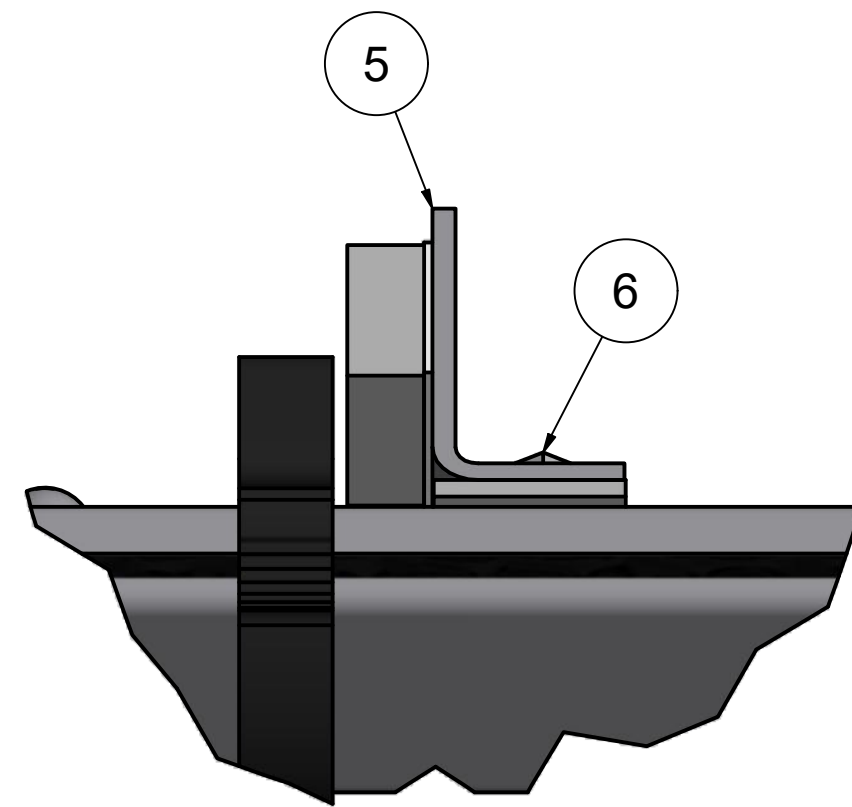
100536, 100352, 100540, 100460, 100434

REV

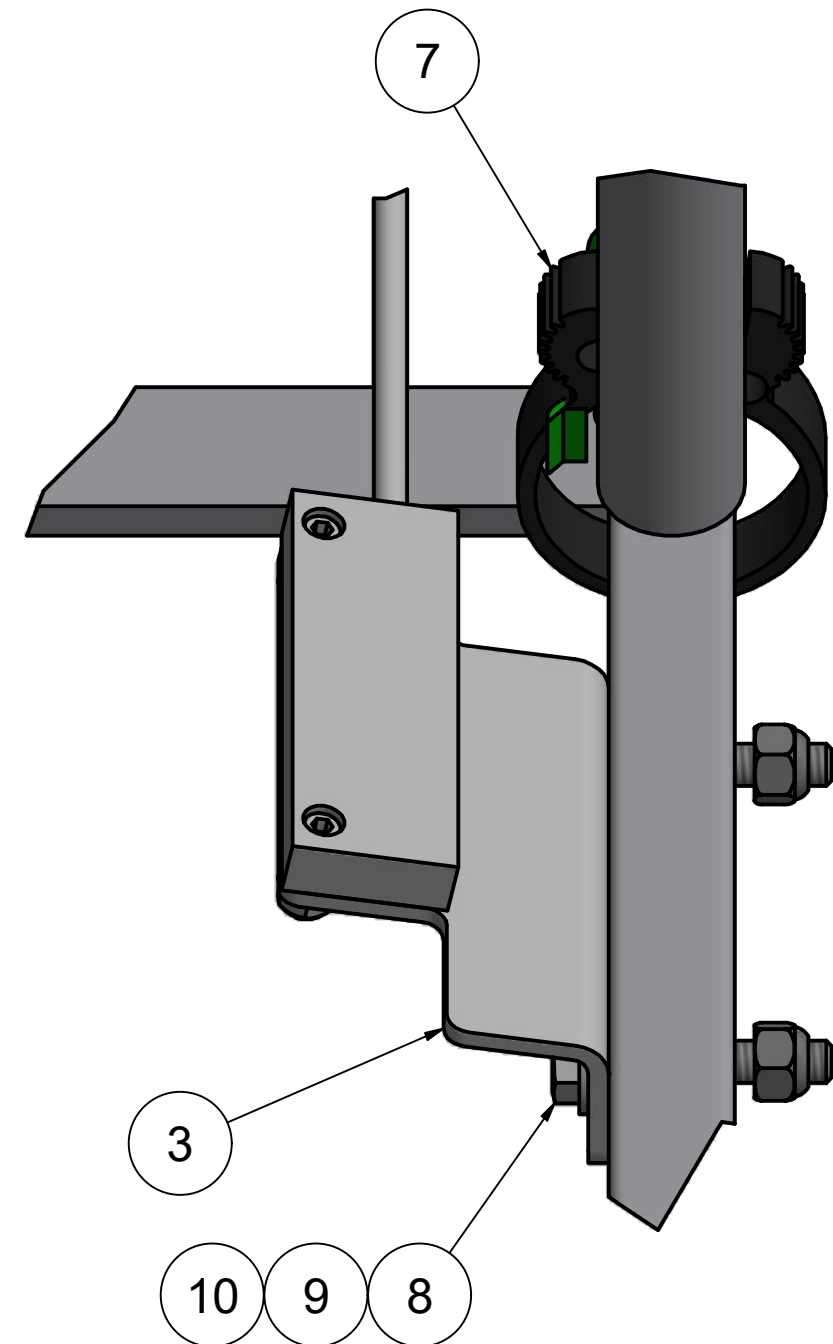
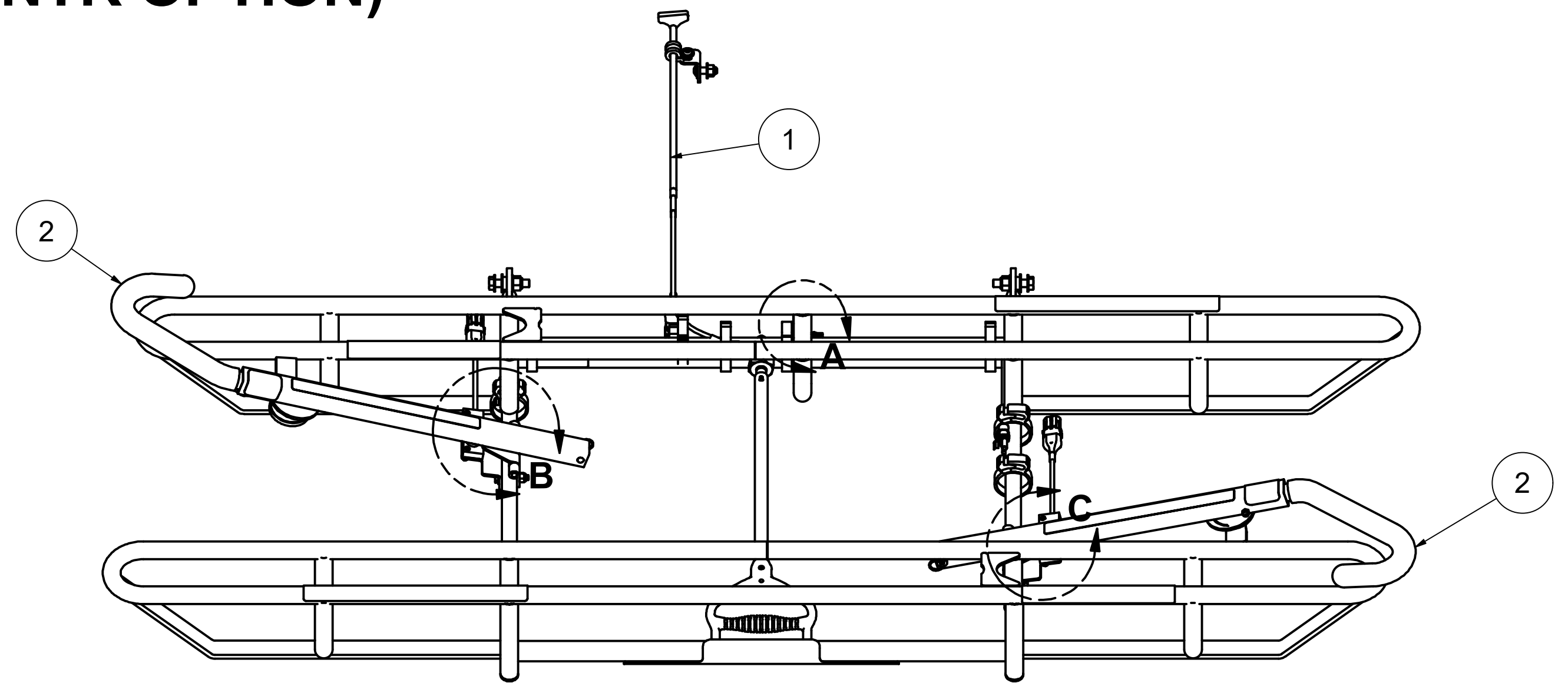
A

SIZE C2B | NO DRAWING SCALE | SHEET 6 OF 7

# BIKE COUNTER KIT PARTS (-CNTR OPTION)



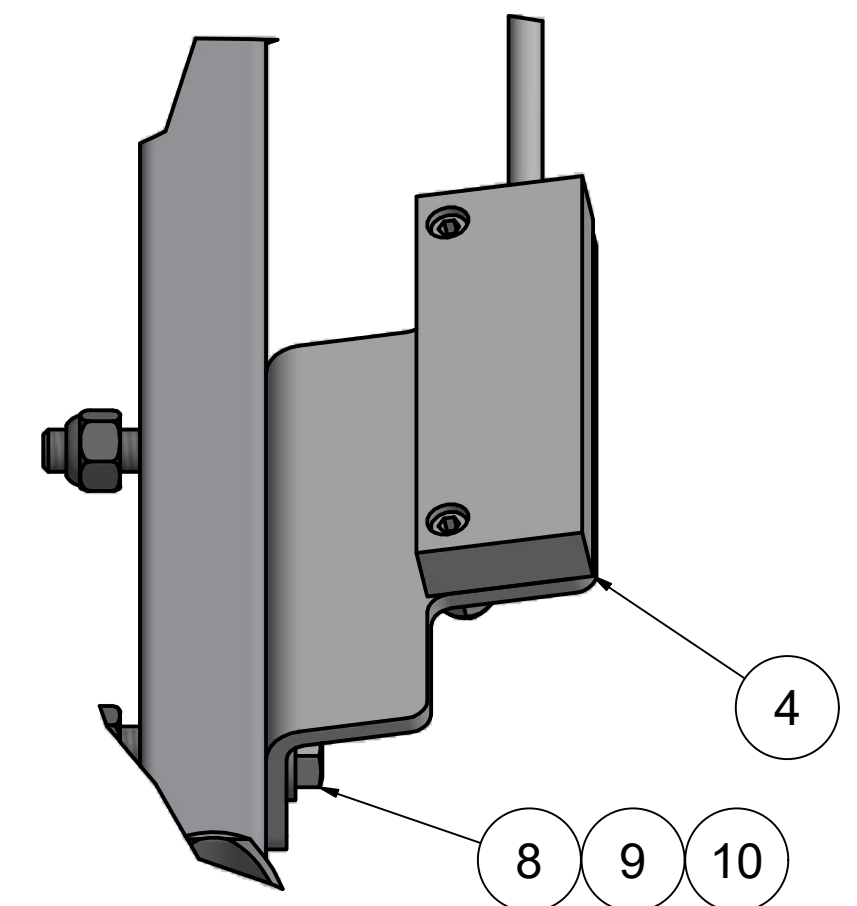
**DETAIL "A"**



**DETAIL "B"**

**PARTS LIST - 4 DIGIT P/Ns ARE NOT SET UP FOR SALE. PLEASE CONTACT SPORTWORKS FOR REPLACEMENT P/Ns**

ITEM	QTY	PART NO	TITLE
1	1	5479	Cable Guide Harness Sub, NP, DL2, Apex 2
2	2	8292-PEN-CNTR	Prebuild Support Arm Assembly, All Stainless, Peened, Counter Magnet
3	1	5471	Support Arm Counter Switch Sub, Curb Side
4	1	5472	Support Arm Counter Switch Sub, Street Side
5	1	9454	Magnet Subassembly, Deployment Kit - part of 100501
6	2	8854	HHCS, Self-Drilling, w/ Washer, #10 x .75, Stainless
7	8	5467	Double Snap-Grip Nylon Hose and Tube Clamp, Size Q, 1-11/32" to 1-1/2" Clamp Diameter Range
8	4	7004	HHCS, 1/4-20 x 1.5, Stainless
9	4	7012	WASHER, FLAT, 1/4 SS
10	4	7009	NUT, HEX, 1/4-20, Nylock, Stainless



**DETAIL "C"**

**Sportworks Northwest, Inc.**

15540 Woodinville-Redmond Rd. NE, Bldg A-200  
Woodinville, WA 98072, PH: 425-483-7000, FX: 425-488-9001

PROPRIETARY: THIS IS PROPRIETARY INFORMATION AND IS NOT TO BE REFERENCED OR DISTRIBUTED WITHOUT PRIOR WRITTEN AUTHORIZATION OF SPORTWORKS NORTHWEST, INC.

TITLE

DL2 and DL2 NP Parts and Options Breakdown

DWG NO.

100536, 100352, 100540, 100460, 100434

REV

A

SIZE C2B | NO DRAWING SCALE | SHEET 7 OF 7