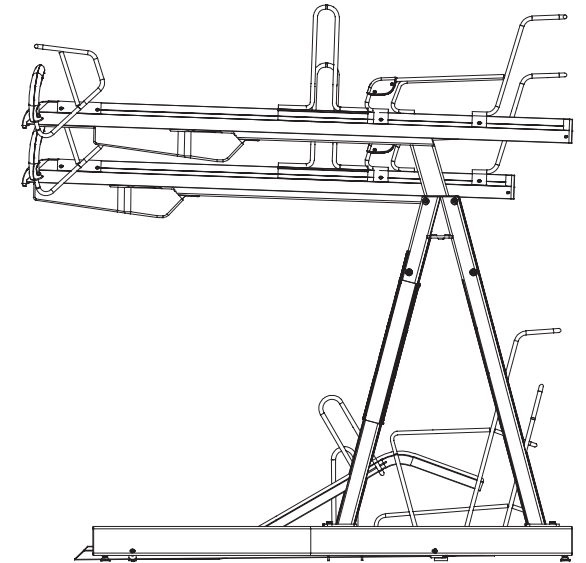


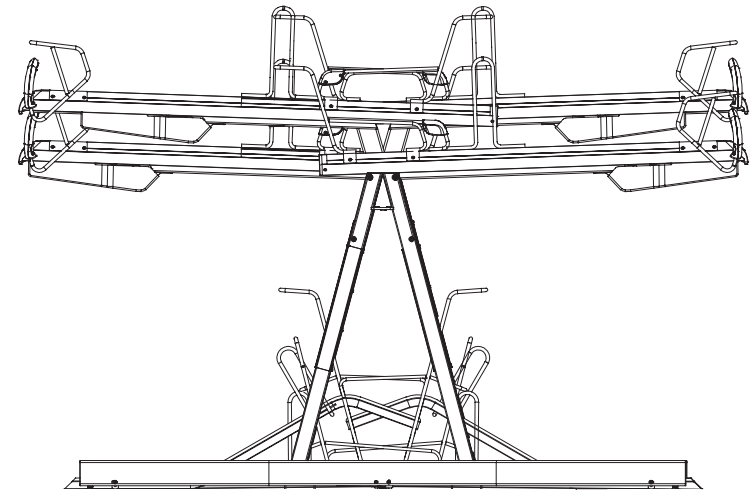


Two-tier Bike Parking

Easylift Premium is the most user-friendly and reliable two-tier bicycle parking system on the market. Designed for long-term and intensive use in both indoor and outdoor locations, the two-tier bicycle parking system allows cyclists to park their bikes even when space is at a premium. Bicycle facilities become tidier, safer, and less cluttered. Based on a lightweight aluminum tray design and integrated gas spring lift-assist system, storing your bicycle on the upper rack couldn't be easier. 30,000 bike spaces are sold worldwide annually and counting.



SINGLE SIDED



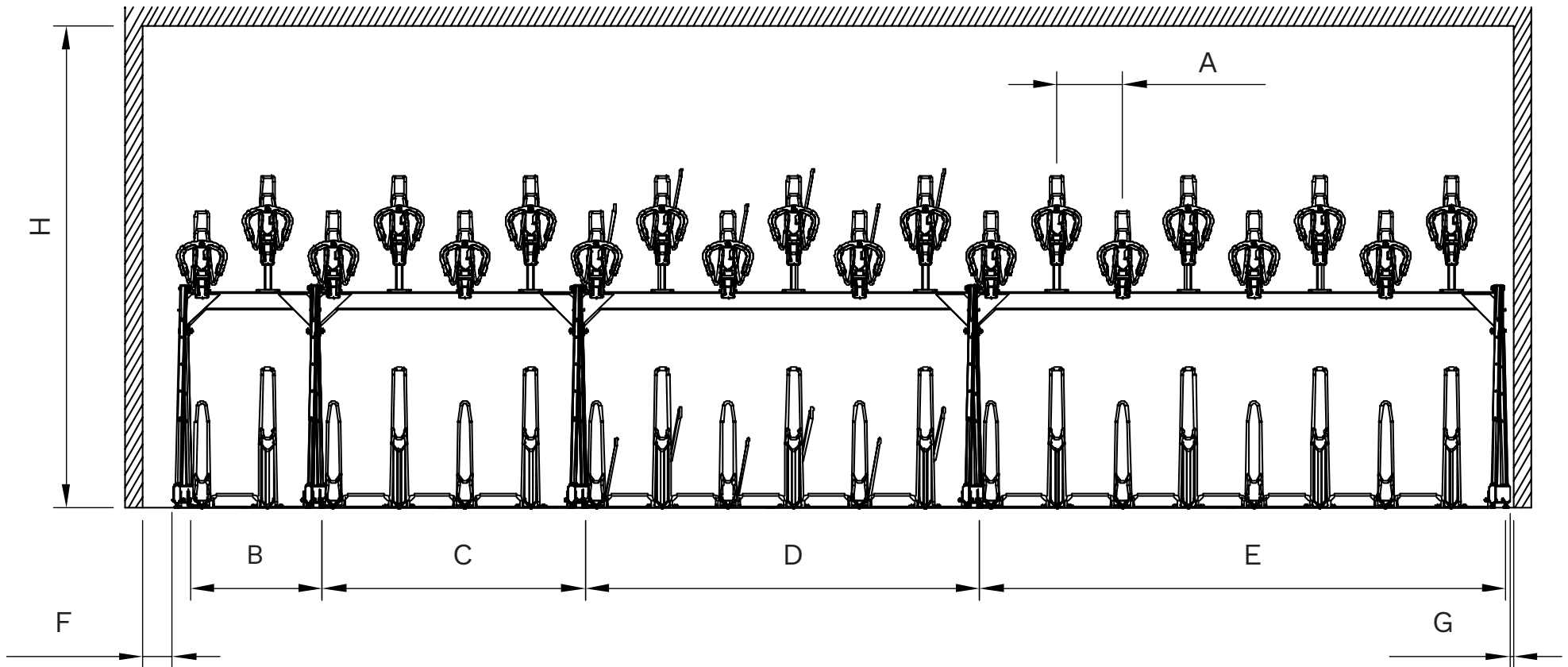
DOUBLE SIDED

Key Benefits

- Extremely easy to use
- Quiet rolling components
- Lift-assisted upper trays
- Ergonomic non-slip handle
- Lowest tray loading position
- Easy bike loading
- Secure against theft and vandalism
- Stainless steel tamperproof hardware
- Controlled 'hands free' descent
- Lightweight aluminum upper tray

- U-lock compatible
- Low maintenance
- Galvanized and Powder Coat
- 1 Year Warranty
- 50 day lead time

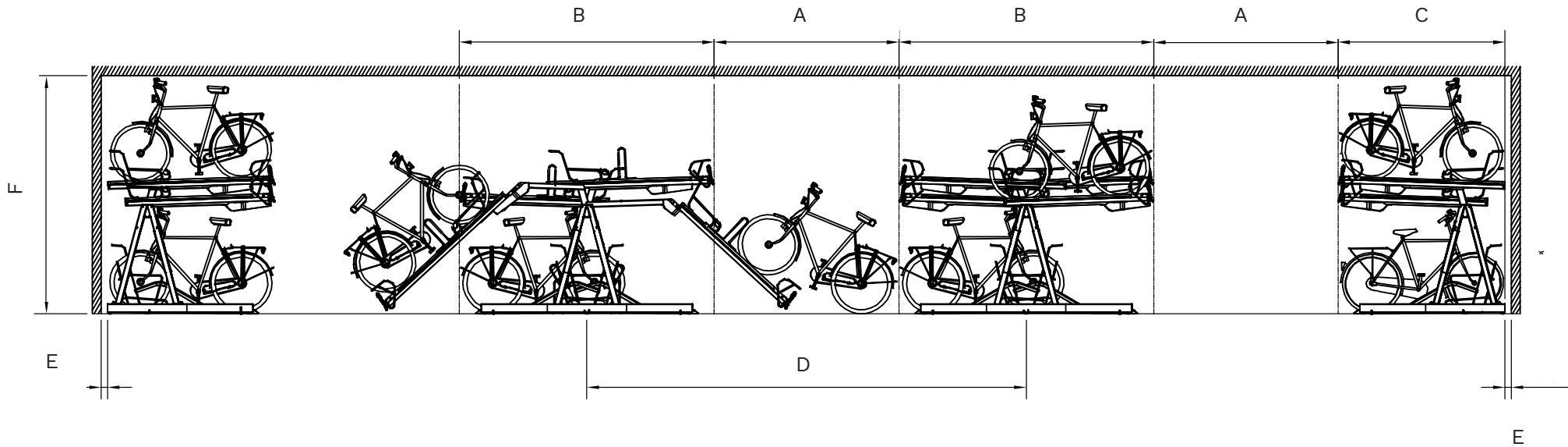
Dimensions and Clearances



	A		B		C		D		E		F		G		H-REC.		H-MIN.	
	US	Metric	US	Metric	US	Metric	US	Metric	US	Metric	US	Metric	US	Metric	US	Metric	US	Metric
15" SPACING	14.8"	375	29.5"	750	59.1"	1500	88.6"	2250	118.2"	3000	6.7"	170	.78"	20	108.3"	2750	105"	2667
16" SPACING	15.7"	400	31.5"	800	63"	1600	94.5"	2400	125.9"	3200	6.7"	170	.78"	20	108.3"	2750	105"	2667
18" SPACING	17.7"	450	35.4"	900	70.9"	1800	106.3"	2700	141.7"	3600	6.7"	170	.78"	20	108.3"	2750	105"	2667

ALL METRIC DIMENSIONS IN MM

Dimensions and Clearances



A-REC.		A-MIN.		B		C		D-REC		D-MIN		E		F-REC.		F-MIN.	
US	Metric	US	Metric	US	Metric	US	Metric	US	Metric	US	Metric	US	Metric	US	Metric	US	Metric
82.7"	2100	59"	1500	114.2"	2900	74.8"	1900	196.8"	5000	173.2"	4400	.78"	20	108.3"	2750	105"	2667

ALL METRIC DIMENSIONS IN MM