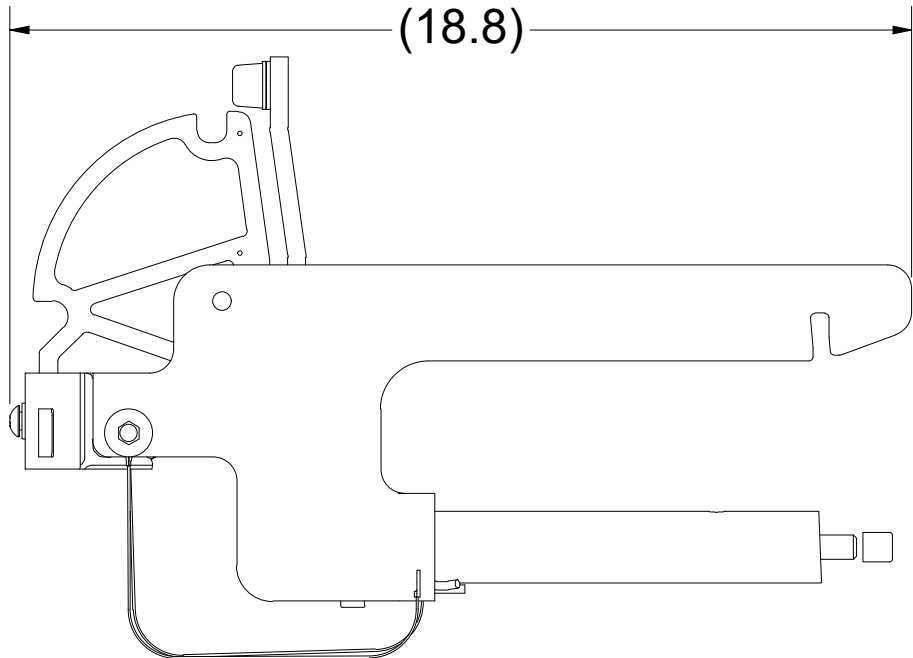
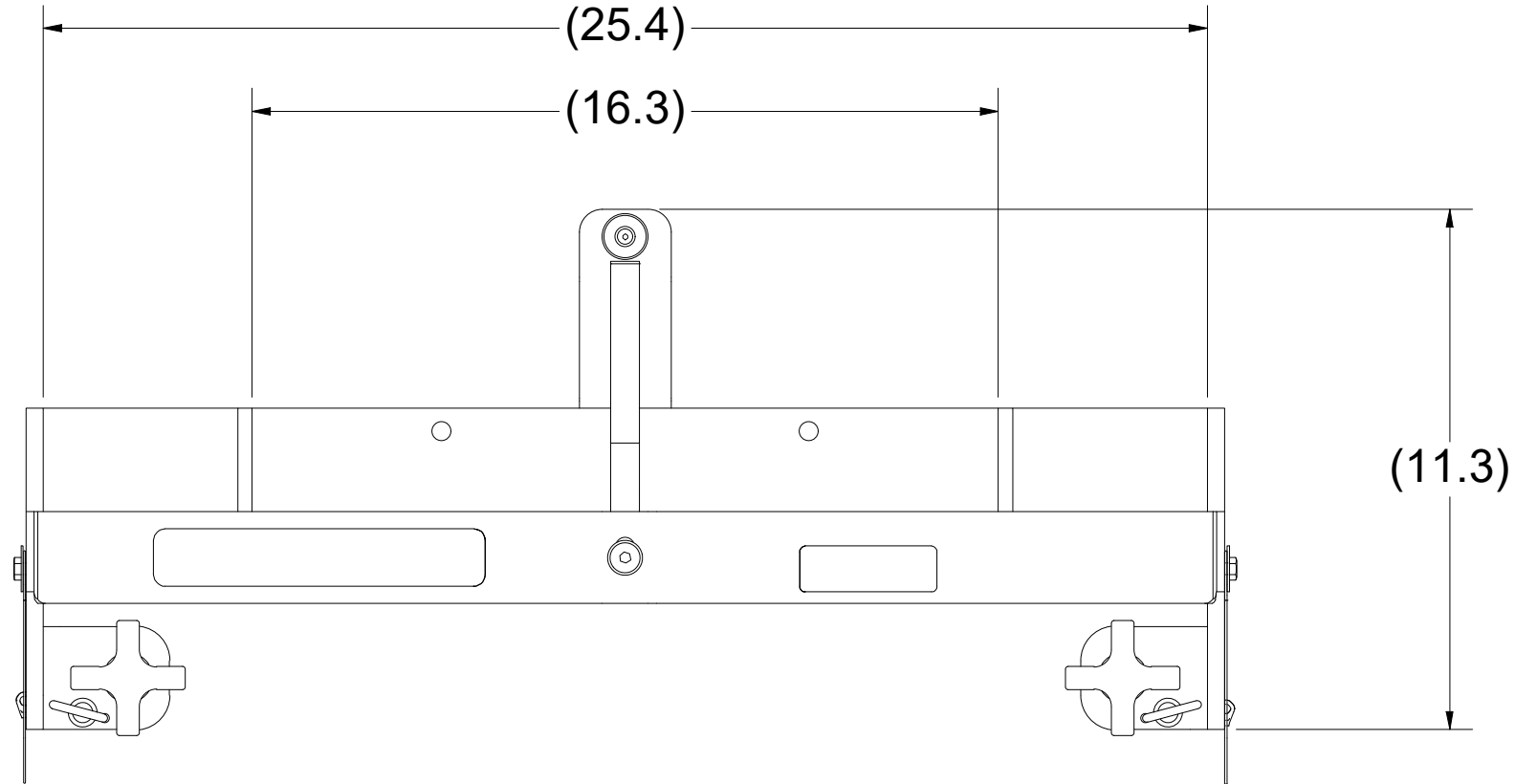
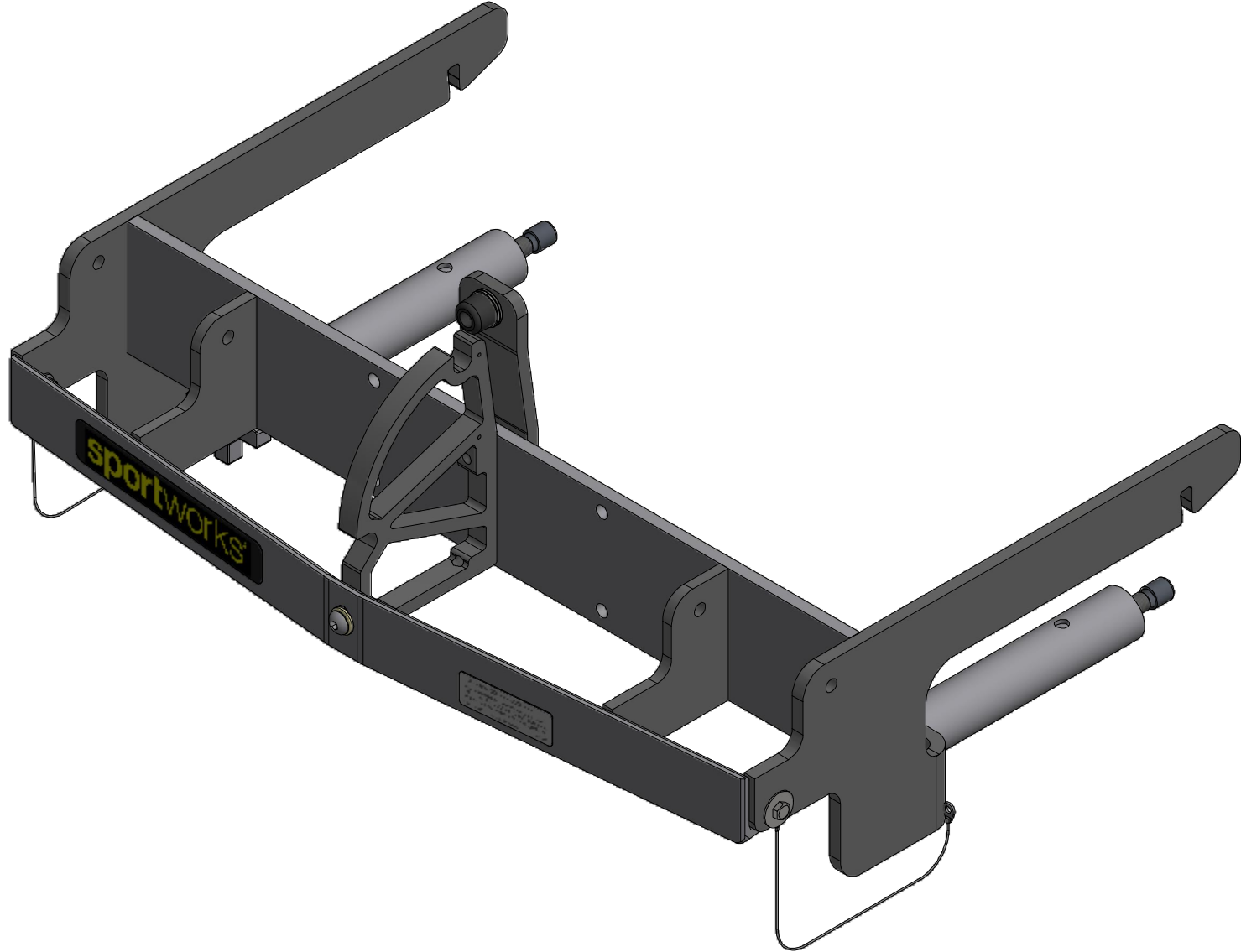
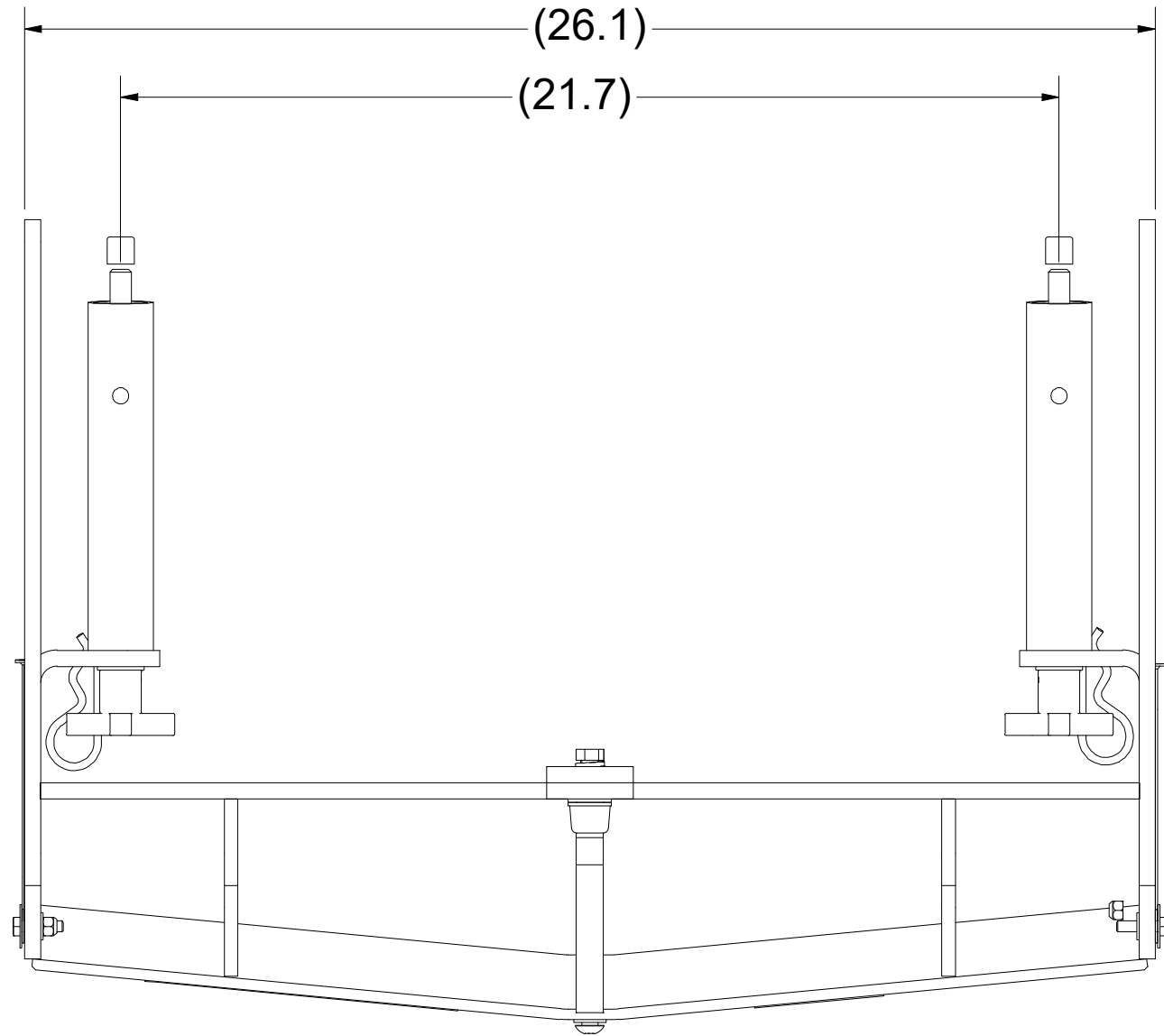


# 100626 FAMILY

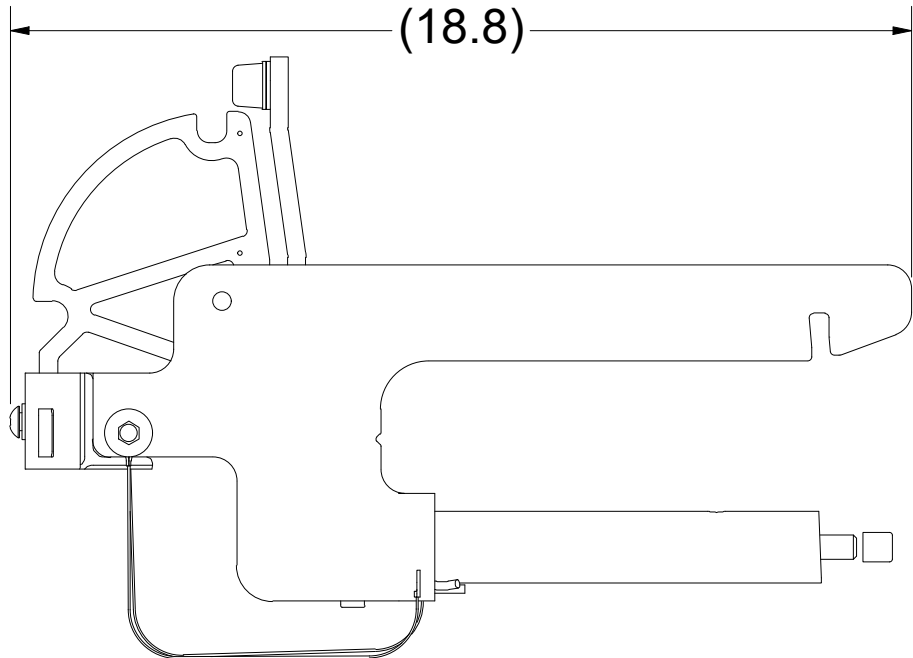
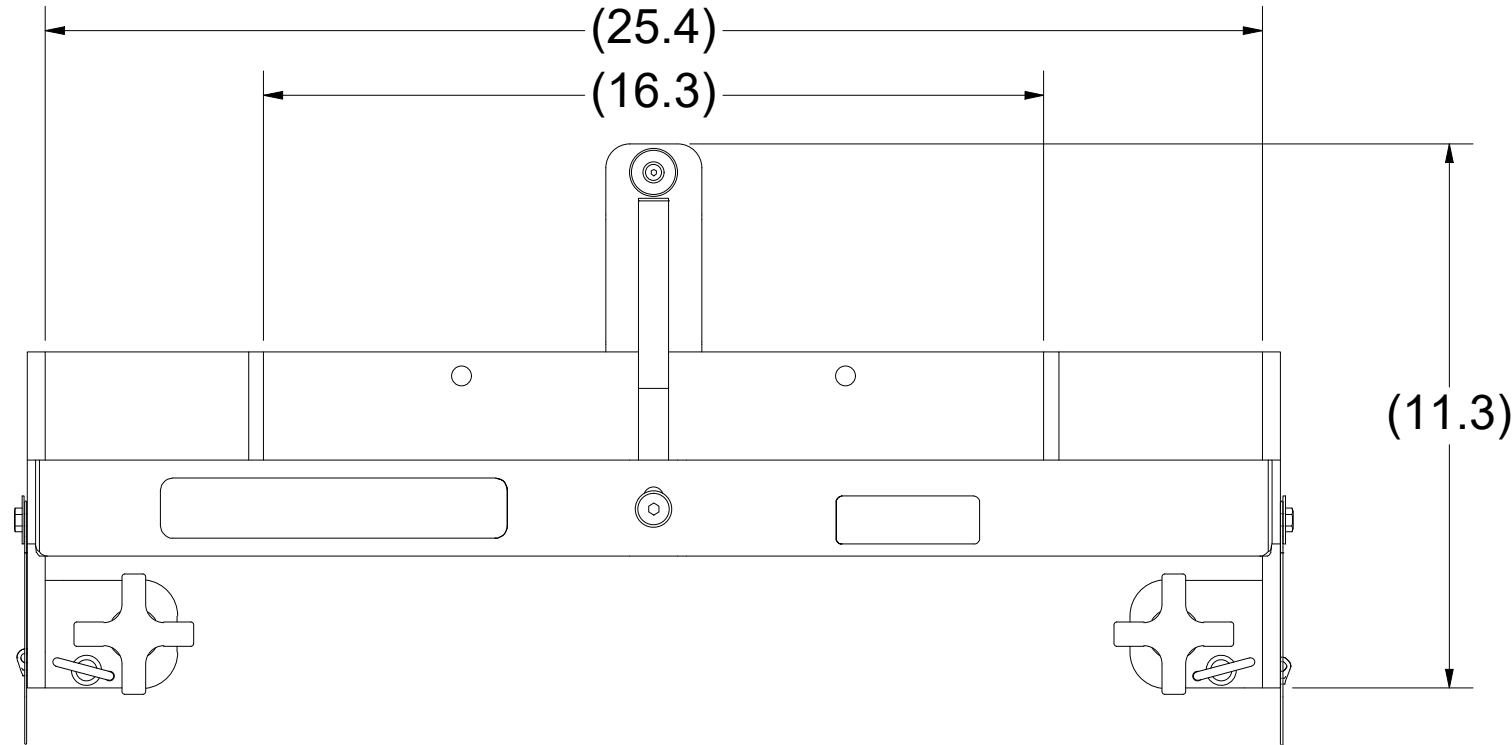
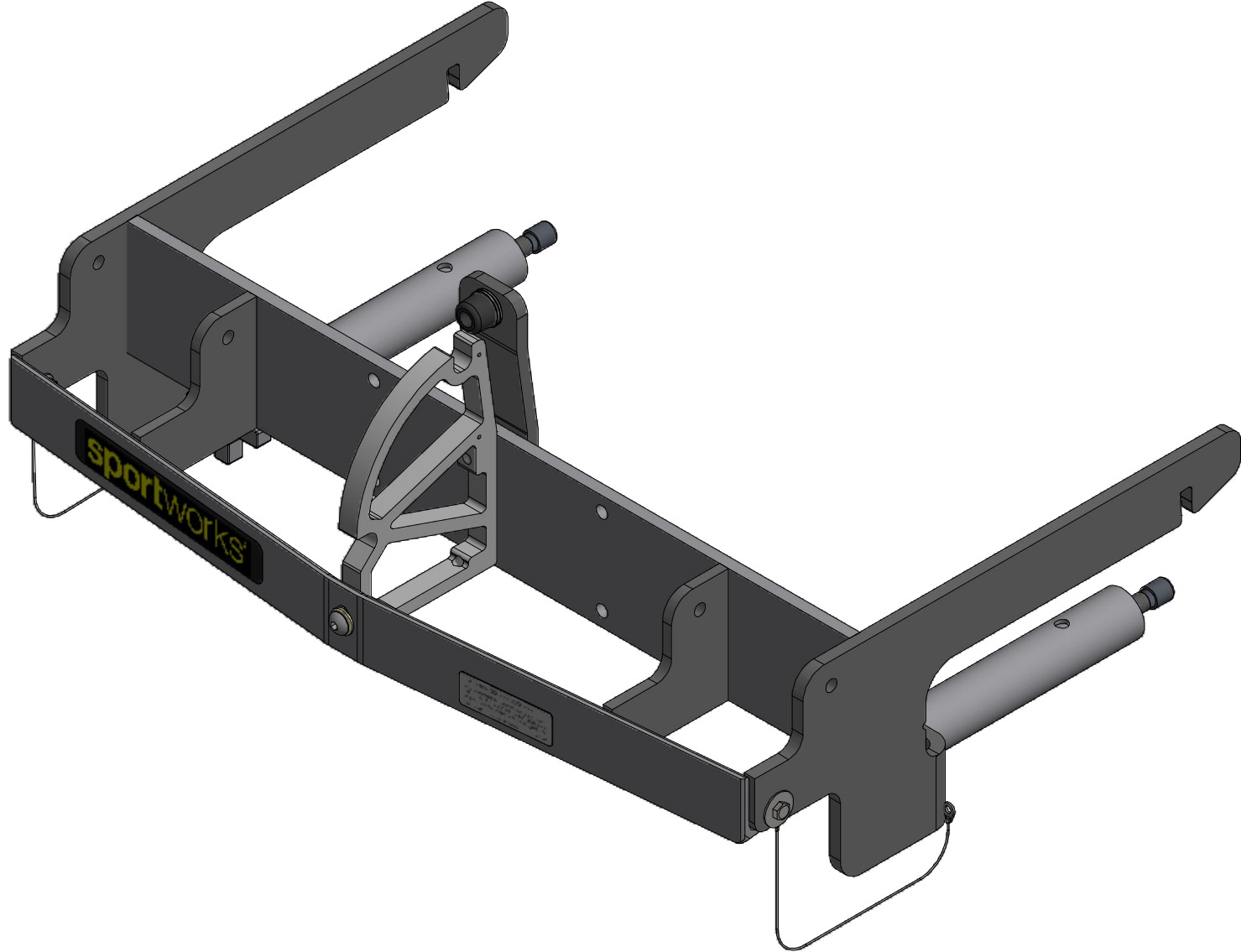
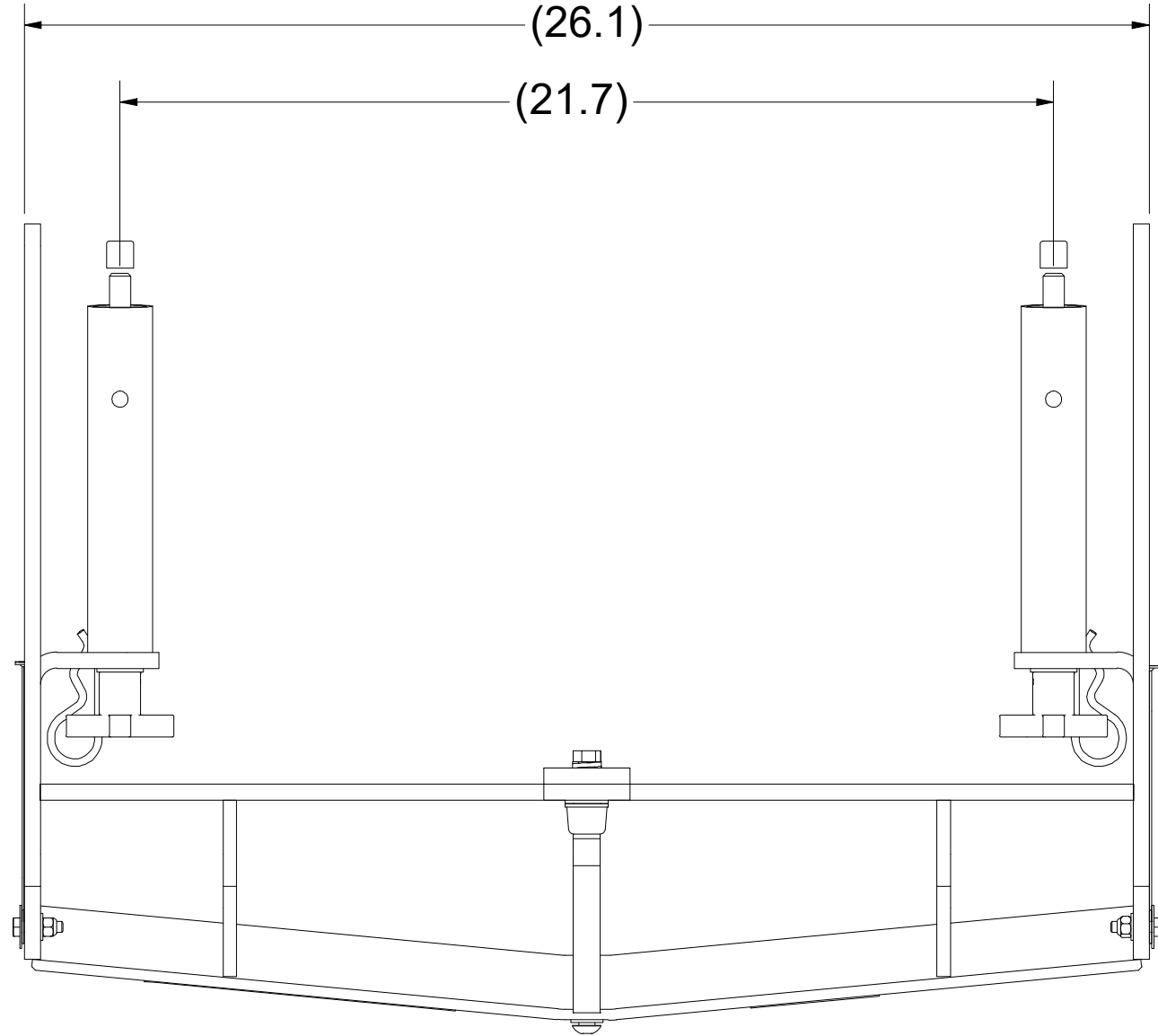


**NOTES**  
 1. APPRX. WEIGHT: 38 LBS

|   |  |  |  |
|---|--|--|--|
| <b>Sportworks Northwest, Inc.</b><br>15540 Woodinville-Redmond Rd. NE, Bldg A-200<br>Woodinville, WA 98072, PH: 425-483-7000, FX: 425-488-9001            |  | TITLE<br>Standard TSBs - Dimensions          |  |
| PROPRIETARY: THIS IS PROPRIETARY INFORMATION AND IS NOT TO BE REFERENCED OR DISTRIBUTED WITHOUT PRIOR WRITTEN AUTHORIZATION OF SPORTWORKS NORTHWEST, INC. |  | DWG NO.<br><b>Standard TSBs - Dimensions</b> |  |
| REV<br><b>A</b>   |  | SIZE C2B   NO DRAWING SCALE   SHEET 1 OF 6   |  |

| REV | INITIAL RELEASE DESCRIPTION | DATE       | BY  | CHK |
|-----|-----------------------------|------------|-----|-----|
| A   |                             | 12/30/2020 | GMC | JMS |

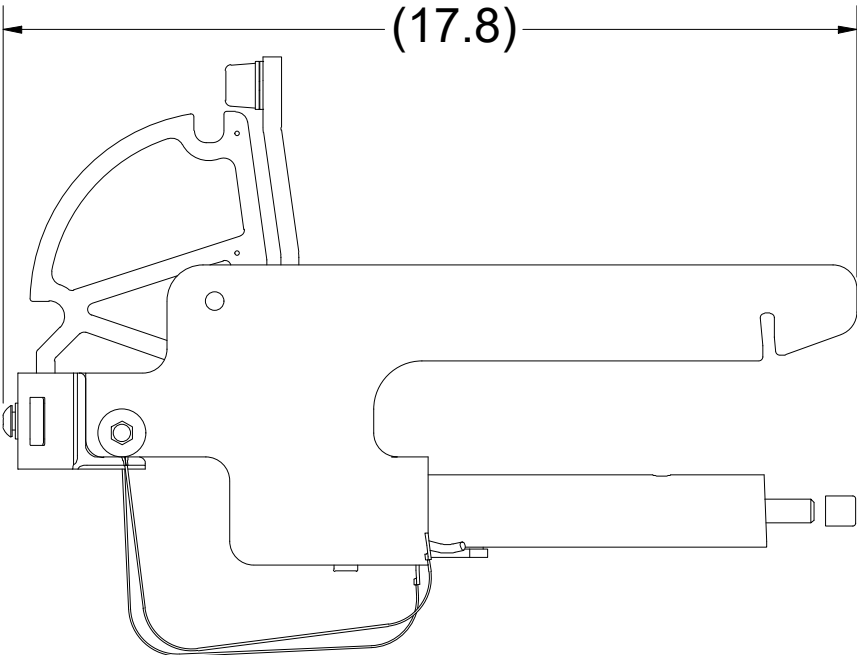
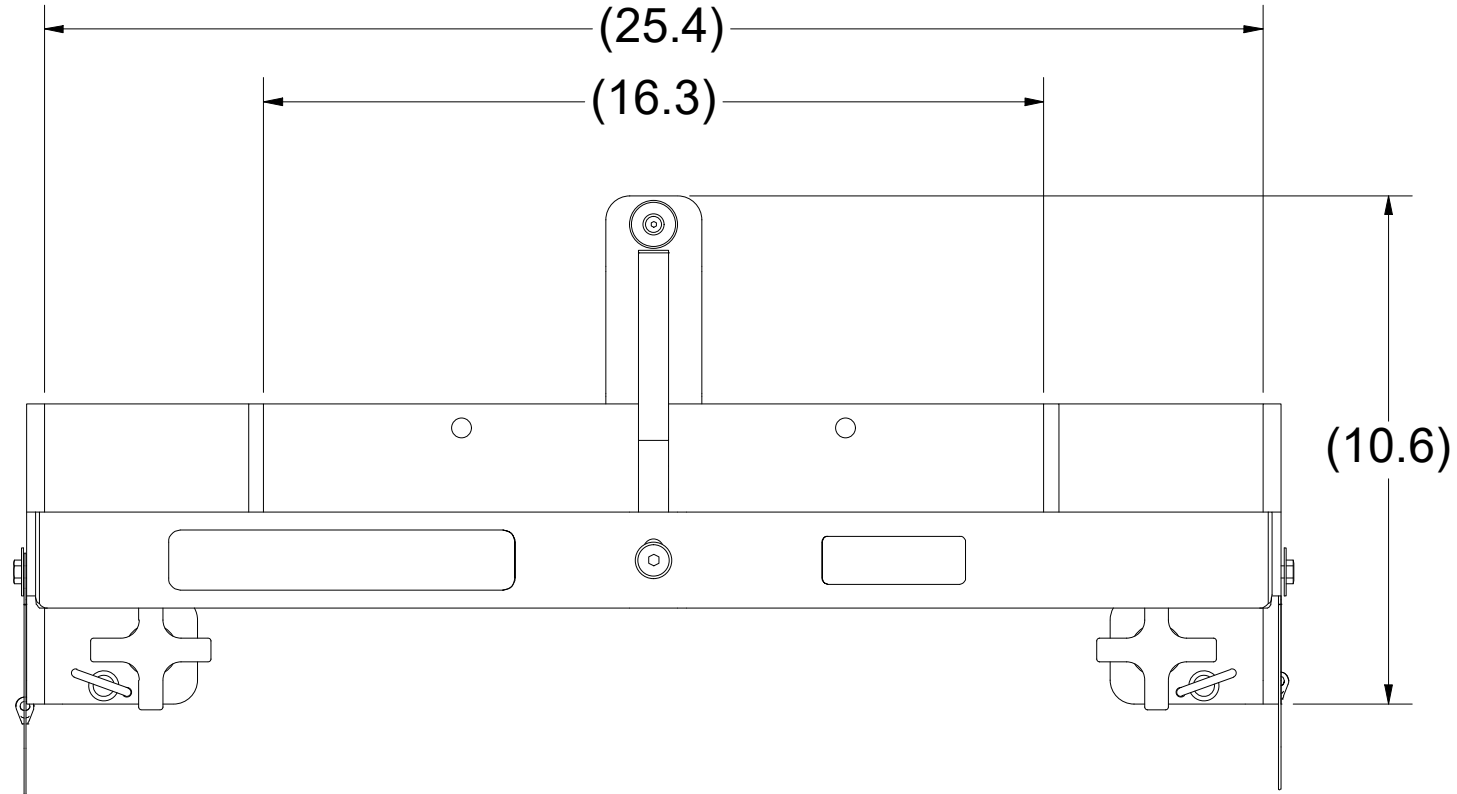
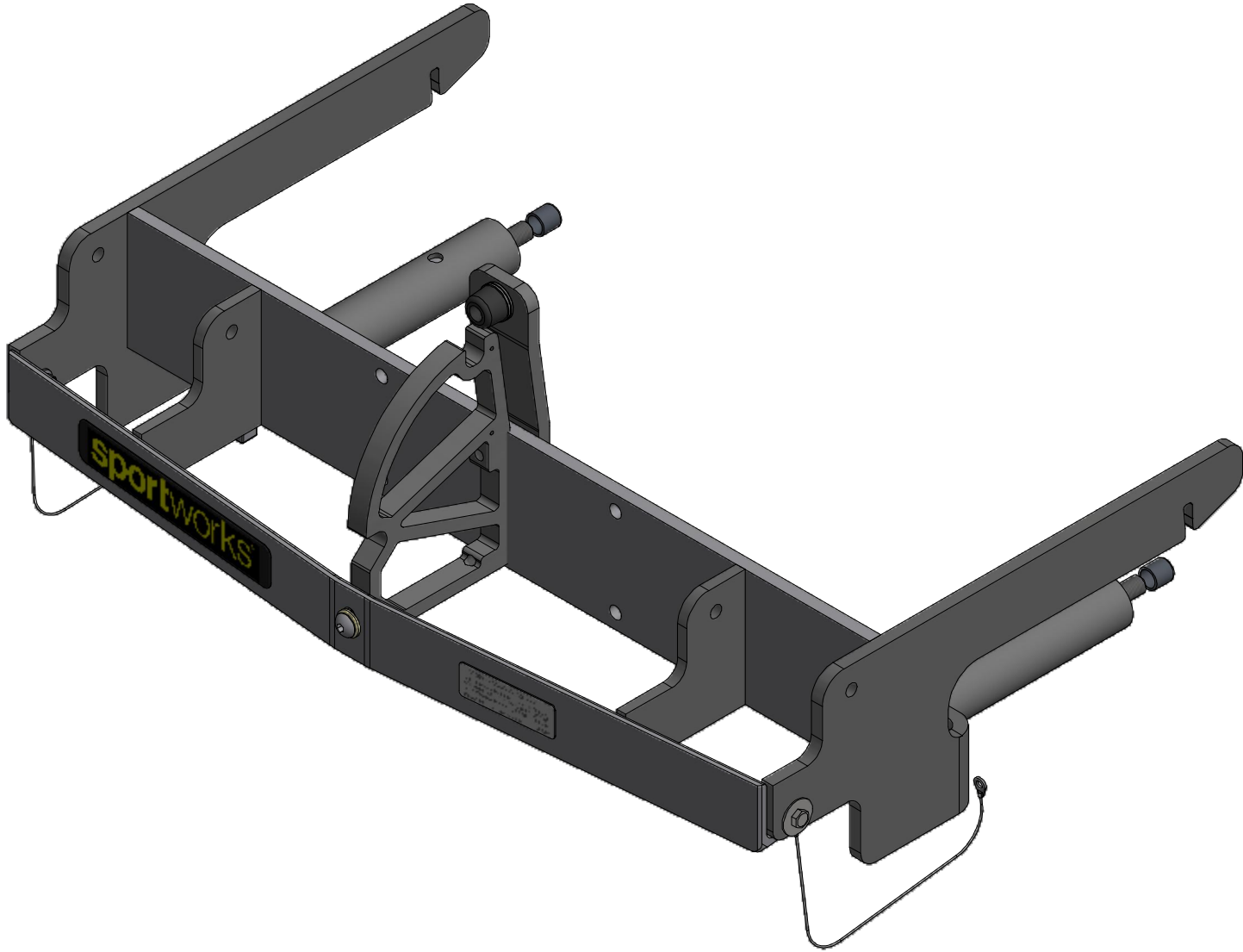
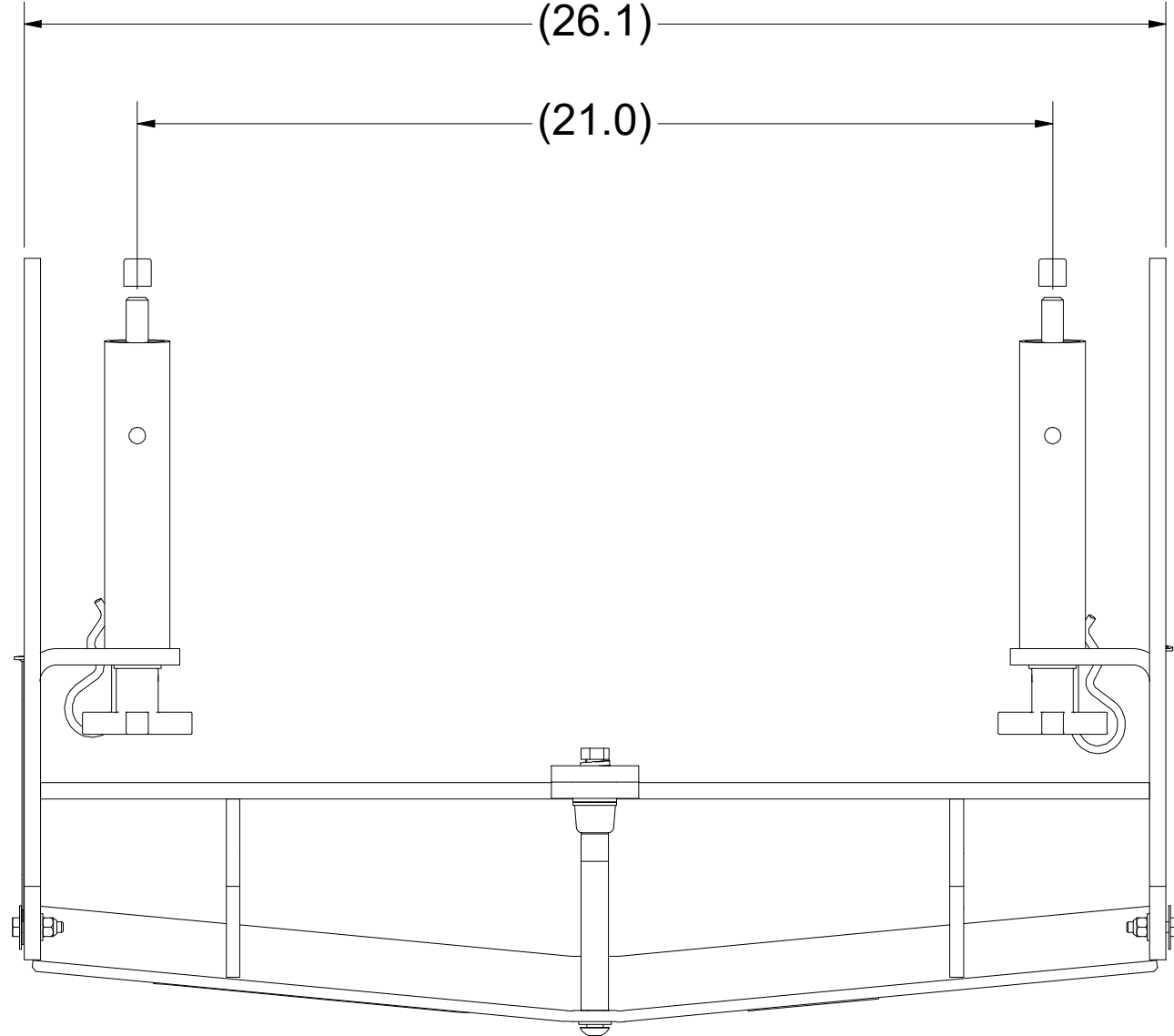
# 101075 FAMILY



**NOTES**  
 1. APPRX. WEIGHT: 38 LBS

|   |  |                 |
|---|--|-----------------|
| <b>Sportworks Northwest, Inc.</b><br>15540 Woodinville-Redmond Rd. NE, Bldg A-200<br>Woodinville, WA 98072, PH: 425-483-7000, FX: 425-488-9001            | TITLE<br>Standard TSBs - Dimensions          |                 |
|   | DWG NO.<br><b>Standard TSBs - Dimensions</b> | REV<br><b>A</b> |
| PROPRIETARY: THIS IS PROPRIETARY INFORMATION AND IS NOT TO BE REFERENCED OR DISTRIBUTED WITHOUT PRIOR WRITTEN AUTHORIZATION OF SPORTWORKS NORTHWEST, INC. |  |                 |
| SIZE C2B  | NO DRAWING SCALE                             | SHEET 2 OF 6    |

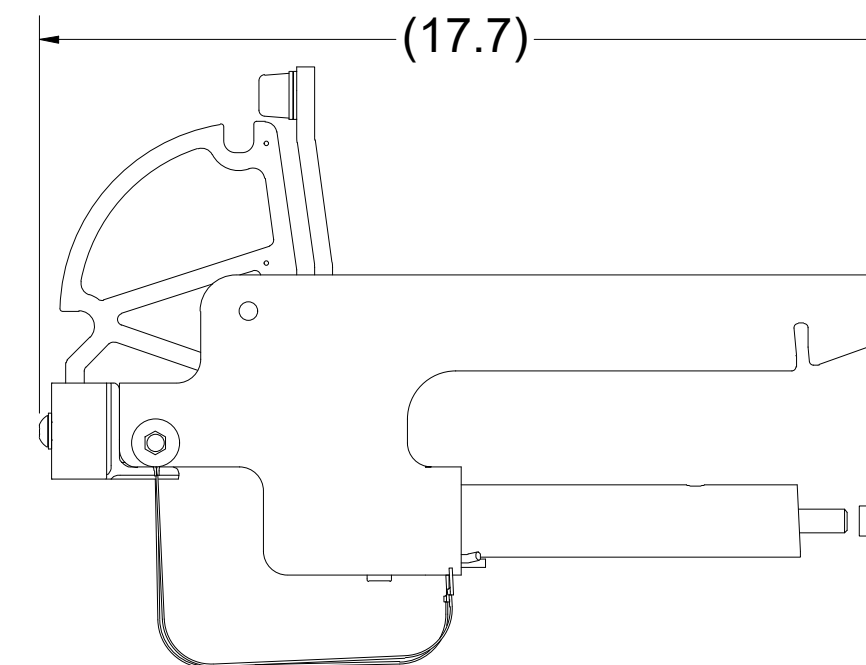
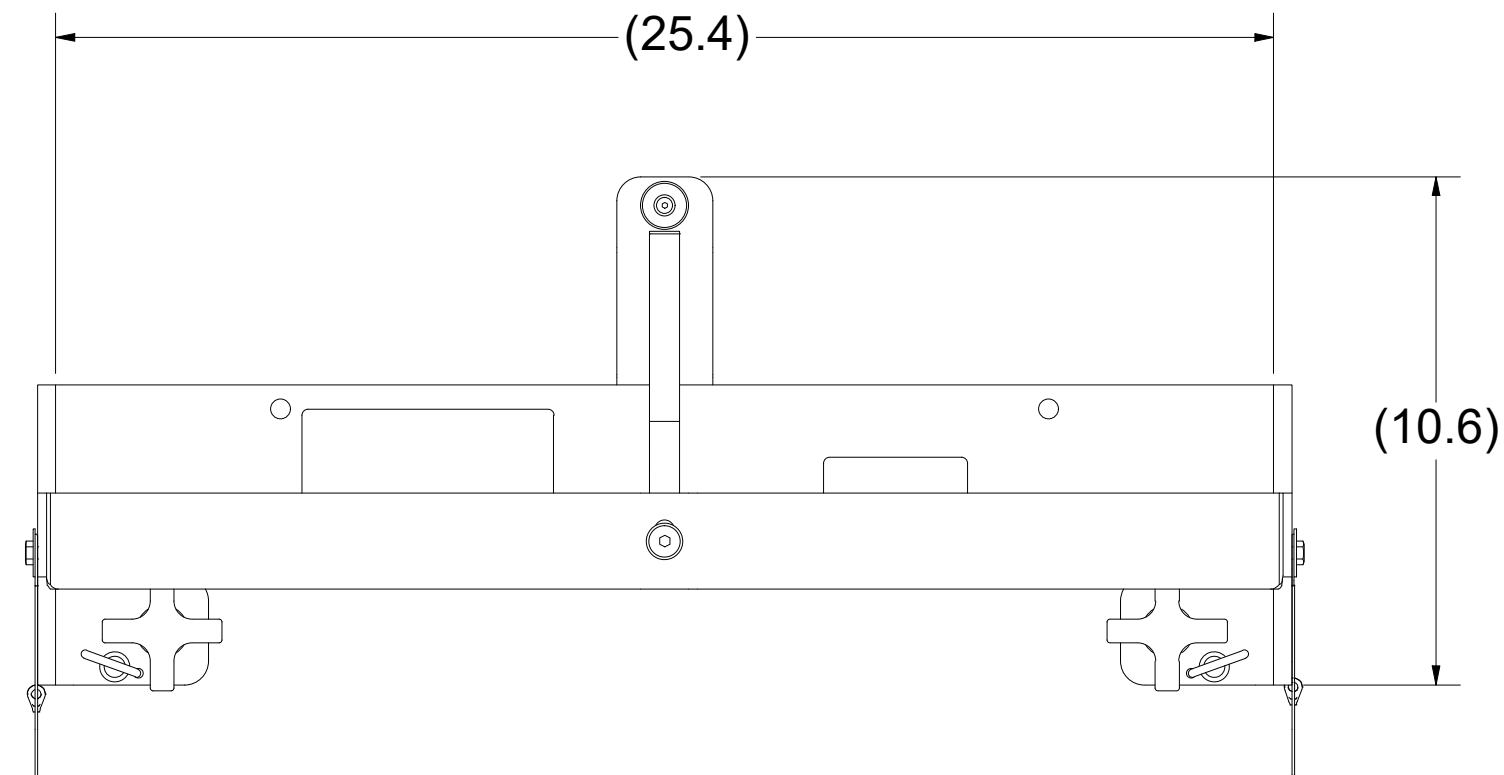
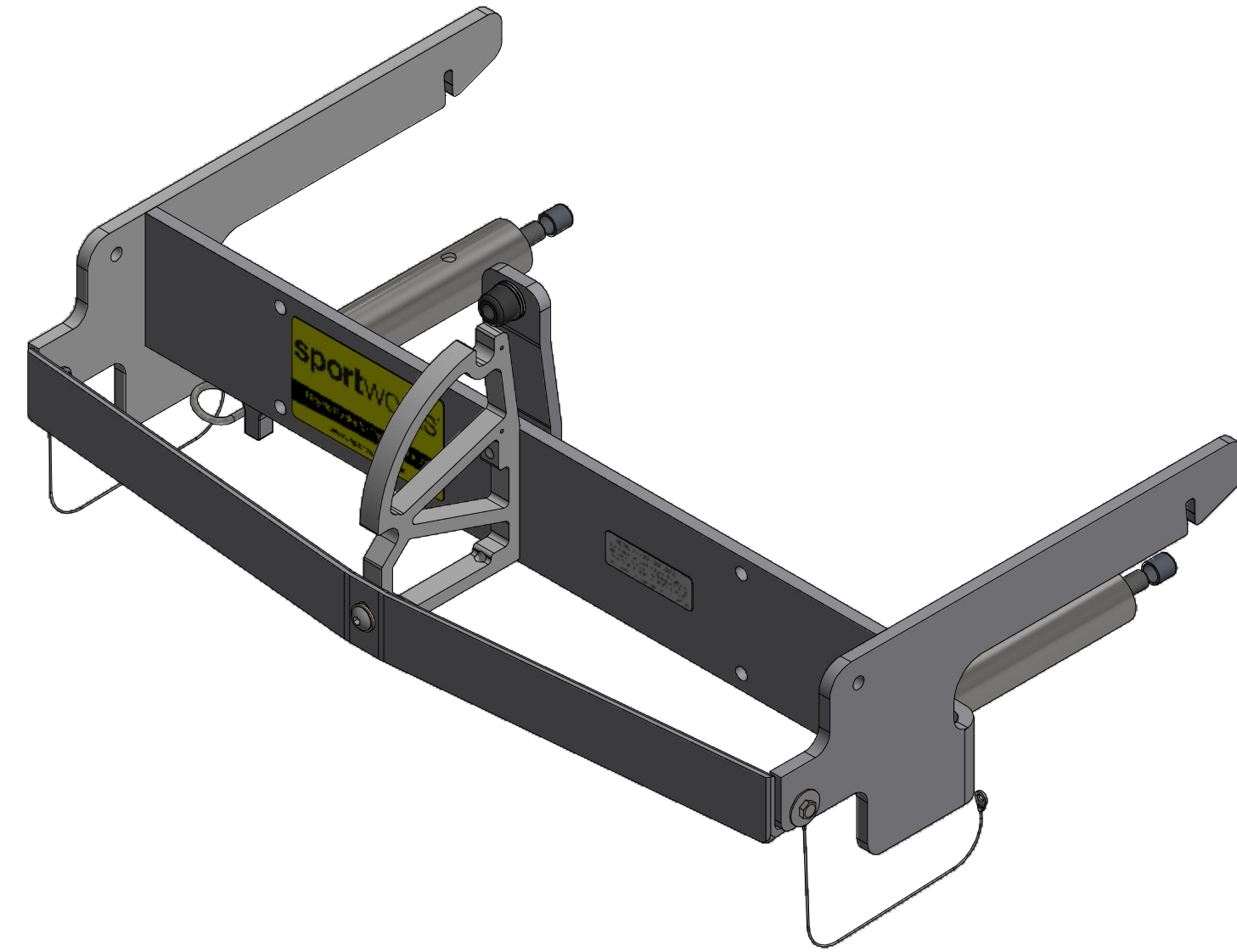
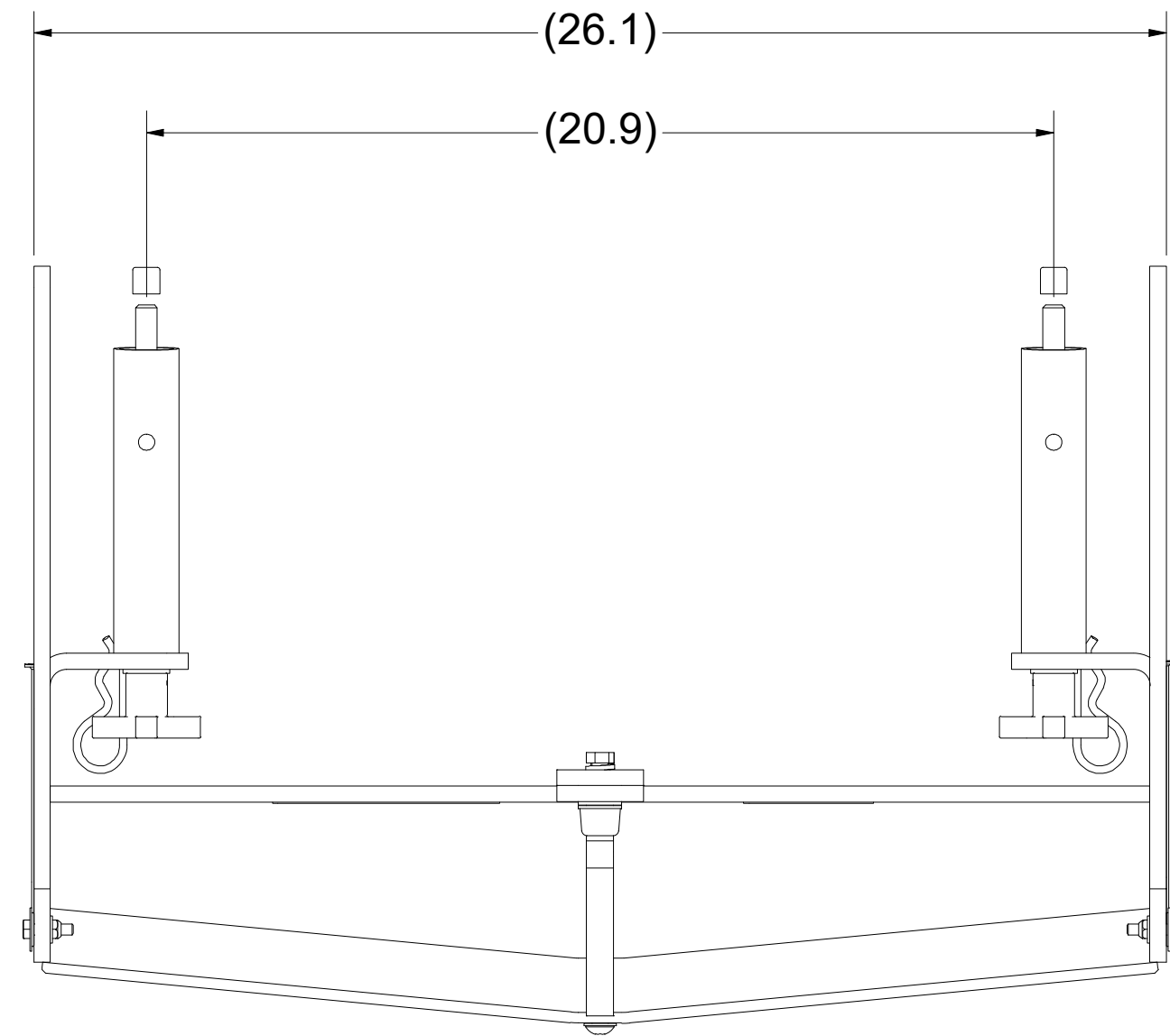
# 100641 FAMILY



**NOTES**  
 1. APPRX. WEIGHT: 33 LBS

|   |  |                 |
|---|--|-----------------|
| <b>Sportworks Northwest, Inc.</b><br>15540 Woodinville-Redmond Rd. NE, Bldg A-200<br>Woodinville, WA 98072, PH: 425-483-7000, FX: 425-488-9001            | TITLE<br>Standard TSBs - Dimensions          |                 |
|   | DWG NO.<br><b>Standard TSBs - Dimensions</b> | REV<br><b>A</b> |
| PROPRIETARY: THIS IS PROPRIETARY INFORMATION AND IS NOT TO BE REFERENCED OR DISTRIBUTED WITHOUT PRIOR WRITTEN AUTHORIZATION OF SPORTWORKS NORTHWEST, INC. |  |                 |
| SIZE C2B  | NO DRAWING SCALE                             | SHEET 3 OF 6    |

# 100637 FAMILY



## NOTES

1. APPRX. WEIGHT: 33 LBS

**Sportworks Northwest, Inc.**

15540 Woodinville-Redmond Rd. NE, Bldg A-200  
Woodinville, WA 98072, PH: 425-483-7000, FX: 425-488-9001

PROPRIETARY: THIS IS PROPRIETARY INFORMATION AND IS NOT TO BE REFERENCED OR DISTRIBUTED WITHOUT PRIOR WRITTEN AUTHORIZATION OF SPORTWORKS NORTHWEST, INC.

TITLE

Standard TSBs - Dimensions

DWG NO.

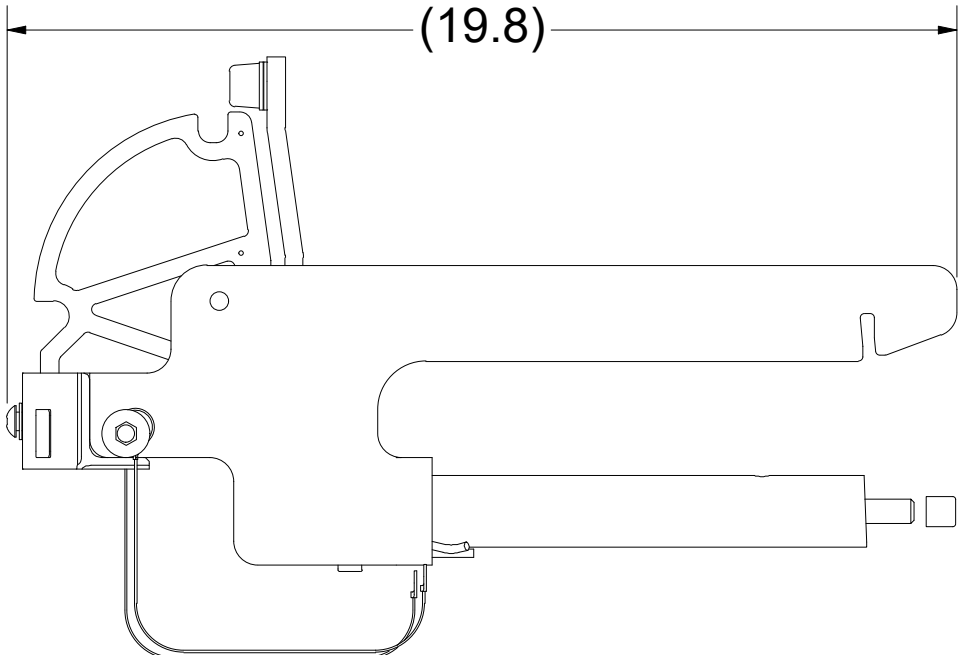
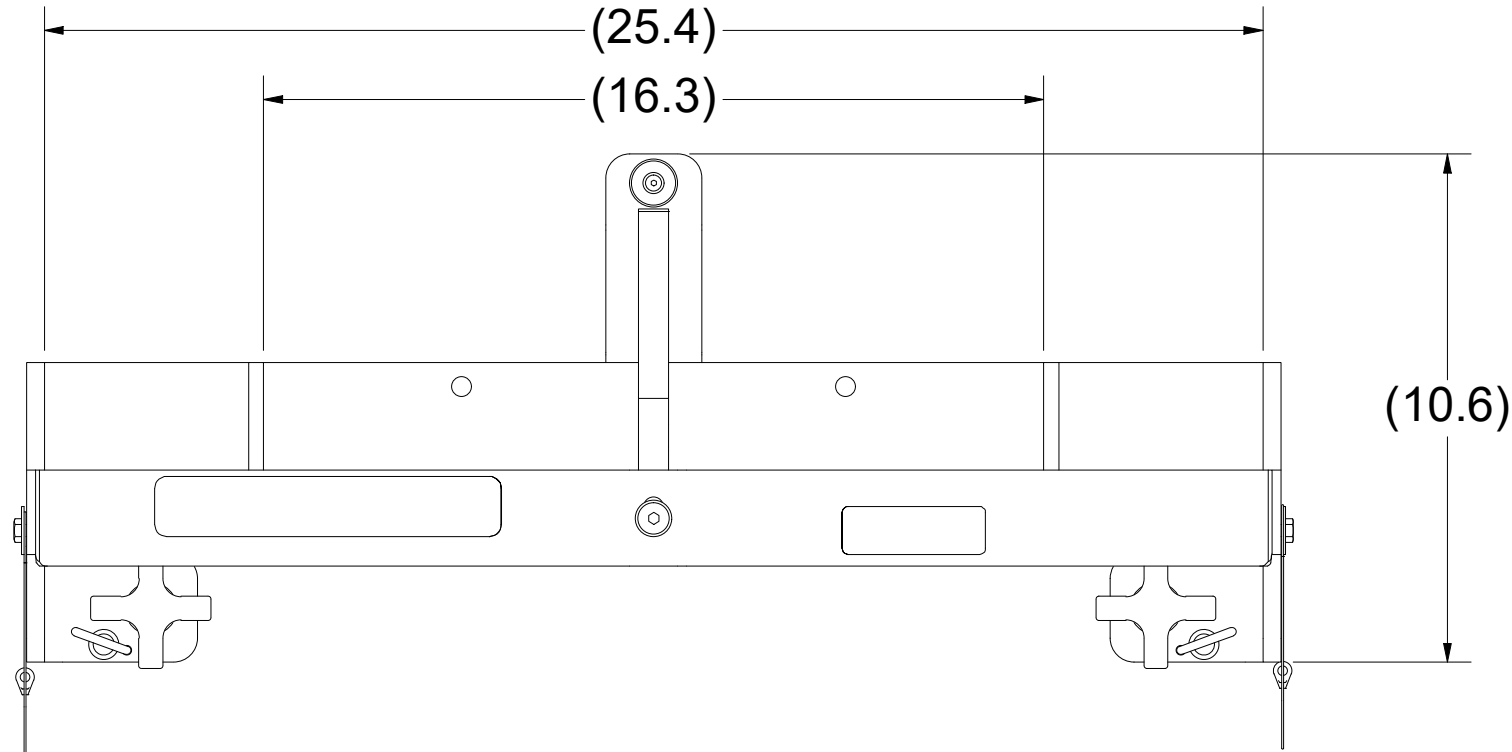
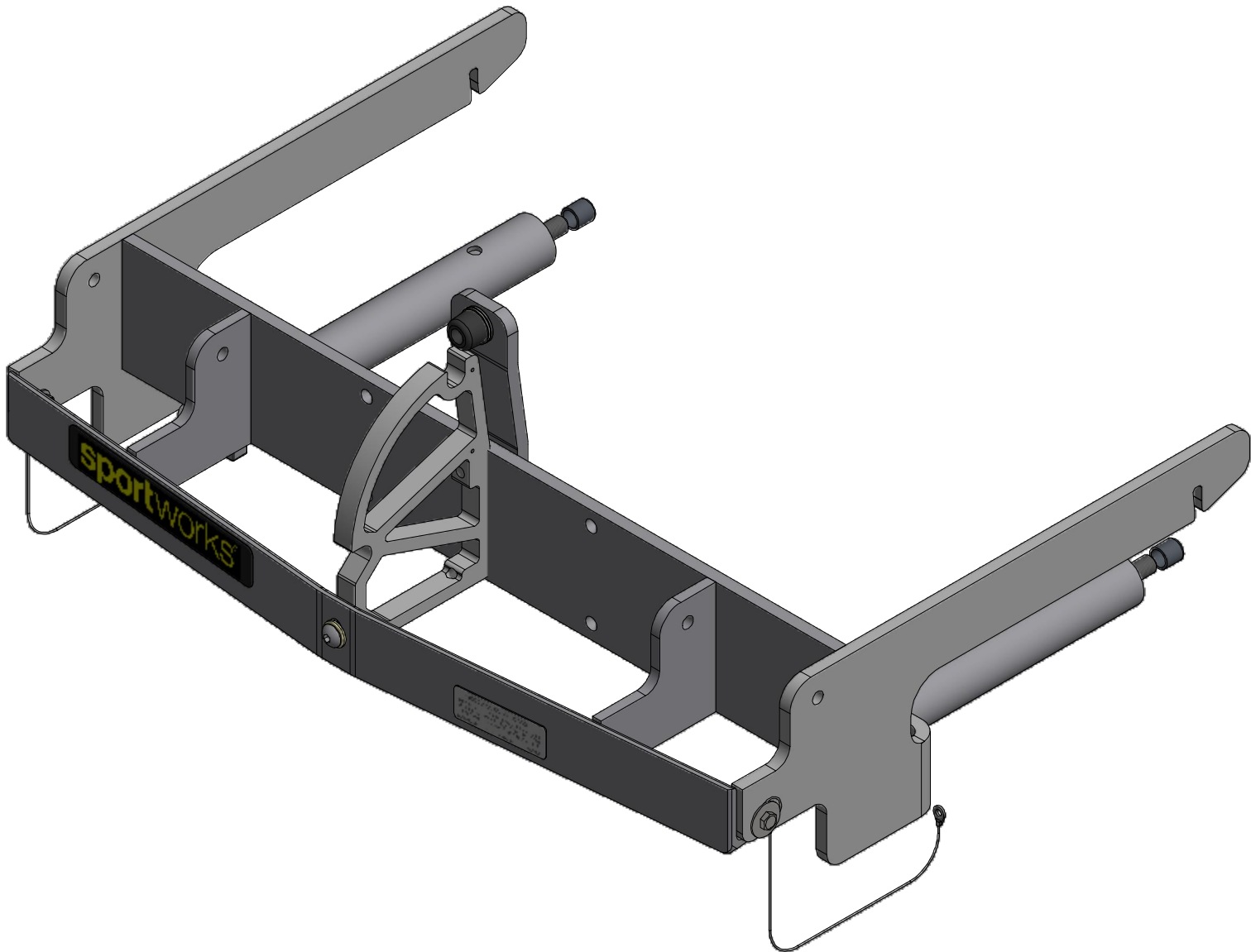
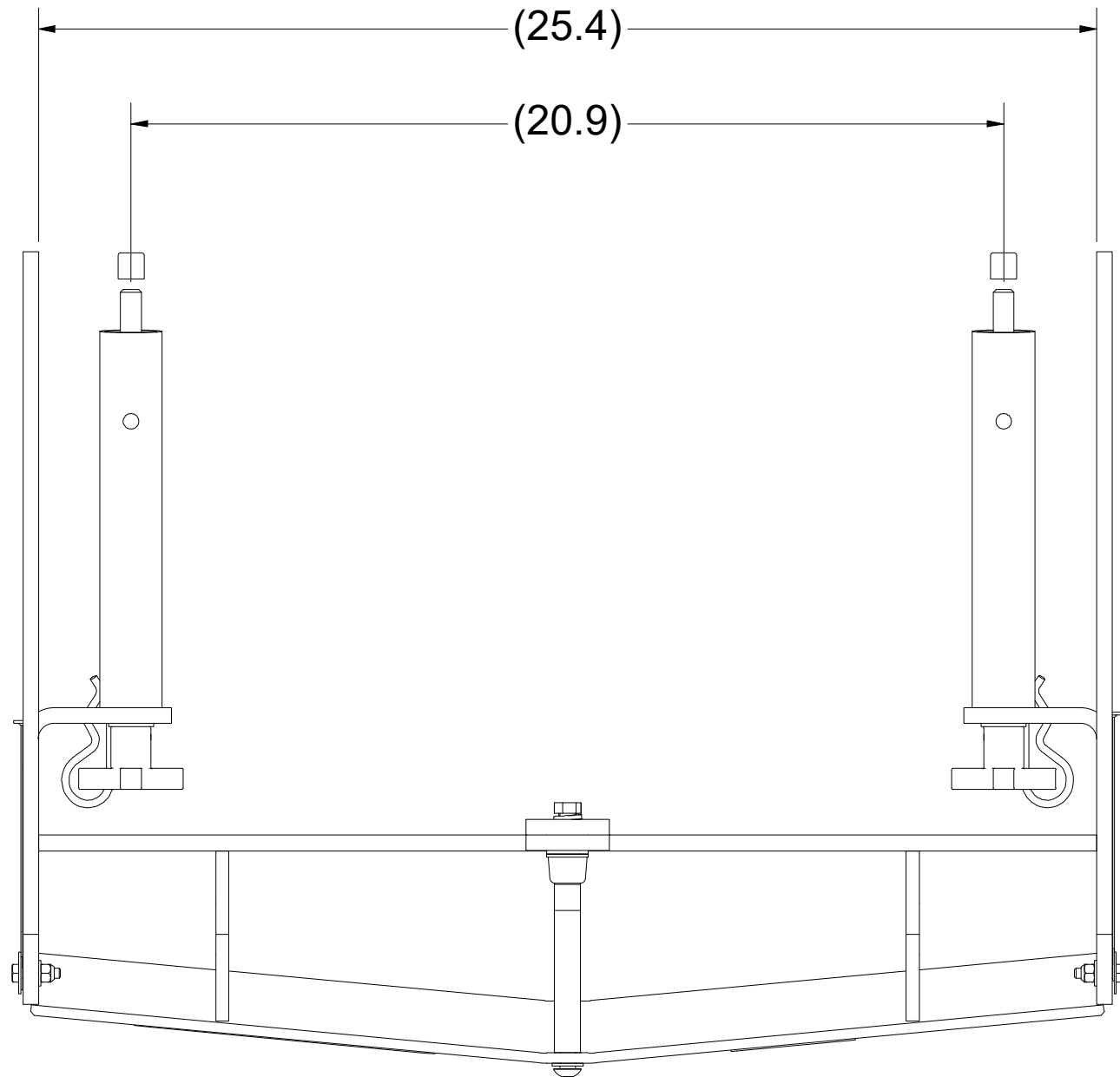
Standard TSBs - Dimensions

REV

A

SIZE C2B | NO DRAWING SCALE | SHEET 4 OF 6

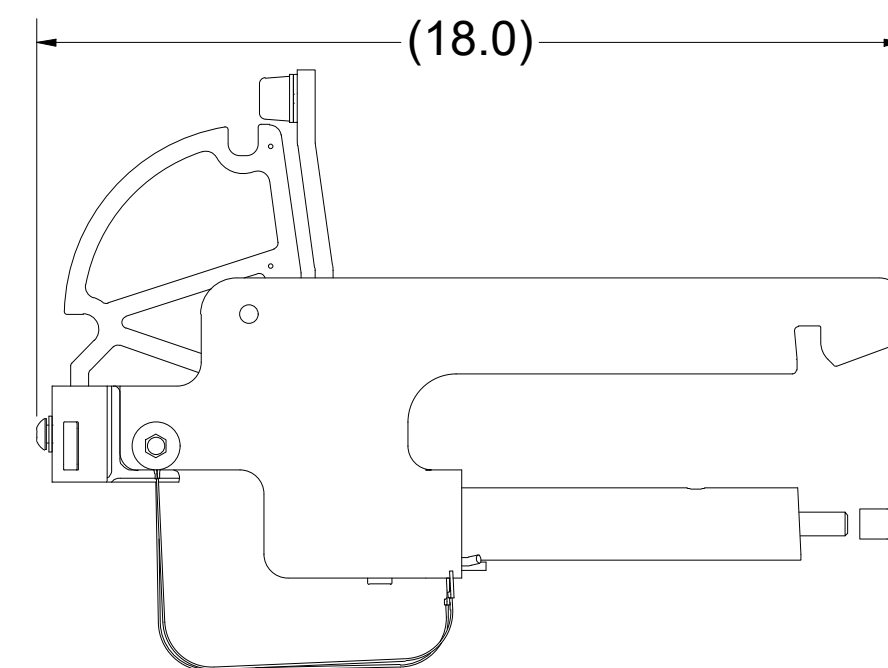
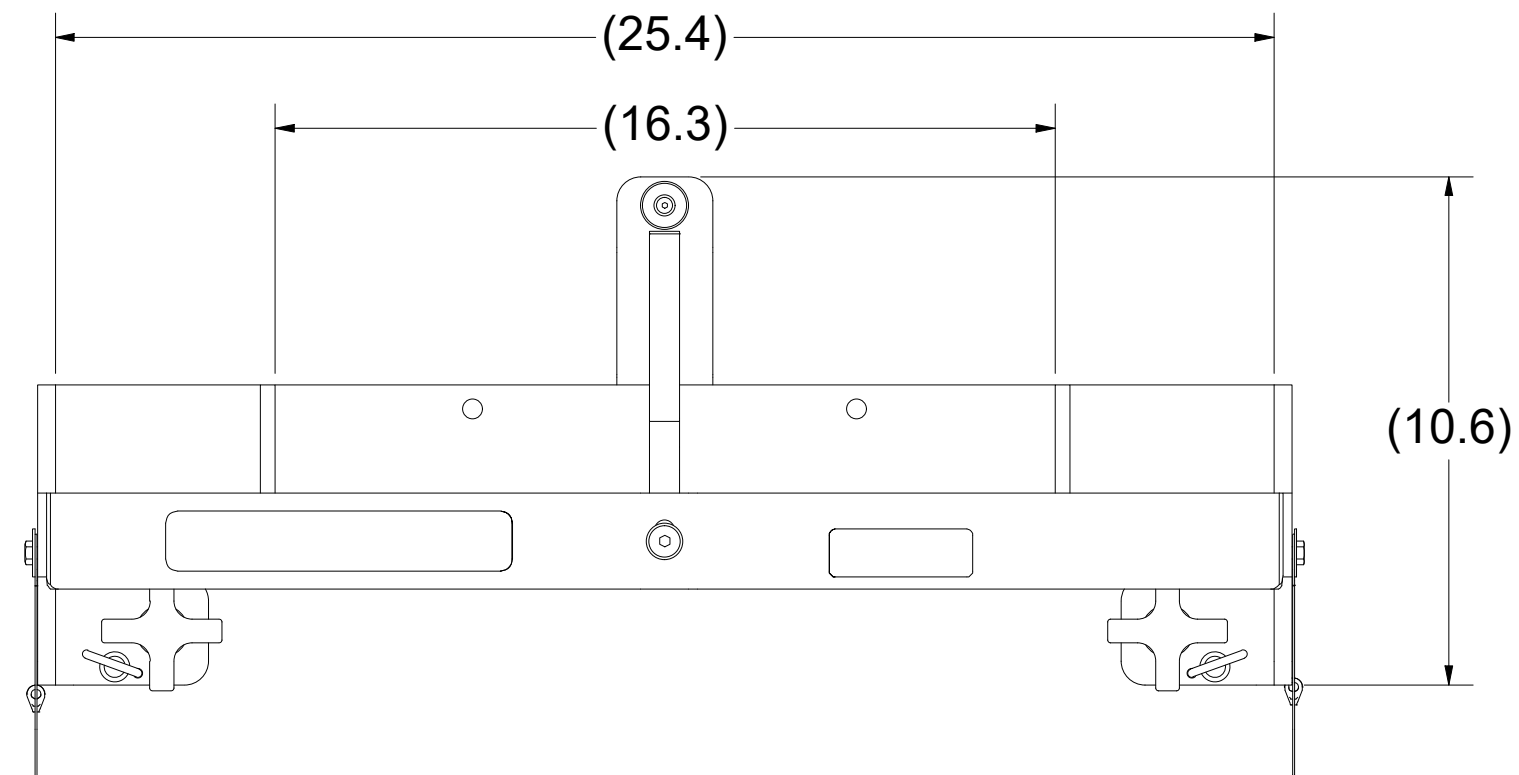
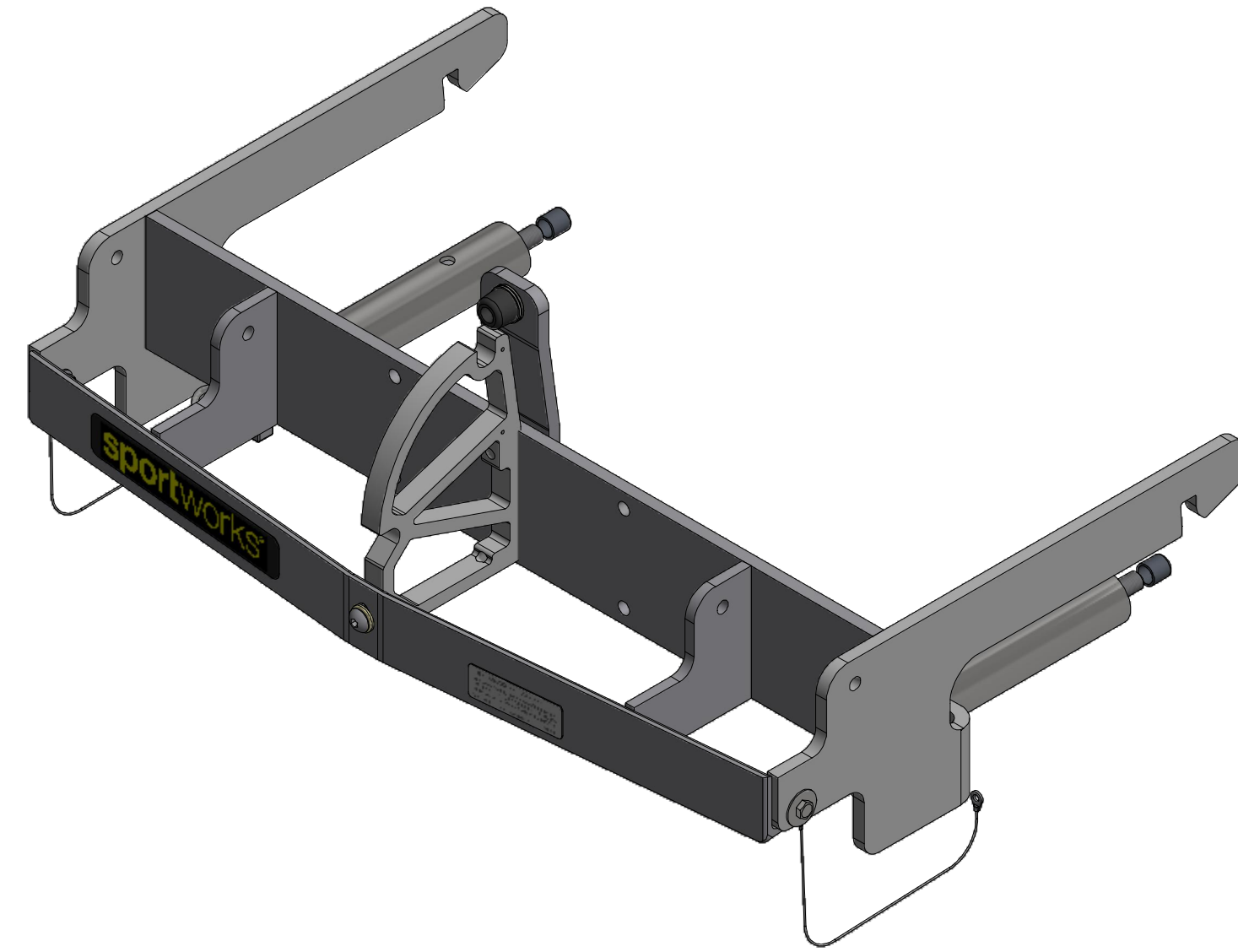
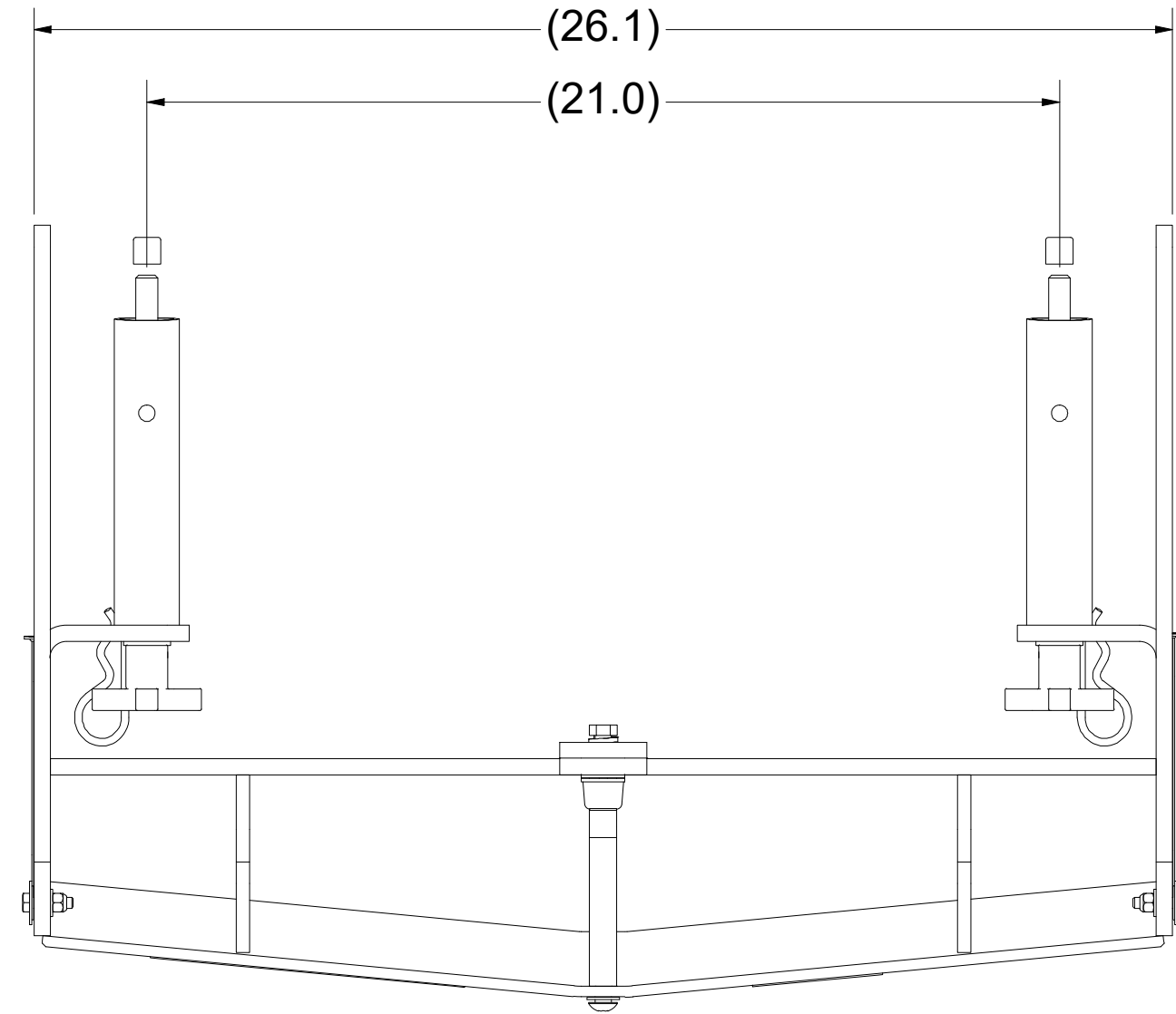
# 100668 FAMILY



**NOTES**  
 1. APPRX. WEIGHT: 38 LBS

|  |  |                 |
|--|--|-----------------|
| <b>Sportworks Northwest, Inc.</b><br>15540 Woodinville-Redmond Rd. NE, Bldg A-200<br>Woodinville, WA 98072, PH: 425-483-7000, FX: 425-488-9001<br><small>PROPRIETARY: THIS IS PROPRIETARY INFORMATION AND IS NOT TO BE REFERENCED OR DISTRIBUTED WITHOUT PRIOR WRITTEN AUTHORIZATION OF SPORTWORKS NORTHWEST, INC.</small> | TITLE<br>Standard TSBs - Dimensions          |                 |
|  | DWG NO.<br><b>Standard TSBs - Dimensions</b> | REV<br><b>A</b> |
| SIZE C2B   NO DRAWING SCALE   SHEET 5 OF 6   |  |                 |

# 100762 FAMILY



## NOTES

1. APPRX. WEIGHT: 33 LBS

**Sportworks Northwest, Inc.**

15540 Woodinville-Redmond Rd. NE, Bldg A-200  
Woodinville, WA 98072, PH: 425-483-7000, FX: 425-488-9001

PROPRIETARY: THIS IS PROPRIETARY INFORMATION AND IS NOT TO BE REFERENCED OR DISTRIBUTED WITHOUT PRIOR WRITTEN AUTHORIZATION OF SPORTWORKS NORTHWEST, INC.

TITLE

Standard TSBs - Dimensions

DWG NO.

Standard TSBs - Dimensions

REV

A

SIZE C2B | NO DRAWING SCALE | SHEET 6 OF 6