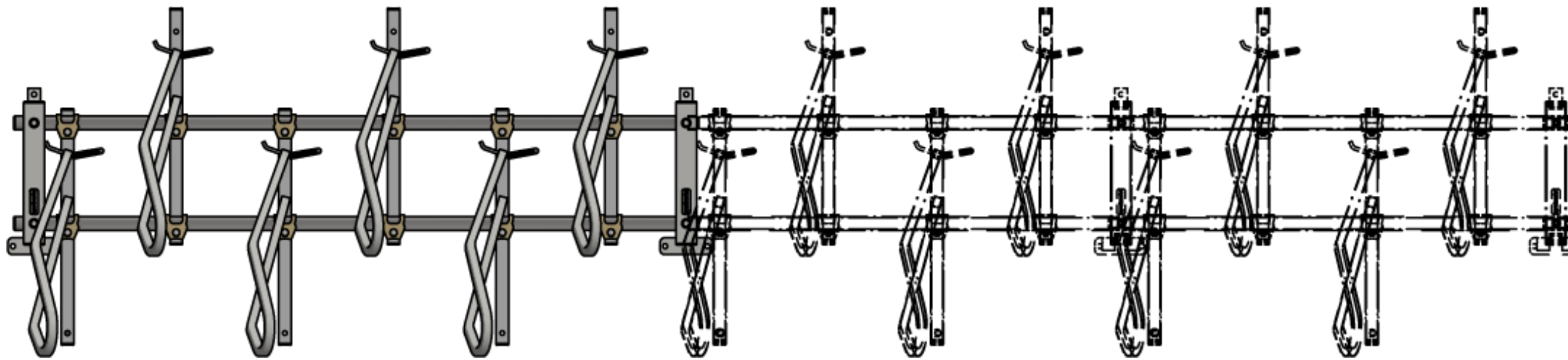


SEE PAGE 2 FOR DIMENSIONS

VERTICAL+ WALL MOUNT RACK DIMENSIONS				
BIKE SPACING	BIKE CAPACITY	L	W	H
13	2	34.8	30.7	84
13	3	47.8	30.7	84
13	4	60.8	30.7	84
13	5	73.8	30.7	84
13	6	86.8	30.7	84
13	7	99.8	30.7	84
13	8	112.8	30.7	84
13	9	125.8	30.7	84
16	2	40.8	30.7	84
16	3	56.8	30.7	84
16	4	72.8	30.7	84
16	5	88.8	30.7	84
16	6	104.8	30.7	84
16	7	120.8	30.7	84
17	2	42.8	30.7	84
17	3	59.8	30.7	84
17	4	76.8	30.7	84
17	5	93.8	30.7	84
17	6	110.8	30.7	84
17	7	127.8	30.7	84
18	2	44.8	30.7	84
18	3	62.8	30.7	84
18	4	80.8	30.7	84
18	5	98.8	30.7	84
18	6	116.8	30.7	84
18	7	134.8	30.7	84

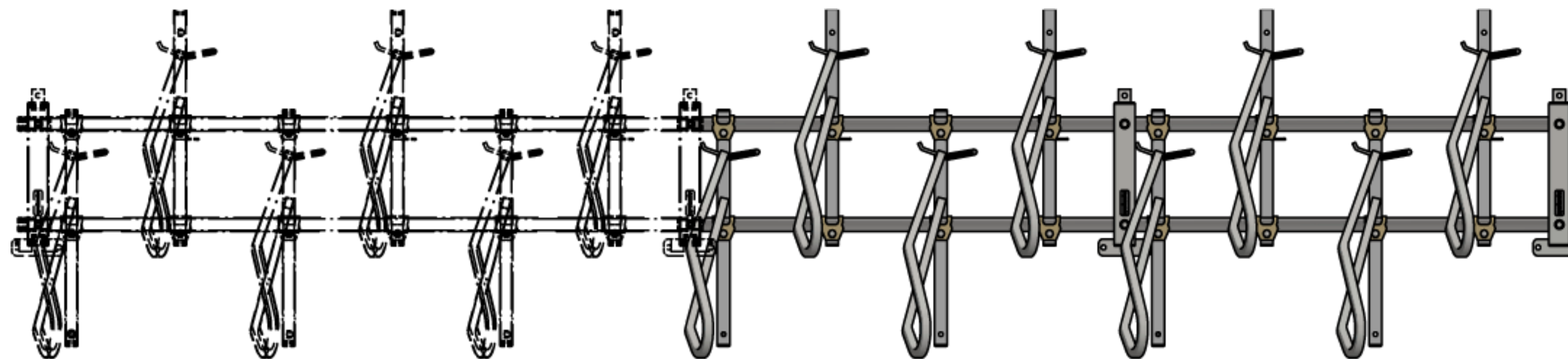
Vertical+ and Vertical No Scratch® Wall Mounted Daisychaining



BASE

EXTENSION(S)

When daisy chaining Vertical+ or Vertical No Scratch® rack modules, build each successive module so that the first bike support loop is height staggered relative to the adjacent loop in the prior module.



BASE

EXTENSION(S)

Part number explanation:

- Base modules have a B as the 5th digit of the part number and include two uprights and two feet
- Extension modules have an E as the 5th digit of the part number and include one upright and one foot