

# Mounting instruction Easylift Premium

MI-98909010

Art.no.

bvdwerf

11-09-2017 Rev. 04

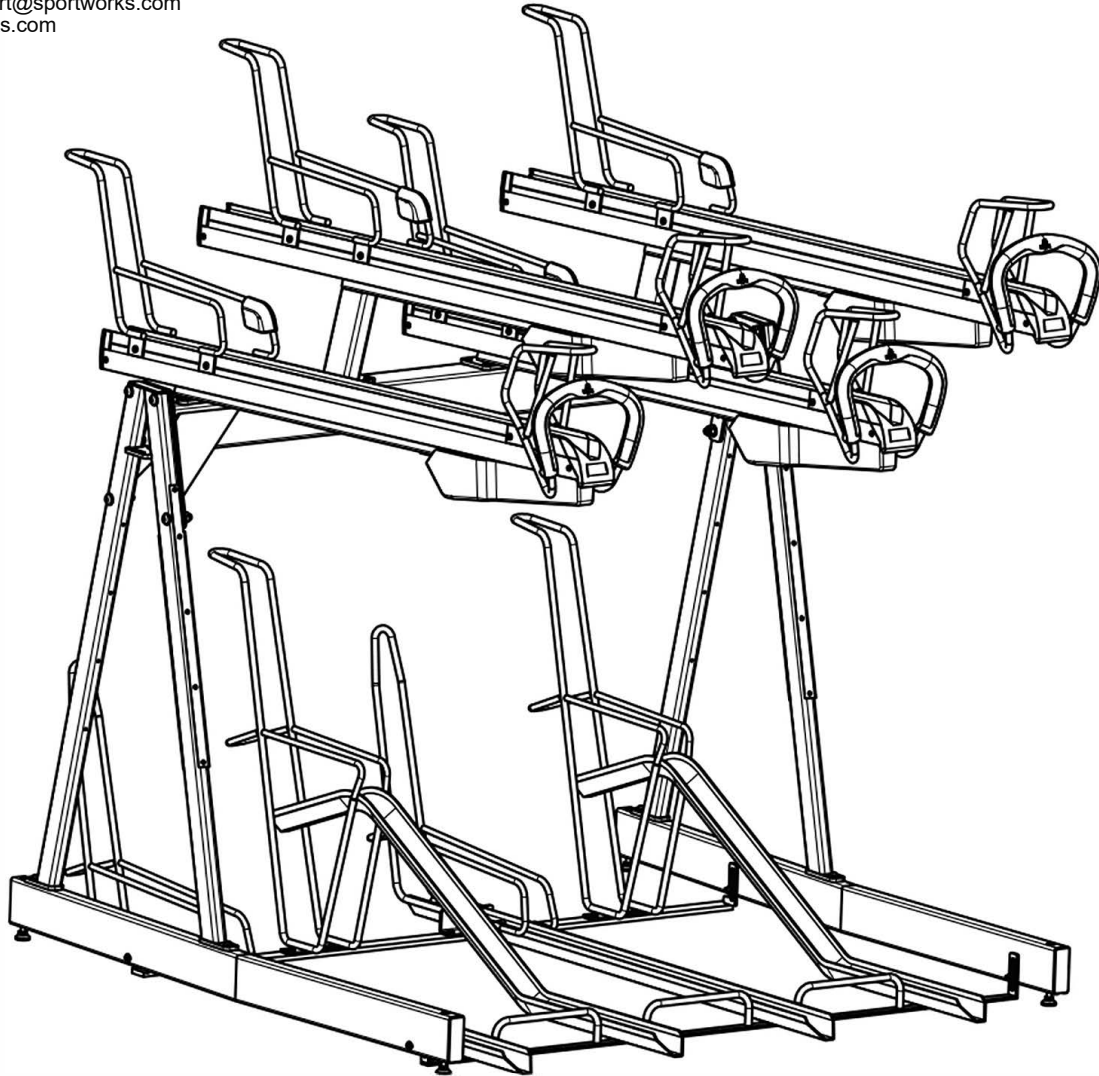
www.velopa.com

1/19



## For sales and support in North America:

Sportworks Northwest, Inc.  
425-483-7000  
salesandsupport@sportworks.com  
www.sportworks.com



## Description

The Easylift Premium is an easy-to-use, two tier bicycle parking system. The bicycles are parked one above the other, which doubles the storage capacity. The system uses integrated gas springs which help you lift your bicycle to the upper storage level. A unique system of dampers ensures a safe and controlled hands-free descent when retrieving your bicycle.

## Définition

Easylift Premium est un système de rangement de vélos à double étage qui offre une très grande facilité d'utilisation. Les vérins à gaz intégrés au système facilitent le levage du vélo pour le ranger à l'étage supérieur. Le système amortisseur assure le contrôle de la descente mains libres du vélo au moment de le retirer.

# Mounting instruction Easylift Premium

MI-98909010

Art.no.

bvdwerf

11-09-2017 Rev. 04

www.velopa.com

2/19



## EC DECLARATION OF CONFORMITY

*the legal entity as identified below*

### IDENTIFICATION MANUFACTURER

Company name	Velopa B.V.
Address	Achthovenerweg 21
Zipcode	2351 AX
City	Leiderdorp
Country	The Netherlands

*explained under their own responsibility that machine concerned as identified below*

### IDENTIFICATION MACHINE

Generic name	Easylift
Function	Two-tier bicycleparking system
Commercial designation	Easylift Premium

*complies with all applicable provisions of:*

**Machinery directive 2006/42/EC**

*Where the conformity assessment procedure for the following harmonised standards  
or technical specifications (partly) been complied with:*

**EN-ISO 12100:2010; EN 349:1993+A1:2008; EN 614-1:2006+A1:2009**

# Mounting instruction Easylift Premium

MI-98909010

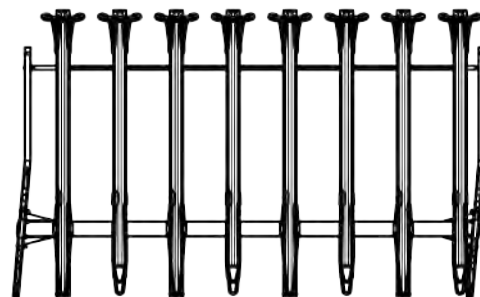
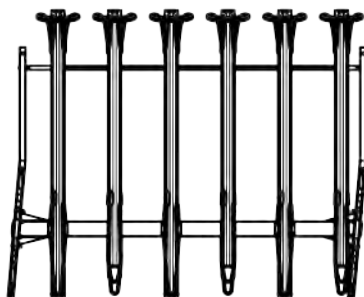
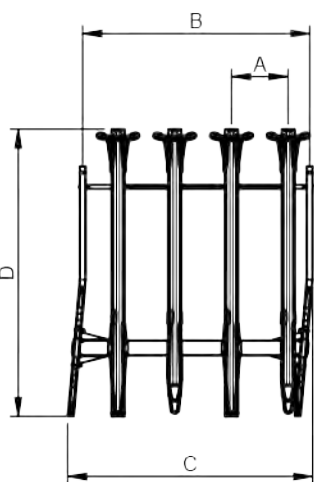
Art.no.

bvdwerf

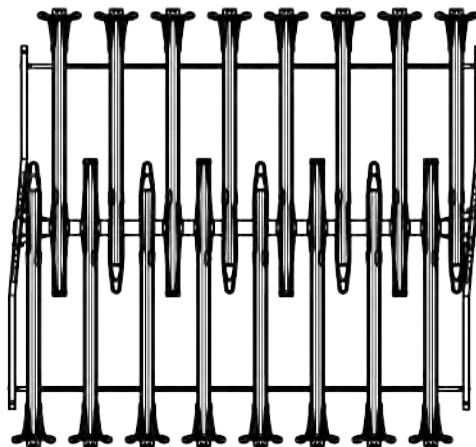
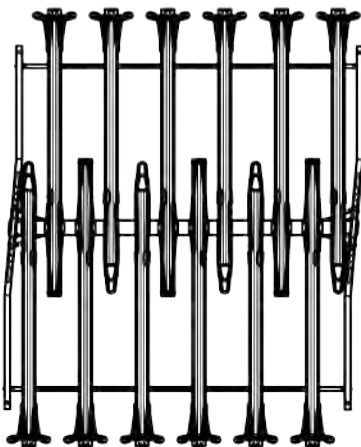
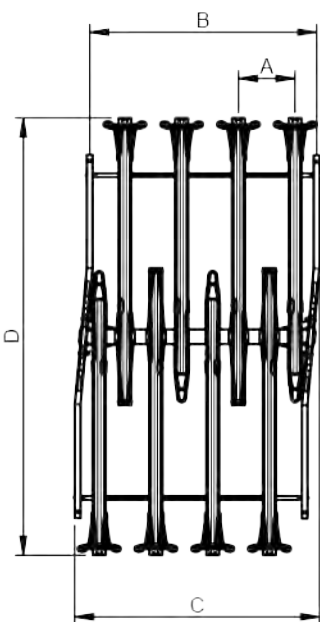
11-09-2017 Rev. 04

www.velopa.com

3/19



	Lenght A	Lenght B	Lenght C	Lenght D	Weight	Most heavy part	
Single sided 375 8 pl	375 mm	1500 mm	1625 mm	1900 mm	184,9 kg	Girder assembly	19,5 kg
Single sided 375 12 pl	375 mm	2250 mm	2375 mm	1900 mm	251,7 kg	Girder assembly	26,4 kg
Single sided 375 16 pl	375 mm	3000 mm	3125 mm	1900 mm	318,5 kg	Girder assembly	33,2 kg
Single sided 400 8 pl	400 mm	1600 mm	1725 mm	1900 mm	186,2 kg	Girder assembly	20,4 kg
Single sided 400 12 pl	400 mm	2400 mm	2525 mm	1900 mm	253,7 kg	Girder assembly	27,7 kg
Single sided 400 16 pl	400 mm	3200 mm	3325 mm	1900 mm	321,2 kg	Girder assembly	35,0 kg



	Lenght A	Lenght B	Lenght C	Lenght D	Weight	Most heavy part	
Double sided 375 16 pl	375 mm	1500 mm	1625 mm	2900 mm	308,7 kg	Portal assembly	31,5 kg
Double sided 375 24 pl	375 mm	2250 mm	2375 mm	2900 mm	432,7 kg	Portal assembly	31,5 kg
Double sided 375 32 pl	375 mm	3000 mm	3125 mm	2900 mm	557,0 kg	Girder assembly	33,6 kg
Double sided 400 16 pl	400 mm	1600 mm	1725 mm	2900 mm	309,9 kg	Portal assembly	31,5 kg
Double sided 400 24 pl	400 mm	2400 mm	2525 mm	2900 mm	434,9 kg	Portal assembly	31,5 kg
Double sided 400 32 pl	400 mm	3200 mm	3325 mm	2900 mm	559,9 kg	Girder assembly	35,3 kg

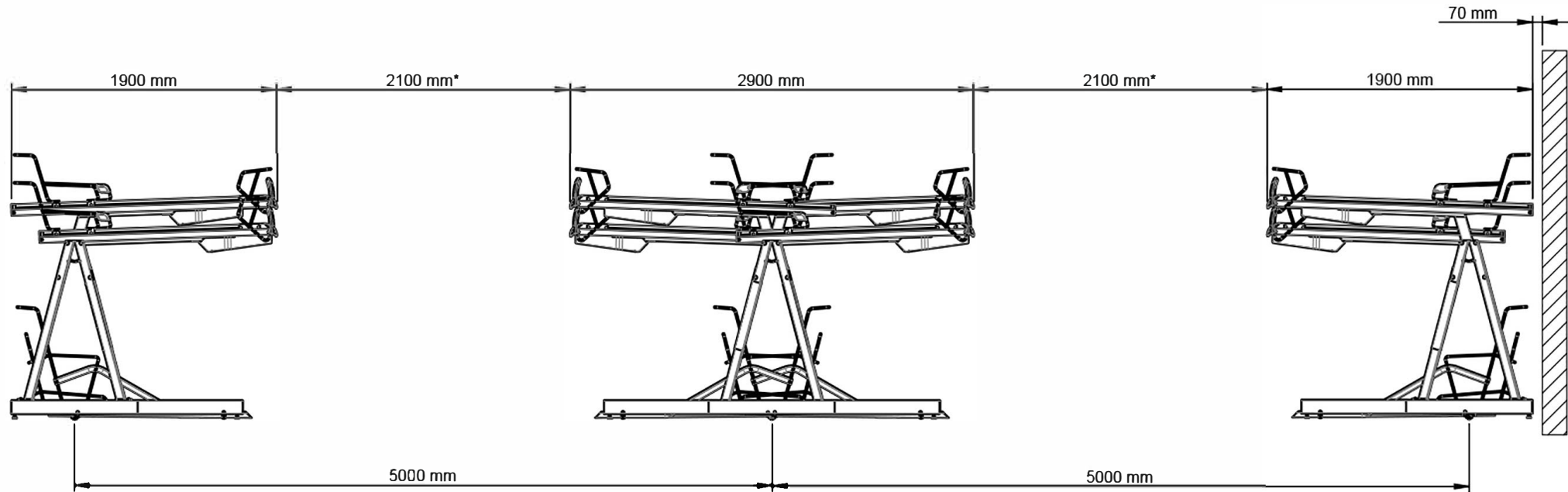
# Mounting instruction Easylift Premium

Art.no. various

bvdwerf  
11-09-2017 Rev. 04

www.velopa.com

4/19



\*Recommended distance for optimum maneuvering of bicycle  
\*Distance recommandée, espace de manoeuvre optimale pour vélo

# Mounting instruction Easylift Premium

MI-98909010

Art.no.

bvdwerf

11-09-2017 Rev. 04

www.velopa.com

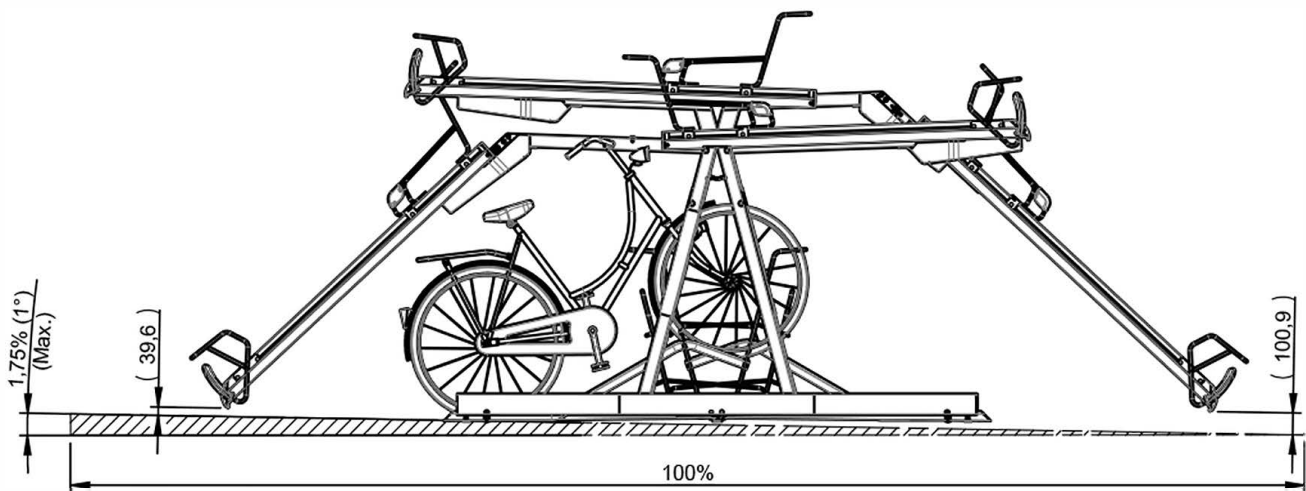
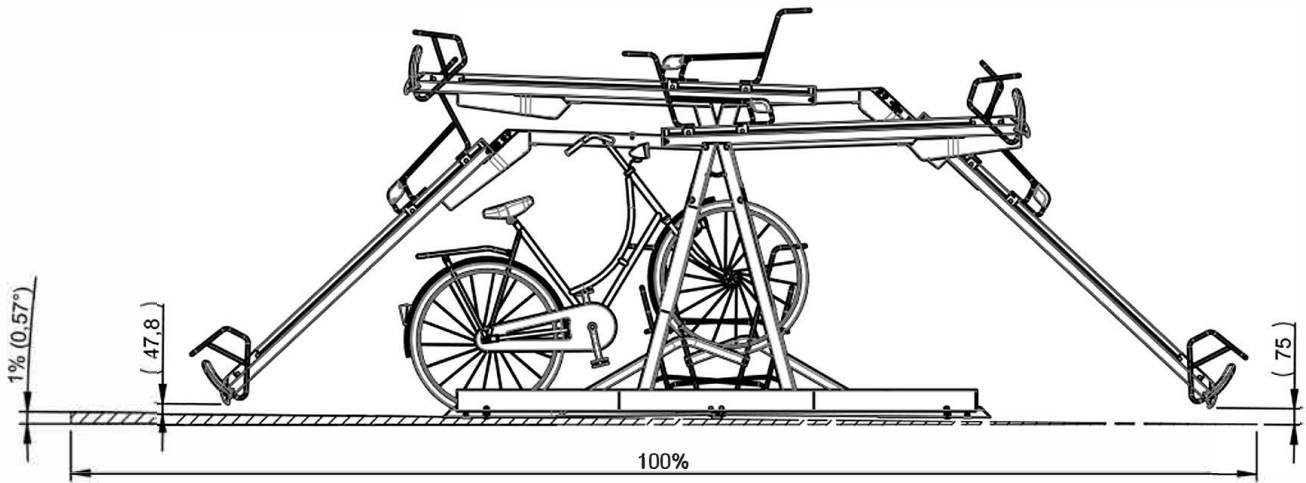
5/19



Velopa  
CITYSTYLE

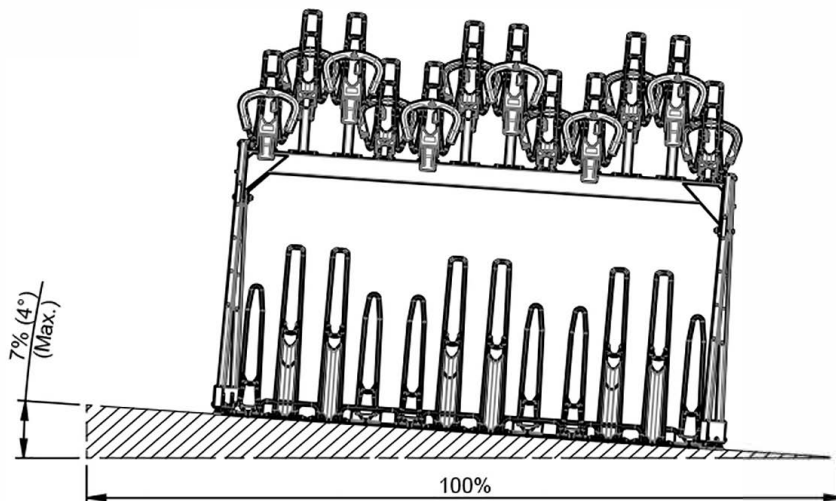
**Ability to adjust for a slope (max. 1.75% = 1°)**  
For the depth of the product

**Capacité d'ajuster la pente (max. 1,75% = 1°)**  
Système direction de profondeur



**Placement on a ramp (max. 7% = 4°)**  
For the length of the product

**Placement sur la rampe (max. 7% = 4°)**  
Longitudinale système



# Mounting instruction Easylift Premium

MI-98909010

Art.no. various

bvdwerf

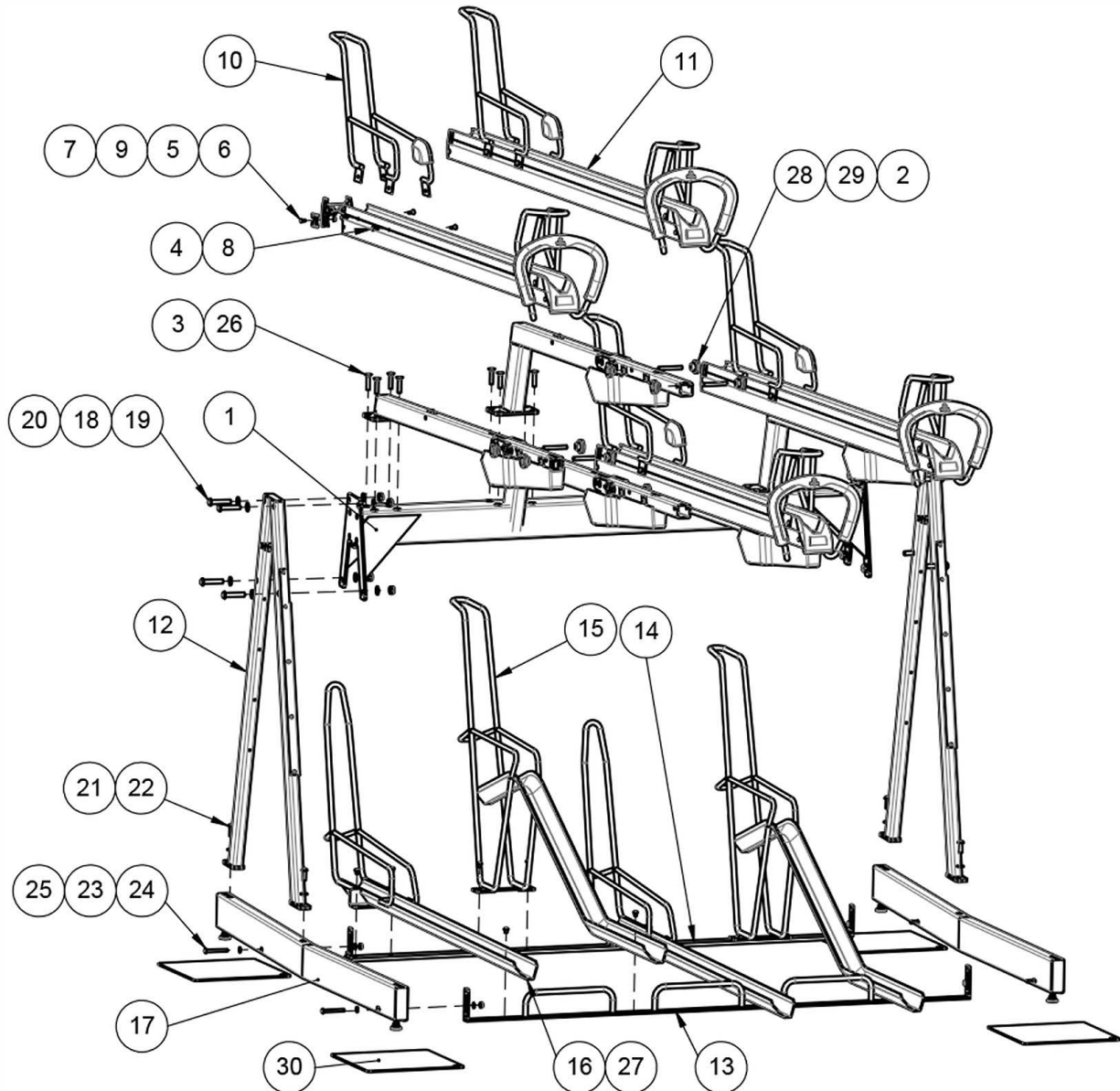
11-09-2017 Rev. 04

www.velopa.com



Bill of materials Easylift Premium  
Etat de materiel Easylift Premium

6/19



Pos. no.	Qty.	Art.no.					Weight
1	1	30909112	Ligger 4 plaatsen enkelzijdig	Poutre 4 places unilatérale	Träger 4 Plätze einseitig	Girder C-C 400 - SS 4 pl. - Assembly	20,31
2	3	30909300	Console Premium - Hoog	Console Premium - Haute	Console Premium - Hoch	Console EL Premium - High - Assembly	10,82
3	2	30909310	Console Premium - Laag	Console Premium - Bas	Console Premium - Ebene	Console EL Premium - Low - Assembly	10,03
4	2	30909550	V-rail Premium - Laag	V-rail Premium - Bas	V-rail Premium - Ebene	V-rail Premium - Low - Assembly	9,25
5	4	30910920	V-rail - Stop	V-rail - Bouchon	V-rail - Stopfen	V-rail - Stop	0,01
6	4	ISO 7380 - M8x12	Bolkop met torx met pin (RVS)	Vis à tête bombée torx avec goupille (Inox)	Flachrundkopf mit torx mit stift (Edelstahl)	Torx button head with pin (SS)	
7	4	54320000	Borgmoer (RVS)	Ecrou bloquant (Inox)	Sicherungsmutter (Edelstahl)	Torque nut (SS)	
8	8	DIN 7981C - Ø8,3x18	Torx-schroef met pin (RVS)	Vis de Torx avec goupille (Inox)	Torx-Schraube mit Stift (Edelstahl)	Torx-screw with pin (SS)	0,01
9	1	30910925	V-rail Premium - Achterkap	V-rail Premium - Capot arrière	V-rail Premium - Heckhaube	Assembly - V-rail Premium - End cap	0,04
10	1	30909510	V-rail EL Premium - Voorwielklem	V-rail EL Premium - Pince de roue avant	V-rail EL Premium - Vorderradklemme	Assembly - V-rail EL Premium - Front wheel clamp Assembly	2,61
11	2	30909500	V-rail Premium - Hoog	V-rail Premium - Haute	V-rail Premium - Hoch	V-rail EL Premium - High - Assembly	9,65
12	2	30909201	Portaal - V-stand	Portail - V-stand	Portal - V-stand	Portal - V-stand - Assembly	11,97
13	1	30929810	B-rack - Ligger voorzijde	B-rack - Poutre avant	B-rack - Träger vorderseite	B-rack C-C 400 - Girder front - 4 pl. weldment	3,04
14	1	30909843	B-rack - Ligger midden enkelzijdig	B-rack - Poutre milieu unilatérale	B-rack - Träger mittlerer einseitig	B-rack C-C 400 - Girder middle SS - 4pl. Weldment	5,64
15	2	30909900	V-gutter - Hoog	V-gutter - Haute	V-gutter - Hoch	V-gutter - High - Weldment	8,23
16	2	30909910	V-gutter - Laag	V-gutter - Bas	V-gutter - Ebene	V-gutter - Low - Weldment	7,02
17	2	30909211	Portaal - Ligger enkelzijdig	Portail - Girder unilatérale	Portal - Bar einseitig	Portal - Girder - Assembly	10,29
18	16	54900420	Sluitring (RVS)	Rondelle (Inox)	Verschlußring (Edelstahl)	Washer (SS)	
19	8	ISO 7380 - M12x80	Bolkop met torx (RVS)	Vis à tête bombée Torx (Inox)	Flachrundkopf mit Torx (Edelstahl)	Torx button head screw (SS)	
20	8	54900360	Borgmoer (RVS)	Ecrou bloquant (Inox)	Sicherungsmutter (Edelstahl)	Torque nut (SS)	
21	4	54900410	Sluitring (RVS)	Rondelle (Inox)	Verschlußring (Edelstahl)	Washer (SS)	
22	4	ISO 7380 - M10x30	Bolkop met torx (RVS)	Vis à tête bombée torx (Inox)	Flachrundkopf mit torx (Edelstahl)	Torx button head screw (SS)	
23	8	54900400	Sluitring (RVS)	Rondelle (Inox)	Verschlußring (Edelstahl)	Washer (SS)	
24	4	ISO 7380 - M8x65	Bolkop met torx met pin (RVS)	Vis à tête bombée torx avec goupille (Inox)	Flachrundkopf mit torx mit stift (Edelstahl)	Torx button head screws with pin (SS)	
25	4	54900340	Borgmoer (RVS)	Ecrou bloquant (Inox)	Sicherungsmutter (Edelstahl)	Torque nut (SS)	
26	16	54900000	Verz. schroef met torx met pin (RVS)	Vis à tête fraisée torx avec goupille (Inox)	Senkkopfschraube mit torx mit stift (Edelstahl)	Countersunk torx socket head screw with pin (SS)	
27	12	ISO 7380 - M8x10	Bolkop met torx met pin (RVS)	Vis à tête bombée torx avec goupille (Inox)	Flachrundkopf mit torx mit stift (Edelstahl)	Torx button head screws with pin (SS)	
28	16	30910945	Console Premium - Loopwiel	Console Premium - Roue de guidage	Console Premium - Leitrad	Assembly - Console premium - Guide wheel	0,02
29	8	30910940	Console - As loopwiel	Console - Guide arbre de roue	Console - Leitrad Welle	Assembly - Console - Axis guide wheel	0,04
30	4	84001000	Druk verdeel plaat	Plaque de répartition de pression	Druckverteilplatte	Pressure distribution plate	2,83

© Copyright Velopa B.V. - All rights reserved, Art. 31 and seq. of the Copyright Act.  
This document remains property of Velopa B.V. and may not be revealed to third parties,  
duplicated or used for any application, without explicit permission of the owner.

© Copyright Velopa B.V. - Alle rechten voorbehouden, Art. 31 e.v. van de auteurswet.  
Dit document blijft eigendom van Velopa B.V. en mag niet aan derden ter inzage worden gegeven,  
gedupliceerd of voor uitvoering worden gebruikt, zonder uitdrukkelijke toestemming van de eigenaar.

# Mounting instruction Easylift Premium

MI-98909010

Art.no.

bvdwerf

11-09-2017 Rev. 04

WWW.velopa.com

**7/19** CITYSTYLE



## Spare parts list / Liste de pieces de rechange

Art.no.	Onderdeel / Piece / Teil / Part
30909012	Girder C-C 375 - SS 4 pl. - Assembly
30909017	Girder C-C 375 - SS 4 pl. - Assembly (Coated)
30909021	Girder C-C 375 - SS 6 pl. - Assembly
30909026	Girder C-C 375 - SS 6 pl. - Assembly (Coated)
30909031	Girder C-C 375 - SS 8 pl. - Assembly
30909036	Girder C-C 375 - SS 8 pl. - Assembly (Coated)
30909051	Girder C-C 375 - CS 8 pl. - Assembly
30909056	Girder C-C 375 - CS 8 pl. - Assembly (Coated)
30909061	Girder C-C 375 - CS 12 pl. - Assembly
30909066	Girder C-C 375 - CS 12 pl. - Assembly (Coated)
30909071	Girder C-C 375 - CS 16 pl. - Assembly
30909076	Girder C-C 375 - CS 16 pl. - Assembly (Coated)
30909201	Portal - V-stand - Assembly
30909206	Portal - V-stand - Assembly (Coated)
30909211	Portal - Girder SS - Assembly
30909216	Portal - Girder SS - Assembly (Coated)
30909221	Portal - CS - Assembly
30909226	Portal - CS - Assembly (Coated)
30909300	Console Premium - High - Assembly
30909305	Console Premium - High - Assembly (Coated)
30909310	Console Premium - Low - Assembly
30909315	Console Premium - Low - Assembly (Coated)
30909500	V-rail Premium - High - Assembly
30909505	V-rail Premium - High - Assembly (Coated)
30909510	Assembly - V-rail premium - Front wheel draft assembly
30909515	Assembly - V-rail premium - Front wheel draft assembly (Coated)
30909550	V-rail Premium - Low - Assembly
30909555	V-rail Premium - Low - Assembly (Coated)
30909744	B-rack C-C 375 - Girder middle SS - 4 pl. weldment
30909748	B-rack C-C 375 - Girder middle SS - 4 pl. weldment (Coated)
30909722	B-rack C-C 375 - Girder middle SS - 6 pl. weldment
30909727	B-rack C-C 375 - Girder middle SS - 6 pl. weldment (Coated)
30909732	B-rack C-C 375 - Girder middle SS - 8 pl. weldment
30909737	B-rack C-C 375 - Girder middle SS - 8 pl. weldment (Coated)
30919711	B-rack C-C 375 - Girder middle CS - 8 pl. weldment
30919716	B-rack C-C 375 - Girder middle CS - 8 pl. weldment (Coated)
30919721	B-rack C-C 375 - Girder middle CS - 12 pl. weldment
30919726	B-rack C-C 375 - Girder middle CS - 12 pl. weldment (Coated)
30919731	B-rack C-C 375 - Girder middle CS - 16 pl. weldment
30919736	B-rack C-C 375 - Girder middle CS - 16 pl. weldment (Coated)
30929710	B-rack C-C 375 - Girder front - 4 pl. weldment
30929715	B-rack C-C 375 - Girder front - 4 pl. weldment (Coated)
30929720	B-rack C-C 375 - Girder front - 6 pl. weldment
30929725	B-rack C-C 375 - Girder front - 6 pl. weldment (Coated)
30929730	B-rack C-C 375 - Girder front - 8 pl. weldment
30929735	B-rack C-C 375 - Girder front - 8 pl. weldment (Coated)
30909900	V-utter - High - Weldment
30909905	V-utter - High - Weldment (Coated)
30909910	V-utter - Low - Weldment
30909915	V-utter - Low - Weldment (Coated)
30910915	V-rail Basic - Handle front
30910920	V-rail - Stop
30910925	Assembly - V-rail Premium - End cap
30910926	V-rail Premium - Front cap
30910930	Assembly - Console Premium - Cover
30910931	Assembly - Console Premium - Cover contra part
30910940	Assembly - Console - Axis guide wheel
30910945	Assembly - Console Premium - Guide wheel
30910960	Portal - V-stand - Protection sleeve
30910970	Assembly - V-rail premium - Wheel director front
30910972	Assembly - V-rail premium - Wheel director back
30907650	V-rail Premium - Handle front
30907660	V-rail Premium - Handle back

Art.no.	Onderdeel / Pièce / Teil / Part
51900193	Assembly kit; extended to basic module
51900203	Assembly kit; single-side module for 4 positions
51900213	Assembly kit; single-side module for 8 positions
51901203	Assembly kit; double-side module for 8 positions
51900233	Assembly kit; single-side module for 16 positions
51901213	Assembly kit; double-side module for 16 positions
51900223	Assembly kit; single-side module for 12 positions
51901223	Assembly kit; double-side module for 24 positions
51901233	Assembly kit; double-side module for 32 positions

# Mounting instruction Easylift Premium

MI-98909010

Art.no.

bvdwerf

11-09-2017 Rev. 04

www.velopa.com

8/19


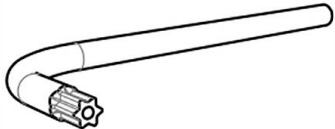
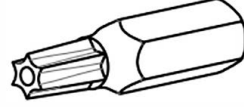
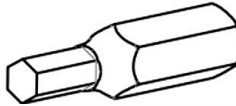

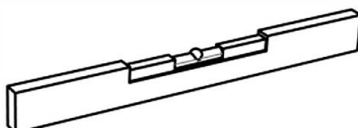


**Tools Required (minimum)**

Assembly with minimum of 2 people

**Les outils requis (minimum)**

Montage exécuté avec min. 2 personnes

Steeksleutel maat 13, 19	
Cléf à écrou taille 13, 19	
Mutterschlüssel Größe 13, 19	
Wrench Metric Size 13, 19	
Torxsleutel <u>met pin-gat</u> T-greep maat TX30	
Clé Torx <u>avec trou d'épingle</u> T-grip taille TX30	
Torxschlüssel <u>mit Pin-Loch</u> T-Griff Größe TX30	
T-Handle Torx <u>with pin-hole</u> Metric Size TX30	
Torx bit <u>met pin-gat</u> maat TX30, TX40, TX50	
Torx bit <u>avec trou d'épingle</u> taille TX30, TX40, TX50	
Torx-bit <u>mit Pin-Loch</u> Größe TX30, TX40, TX50	
Torx bit <u>with pin-hole</u> Metric Size TX30, TX40, TX50	
Inbus bit maat SW5	
Imbus bit taille SW5	
Inbus-bit Größe SW5	
Hex key bit Metric Size SW5	
Elektrische Slagmoersleutel	
Visseuse électrique	
Elektro Schlagschrauber	
Electric Impact Driver	
Magneet waterpas	
Niveau à bulle magnétique	
Magnetische Wasserwaage	
Magnetic Level	



# Mounting instruction Easylift Premium

MI-98909010

Art.no. various

bvdwerf

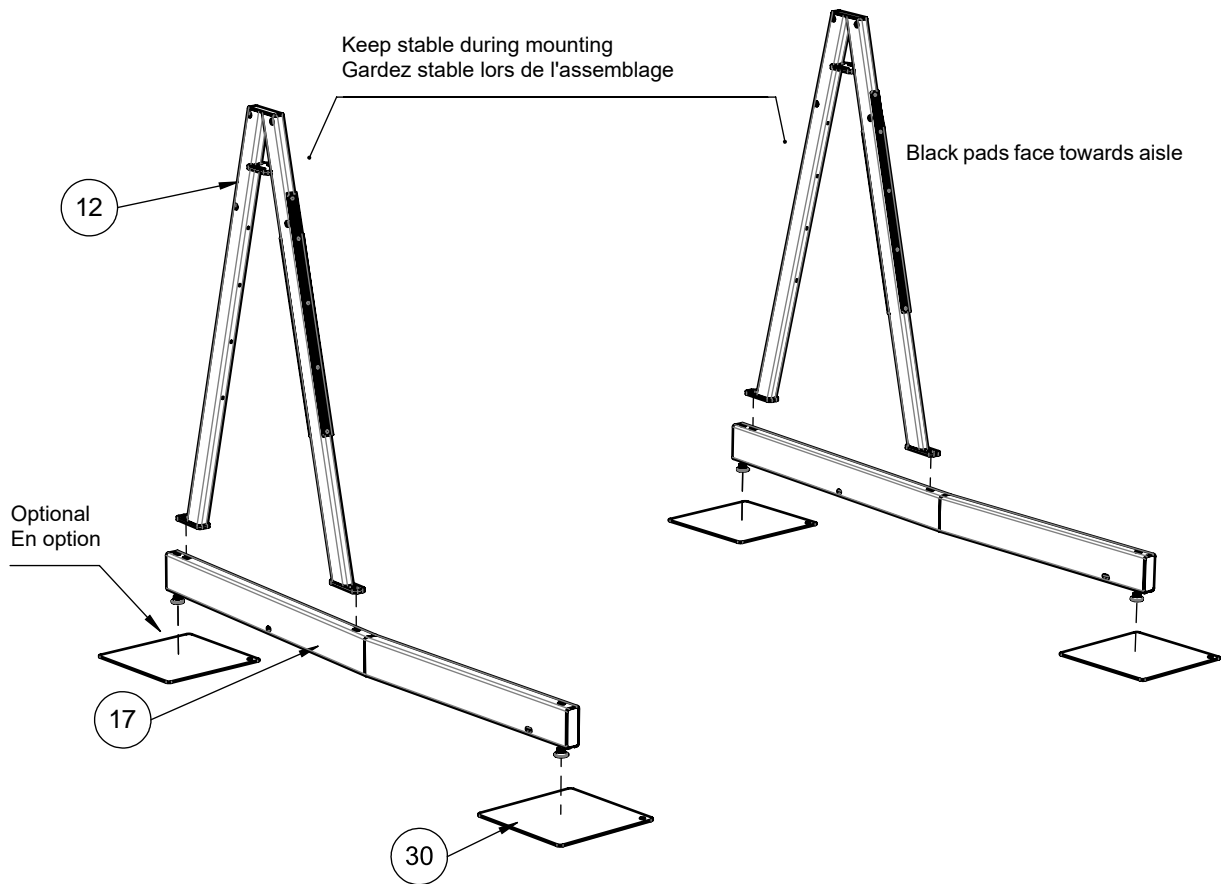
11-09-2017 Rev. 04

www.velopa.com

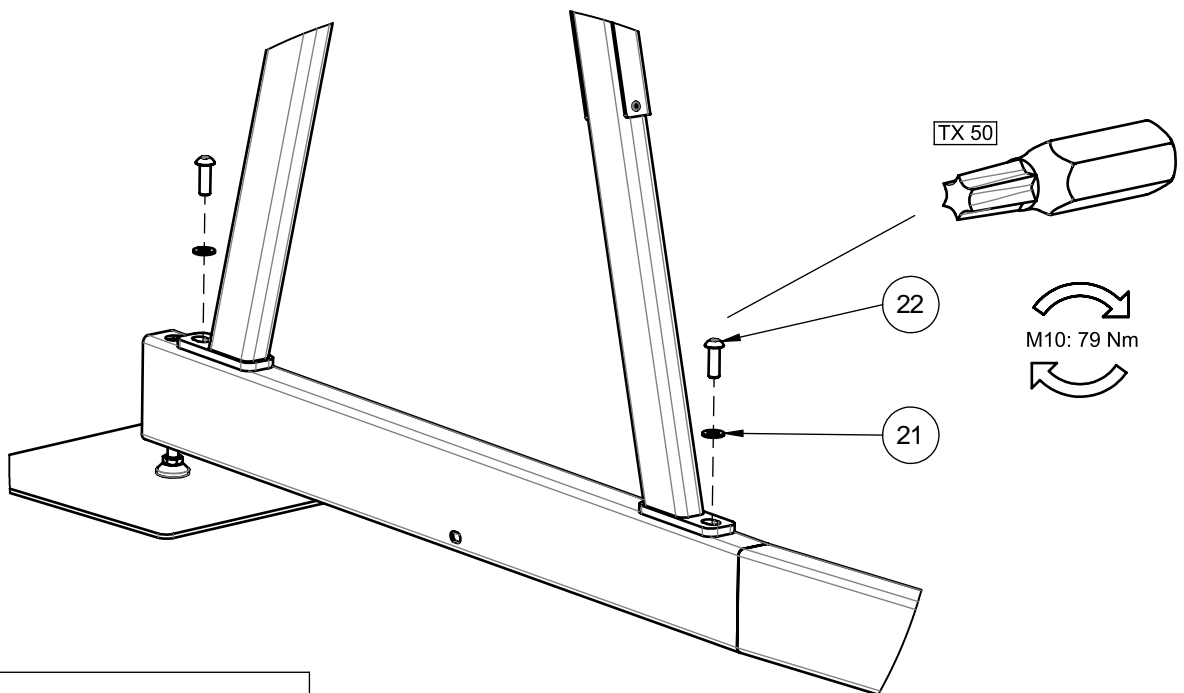
9/19



1



2\*



\* For double-sided, proceed to step 3  
\* Pour la construction bilatérale, passez à l'étape 3

# Mounting instruction Easylift Premium

MI-98909010

Art.no. various

bvdwerf

11-09-2017 Rev. 04

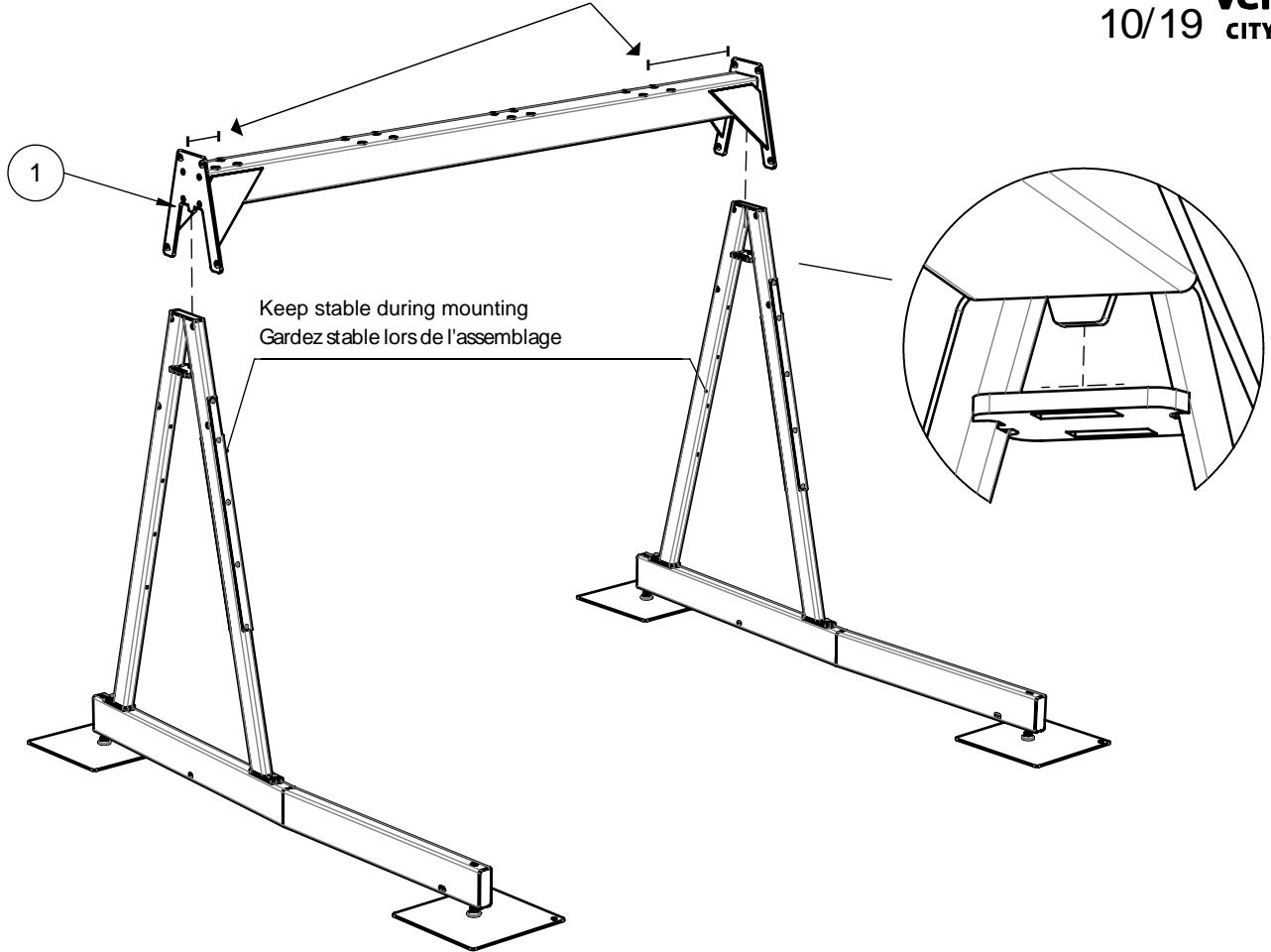
www.velopa.com

10/19

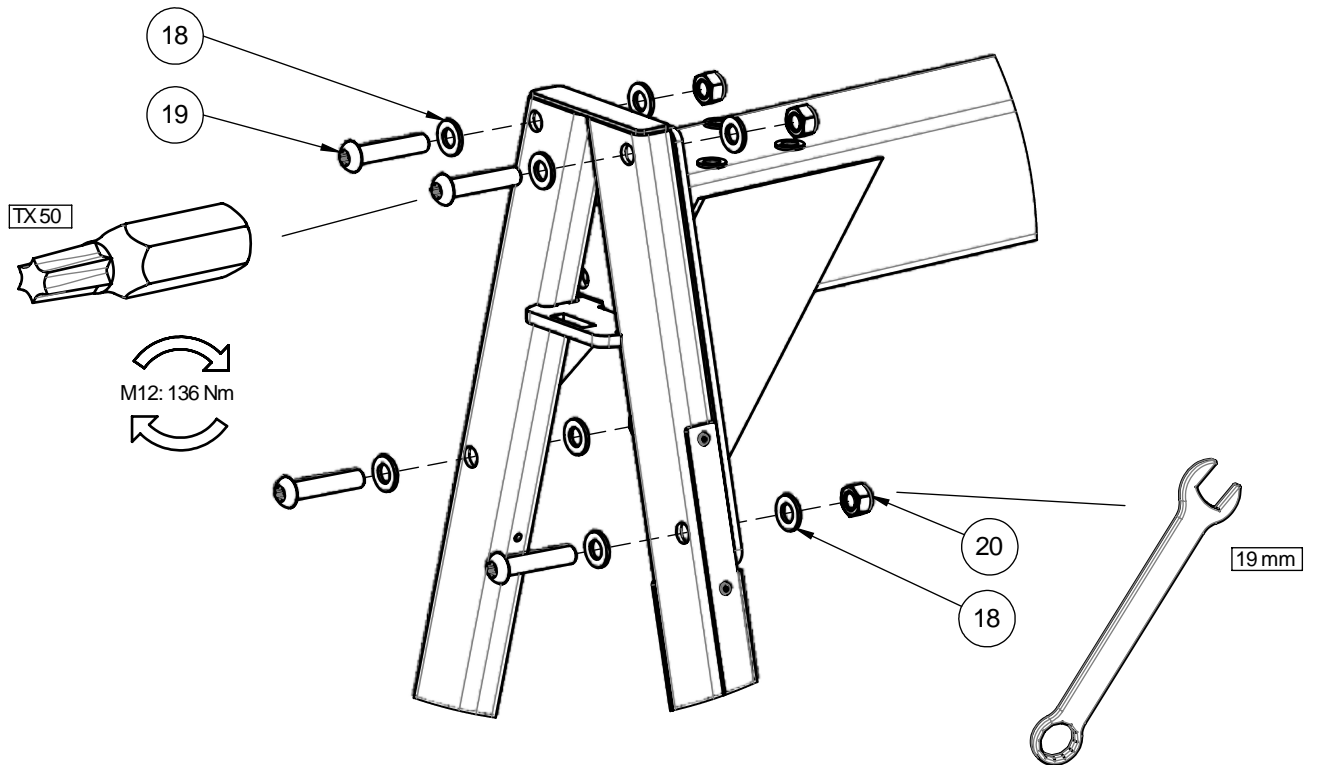


Wider gap goes on this side

3



4



# Mounting instruction Easylift Premium

MI-98909010

Art.no. various

bvdwerf

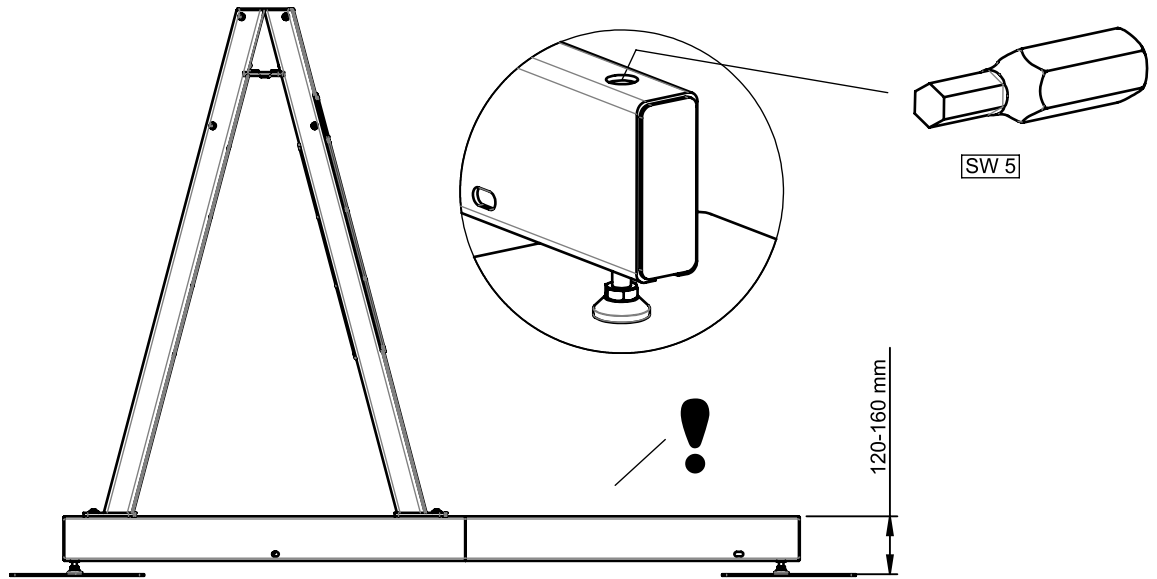
11-09-2017 Rev. 04

www.velopa.com

11/19

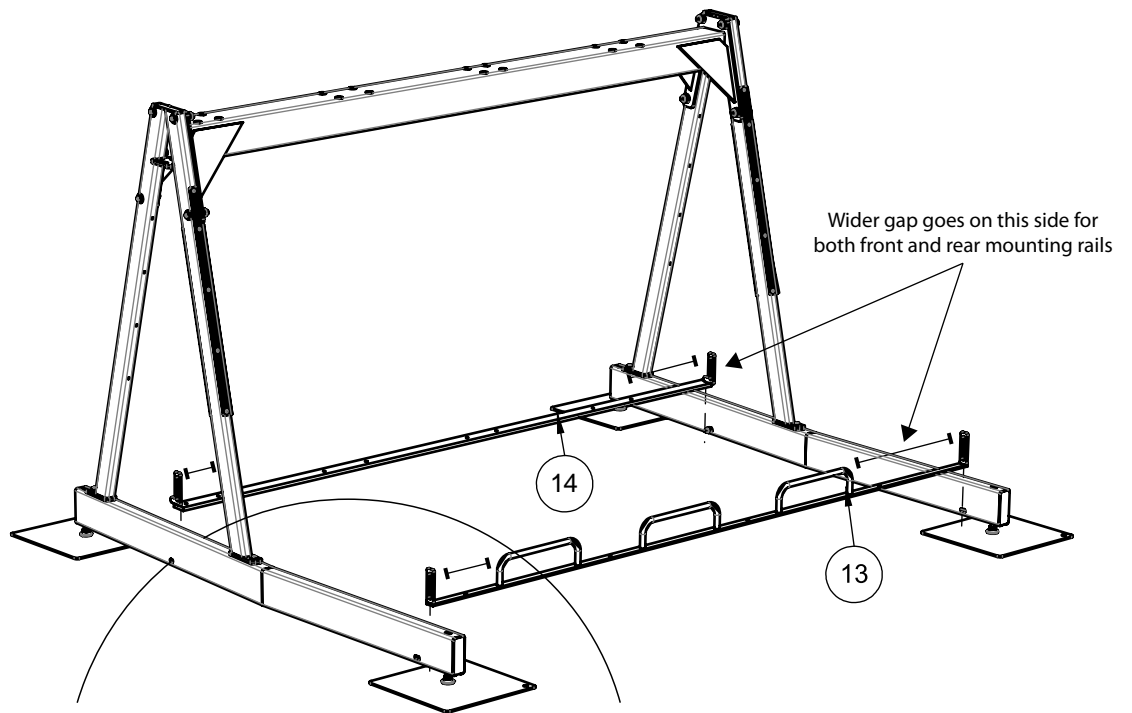


5

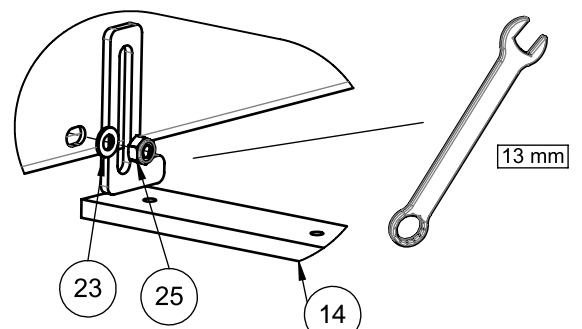
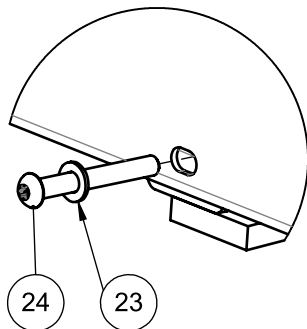
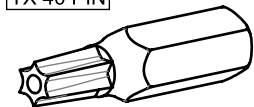


Adjust the product so it is level and stable, this limits noise and vibration during use  
 Maintenir la structure stable et de niveau, cela limitera le bruit et les vibrations ultérieures lors de l'utilisation

6



TX 40 PIN



# Mounting instruction Easylift Premium

MI-98909010

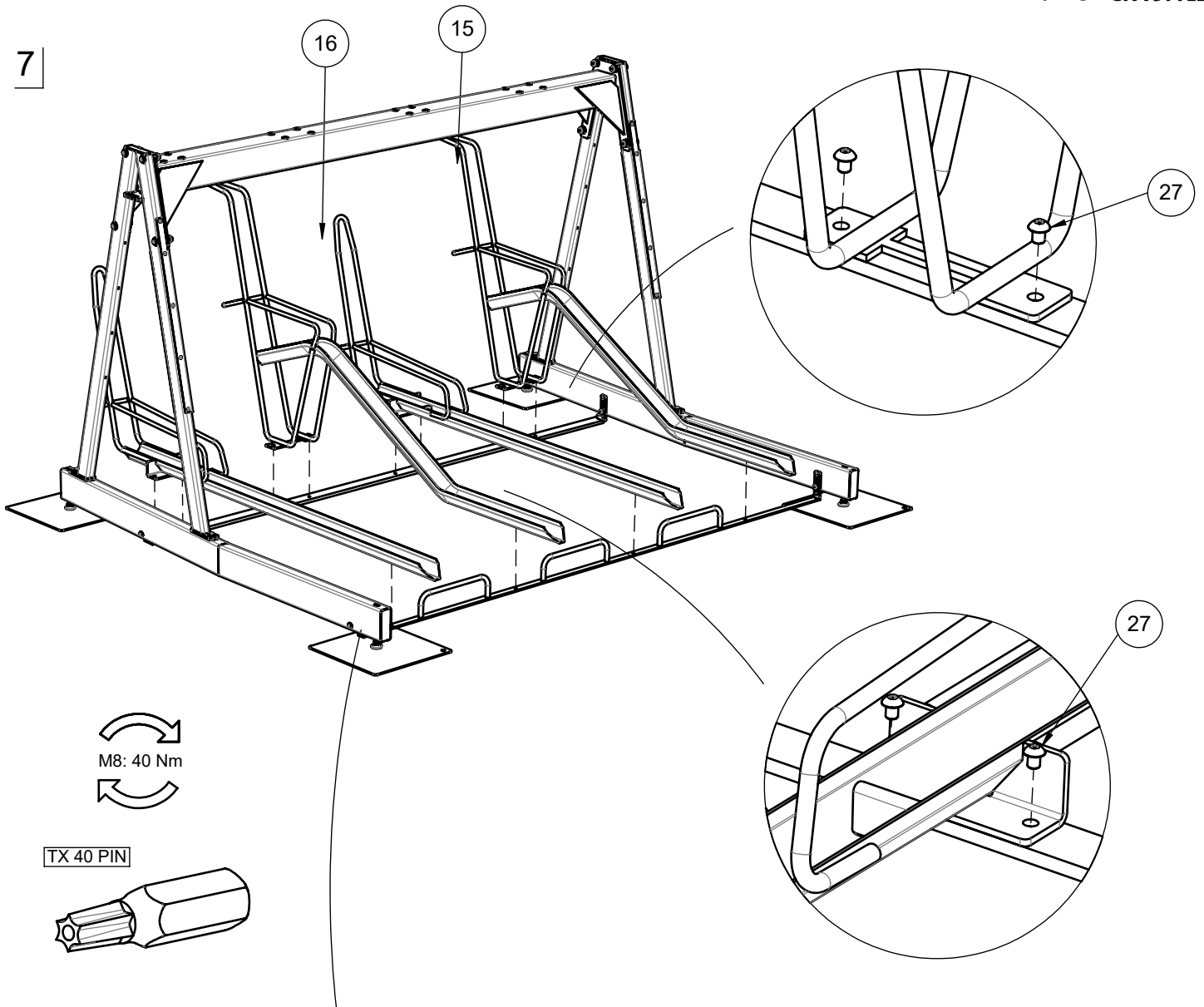
Art.no. various

bvdwerf  
11-09-2017 Rev. 04  
www.velopa.com

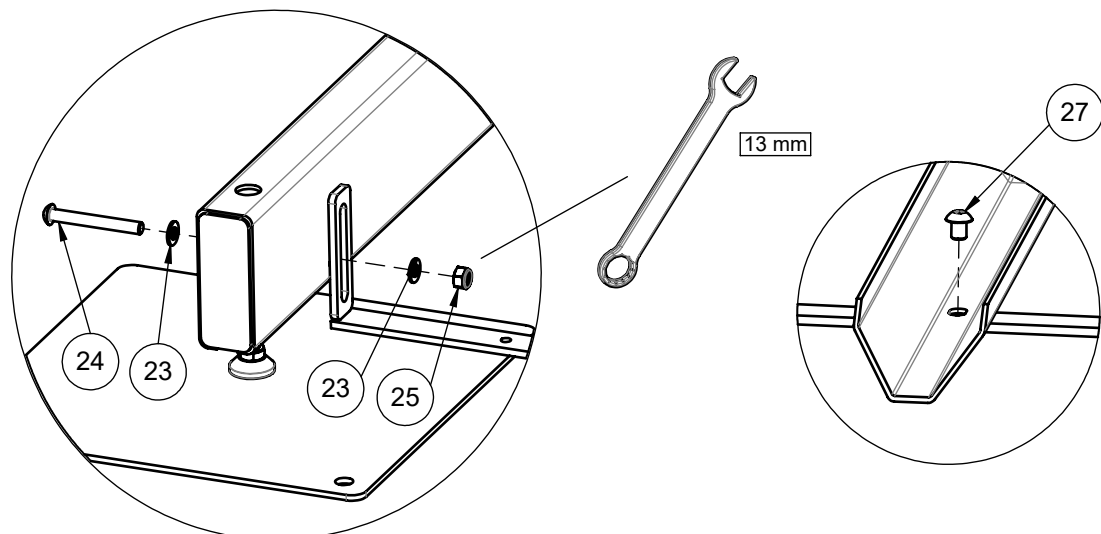


12/19

7



8



# Mounting instruction Easylift Premium

MI-98909010

Art.no. various

bvdwerf

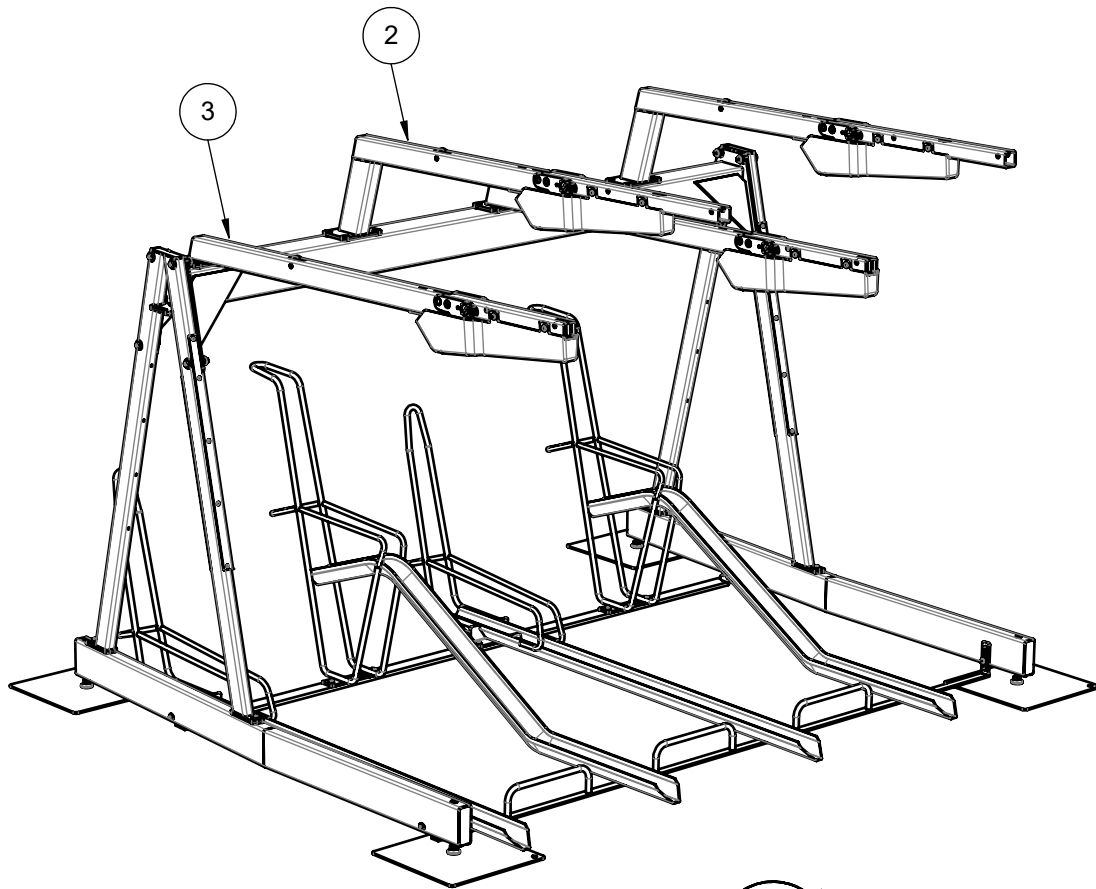
11-09-2017 Rev. 04

www.velopa.com

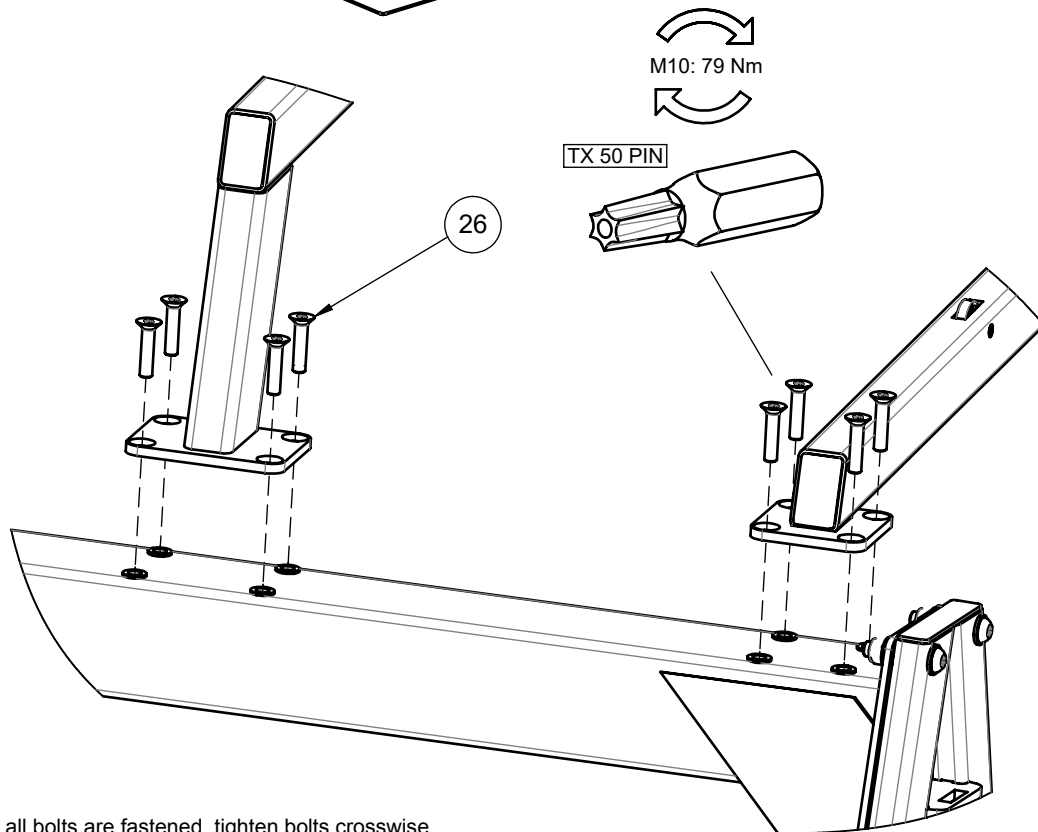
13/19



9



10



Hold consoles until all bolts are fastened, tighten bolts crosswise  
Maintenir la console jusqu'à ce que tous les boulons soient serrés. Serrez les boulons en croix

# Mounting instruction Easylift Premium

MI-98909010

Art.no. various

bvdwerf

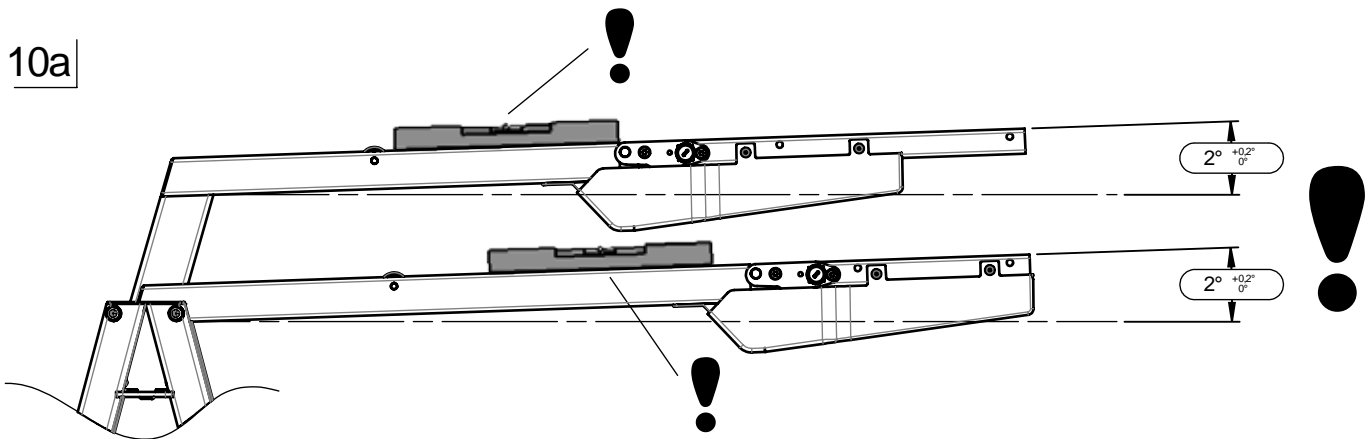
11-09-2017 Rev. 04

www.velopa.com

14/19



10a



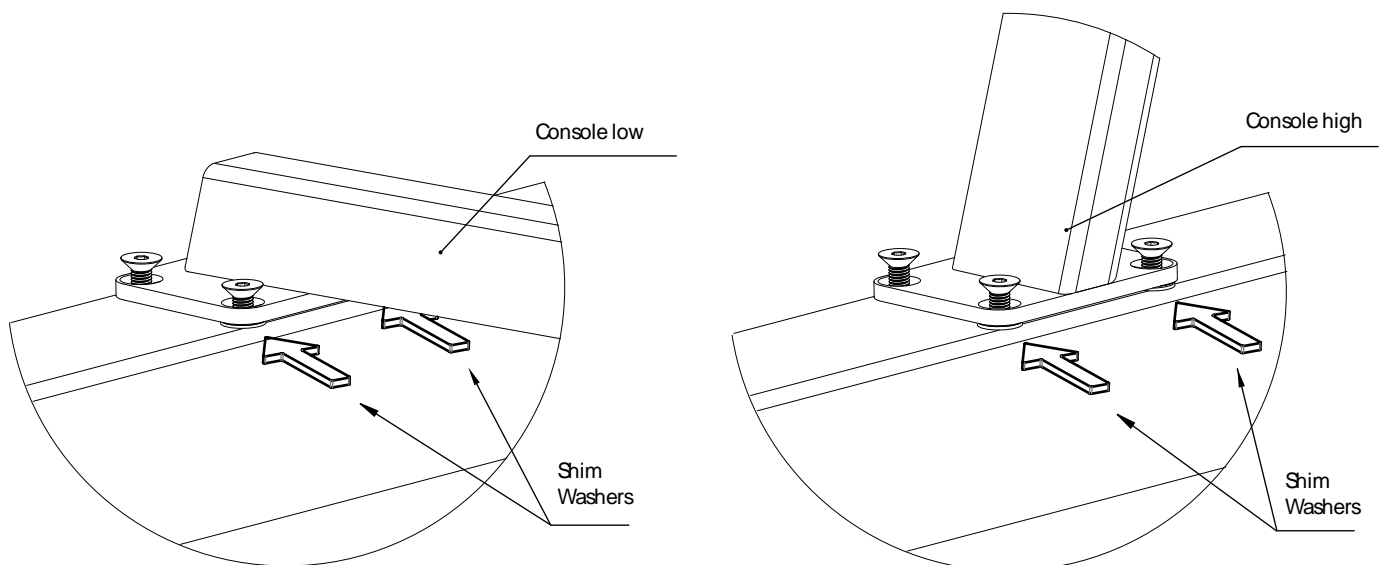
## Attention:

- The angle of the consoles after mounting are 2 degrees biased upwards (as shown).
- See 10b below for adjusting consoles with shim washers if required.

(10b)

If adjusting angle with shim washers is required:

- Loosen 4x console bolts
- Remove 2x front bolts
- Install shim washers between console and cross-beam (as shown)
- Reinstall front bolts
- Tighten all console bolts
- Check angle of console is per 10a or that tray stays down when deployed (add or remove shim washers as needed).



# Mounting instruction Easylift Premium

MI-98909010

Art.no. various

bvdwerf

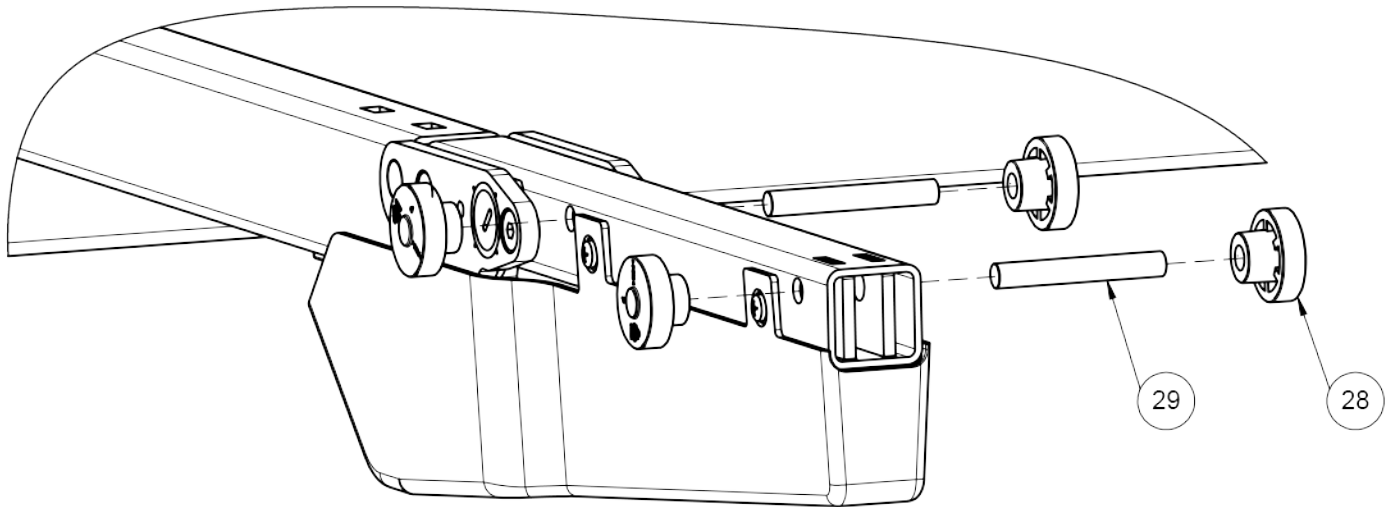
11-09-2017 Rev. 04

www.velopa.com

15/19

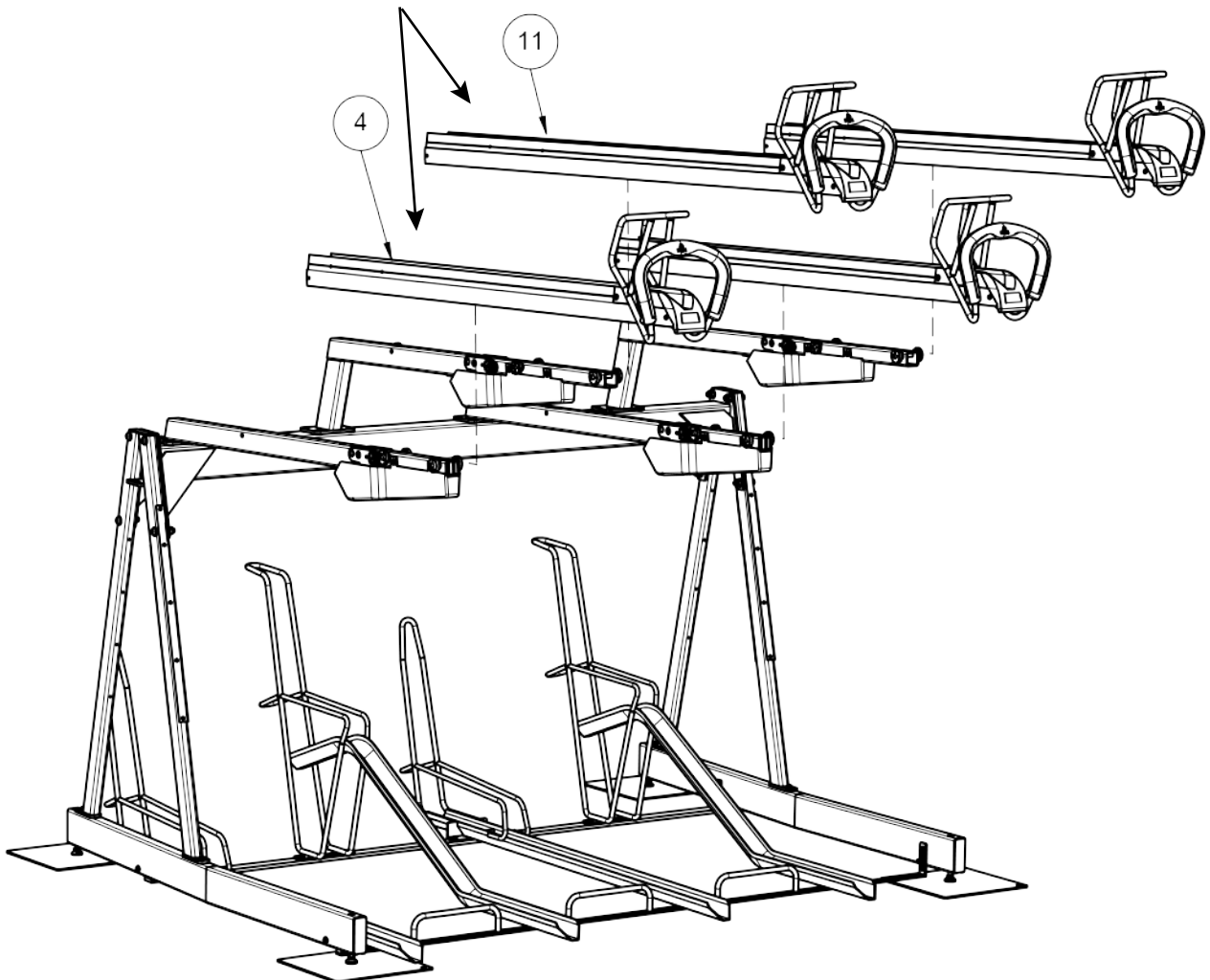


11



Note: The consoles in the higher positions are 200mm longer than the consoles in the lower positions.

12



# Mounting instruction Easylift Premium

MI-98909010

Art.no. various

bvdwef  
11-09-2017 Rev. 04

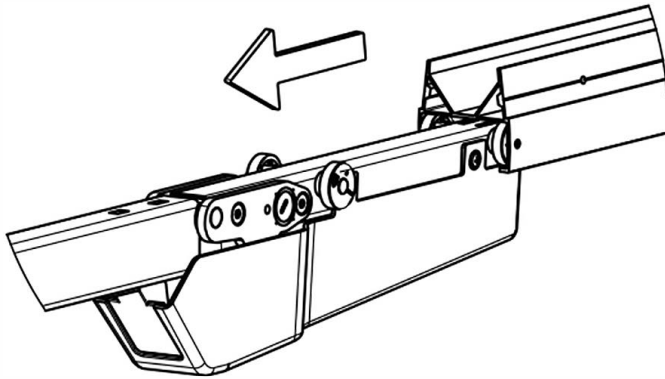
www.velopacom

16/ 19

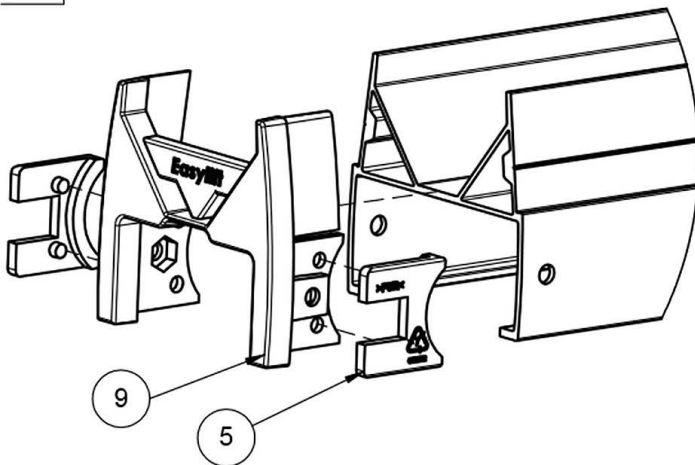
**VelopA**  
CITYSTYLE

Note: The consoles in the higher positions are 200mm longer than the consoles in the lower positions.

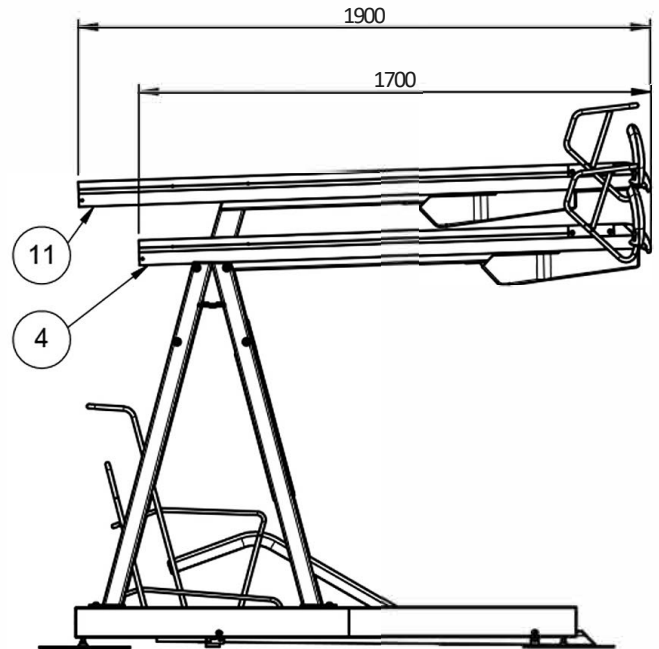
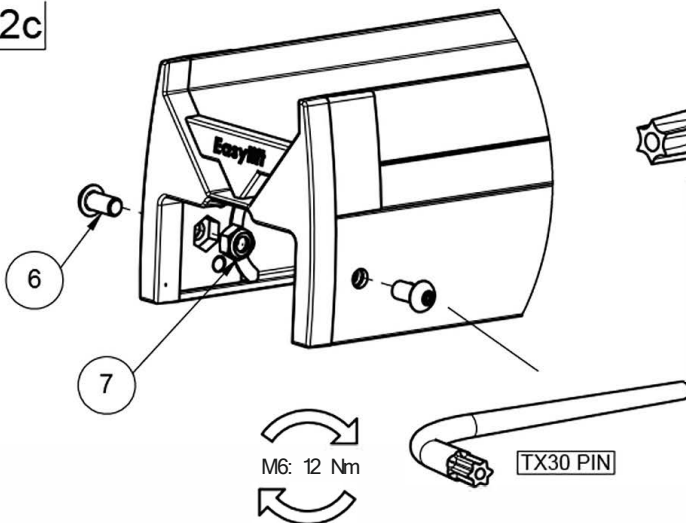
12a



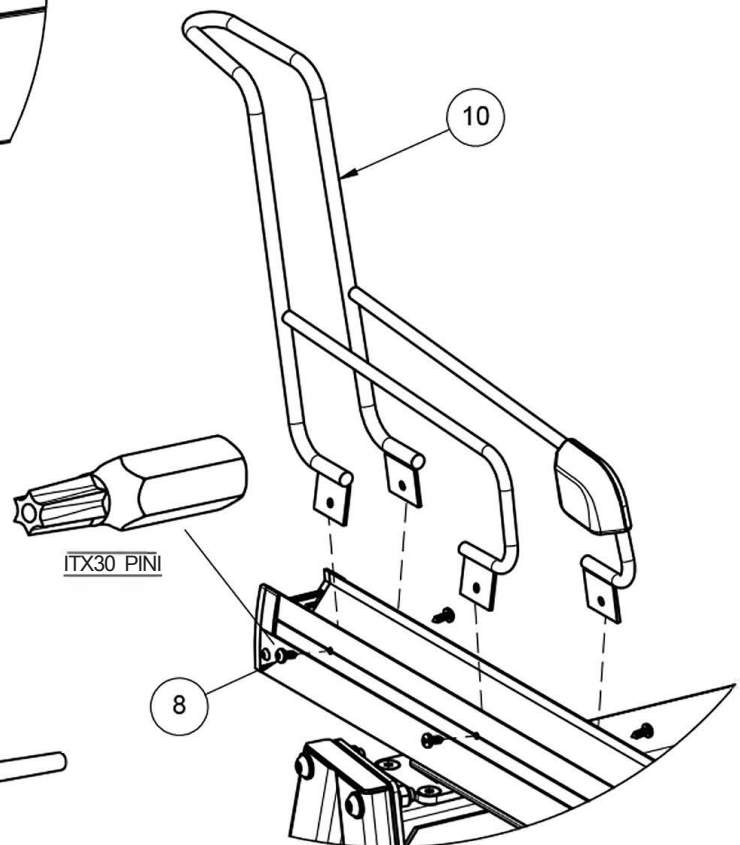
12b



12c



12d





# Mounting instruction Easylift Premium (ICF)

**MI-98909020**

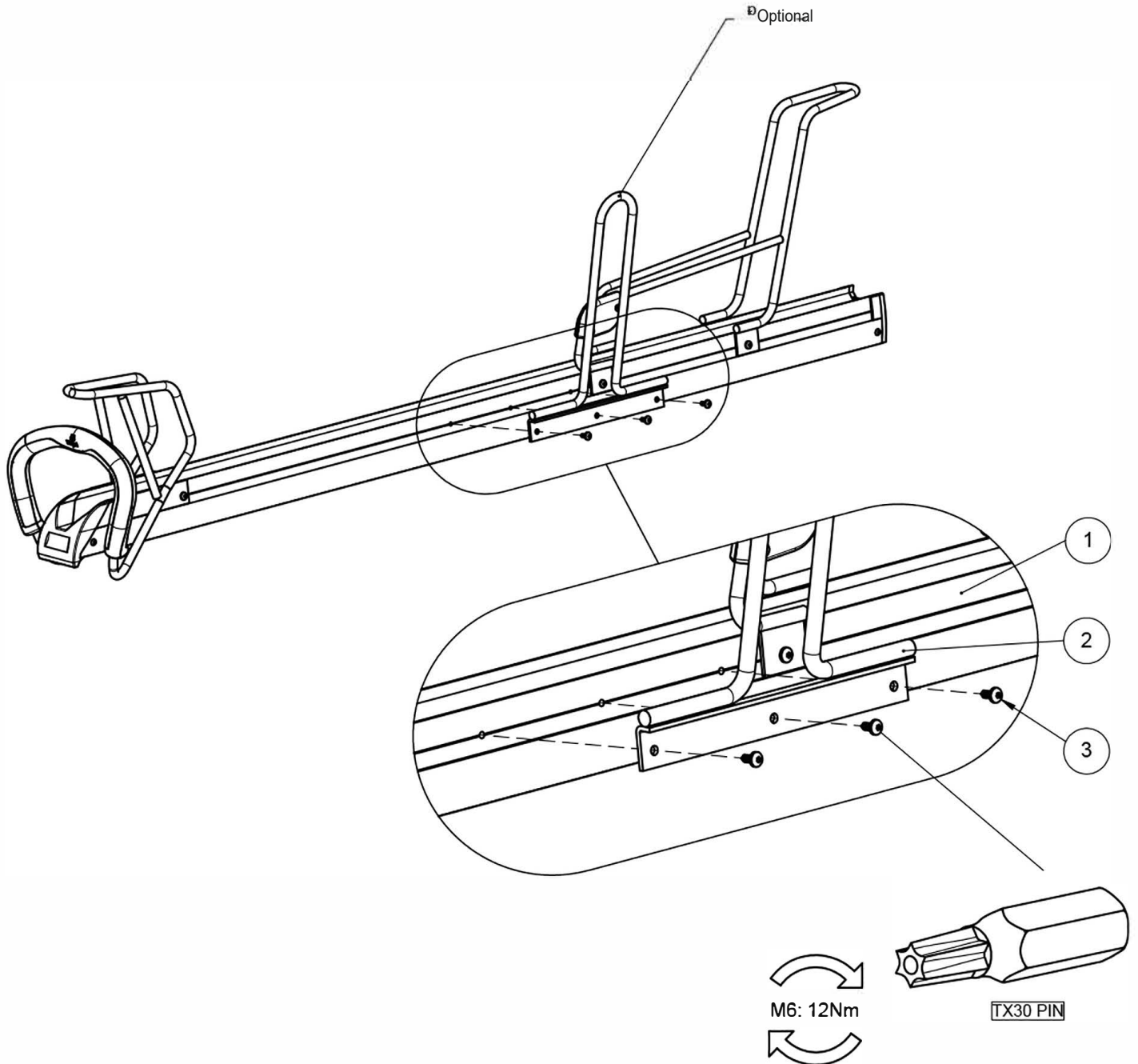
Art.no. 30909501

V-rail EL Premium - ICF - High  
V-rail Premium - Haute ICF

bvdwerf  
11-09-2017 Rev. 04

www.velopa.com

17/19



Pos. no.	Qty.	Art.no.				
1	1	30909501	V-rail Premium - Hoog ICF	V-rail Premium - Haute ICF	V-rail Premium - Hoch ICF	V-rail EL Premium - ICF - High - Assembly
2	1	30909520	V-rail EL Premium - ICF - Aanbindbeugel	V-rail EL Premium - ICF - Dispositif pour d'attache	V-rail EL Premium - ICF - Anbindebügel	V-rail EL Premium - ICF - Locking bar weidment
3	3	DIN 7981C - Ø6,3x16	Torx-schroef met pin (RVS)	Vis de Torx avec goupille (Inox)	Torx-Schraube mit Stift (Edelstahl)	Torx-screw with pin (SS)

# Mounting instruction Easylift Premium

MI-98909010

Art.no. various

bvdwerf

11-09-2017 Rev. 04

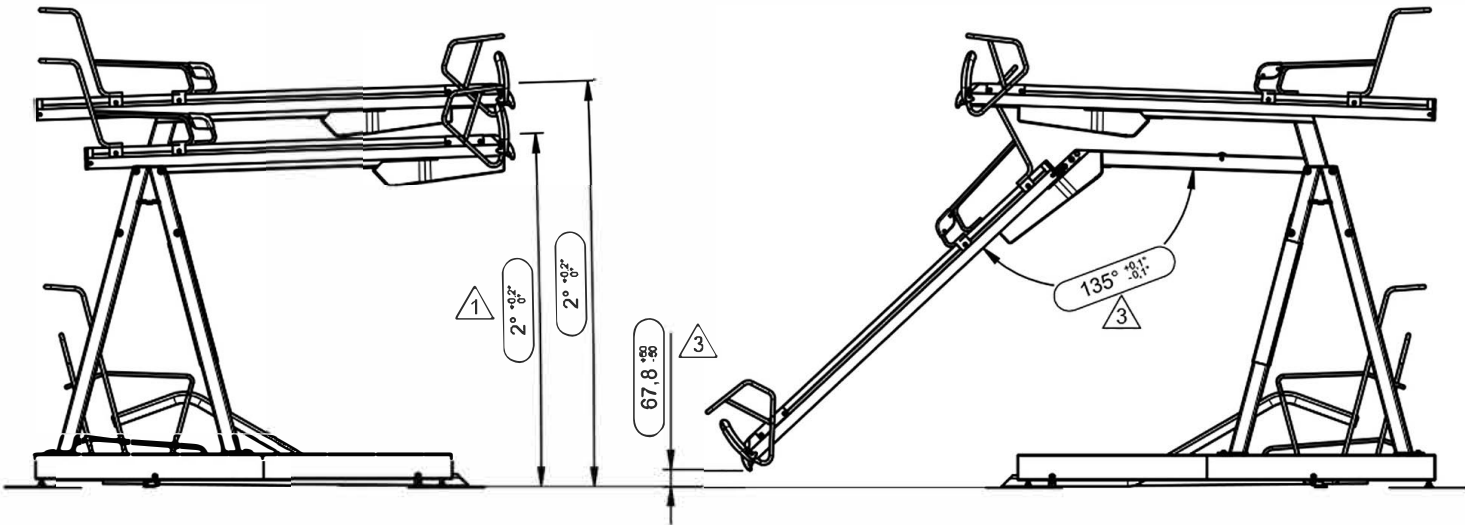
www.velopa.com

18/19



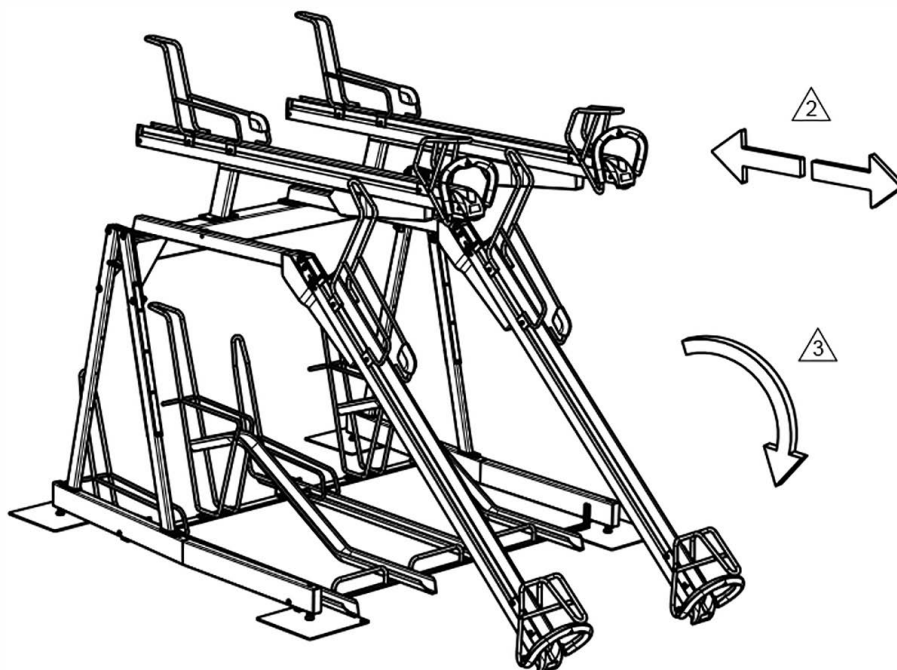
## Final check / Vérification finale

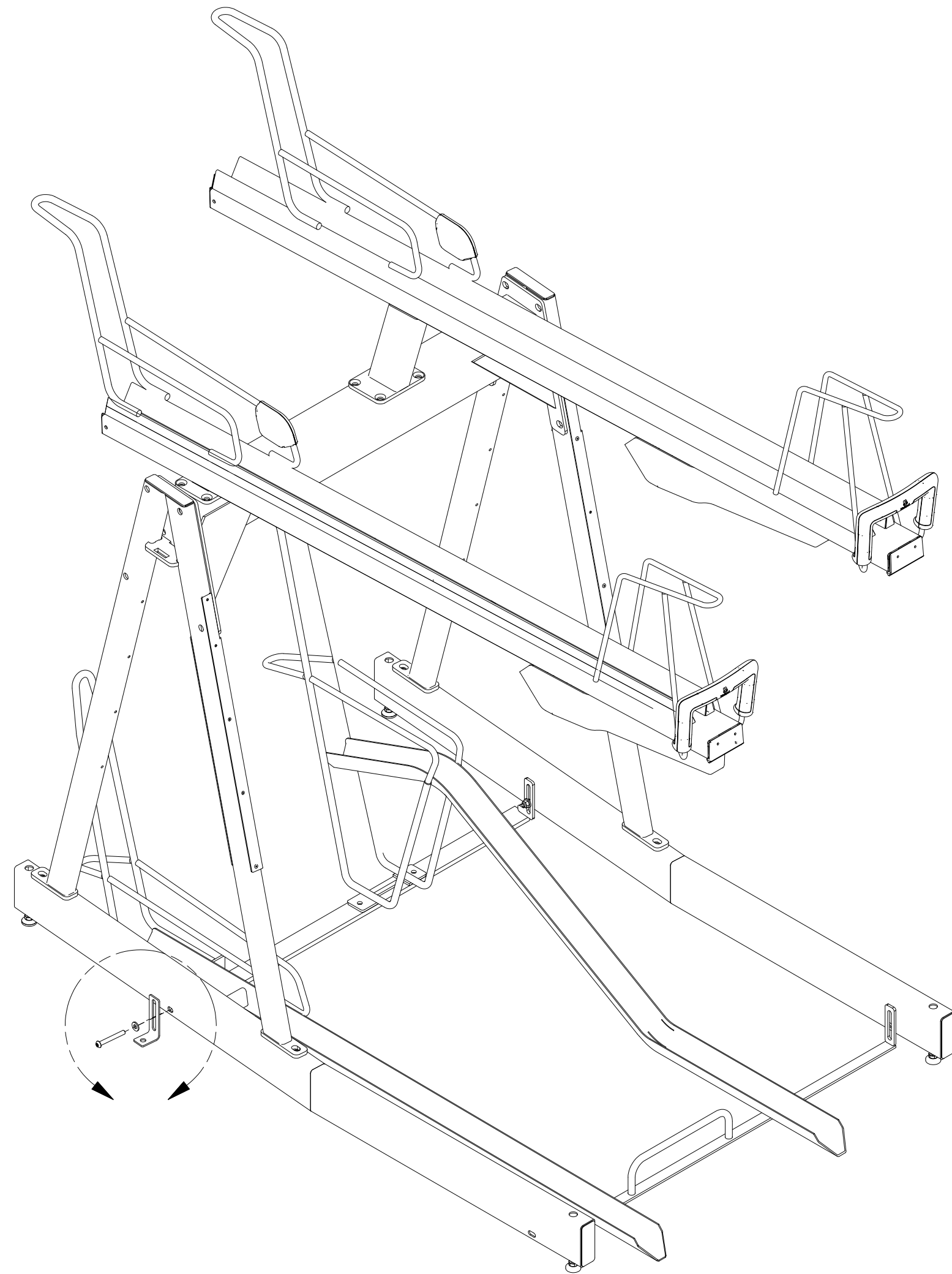
1. Angle of 2° is needed for drainage and also serves as roll out security
1. Un angle de 2° est indispensable pour les écoulement d'eau et le maintient du vélo



2. V-rail must be pulled in and out to check the guidance
2. V-rail doivent être tirés dans et hors de vérifier la direction

3. Check angle and height for proper operation of the hinge. If trays do not stay down when deployed, refer to Step 10b.
3. Vérifier l'angle et la hauteur pour le bon fonctionnement de la charnière

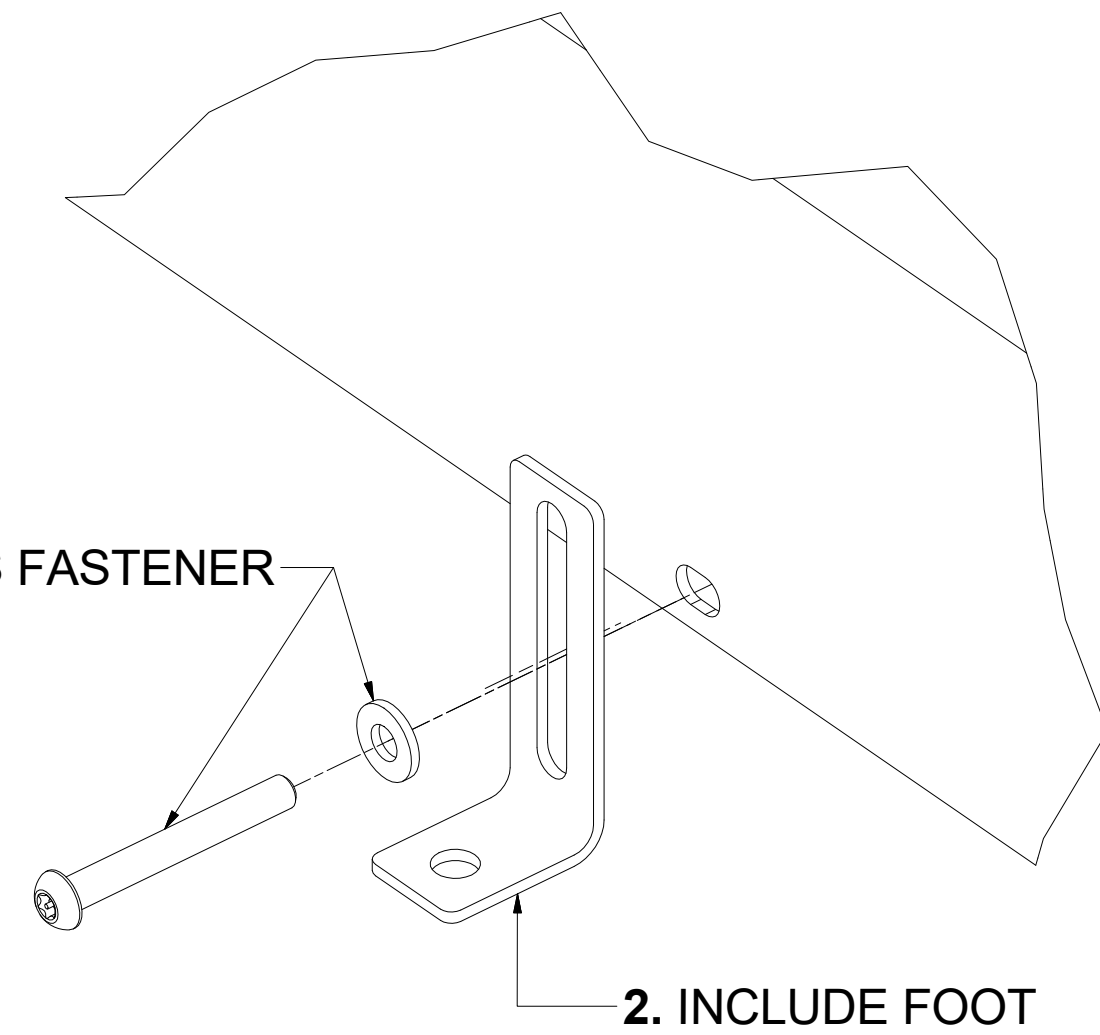




**NOTE:** ANCHOR FEET RECOMMENDED FOR INDIVIDUAL SINGLE-SIDED 4 BIKE RACKS AND INDIVIDUAL DOUBLE-SIDED 8 BIKE RACKS.

**STEP 1**

1. UNBOLT THIS FASTENER

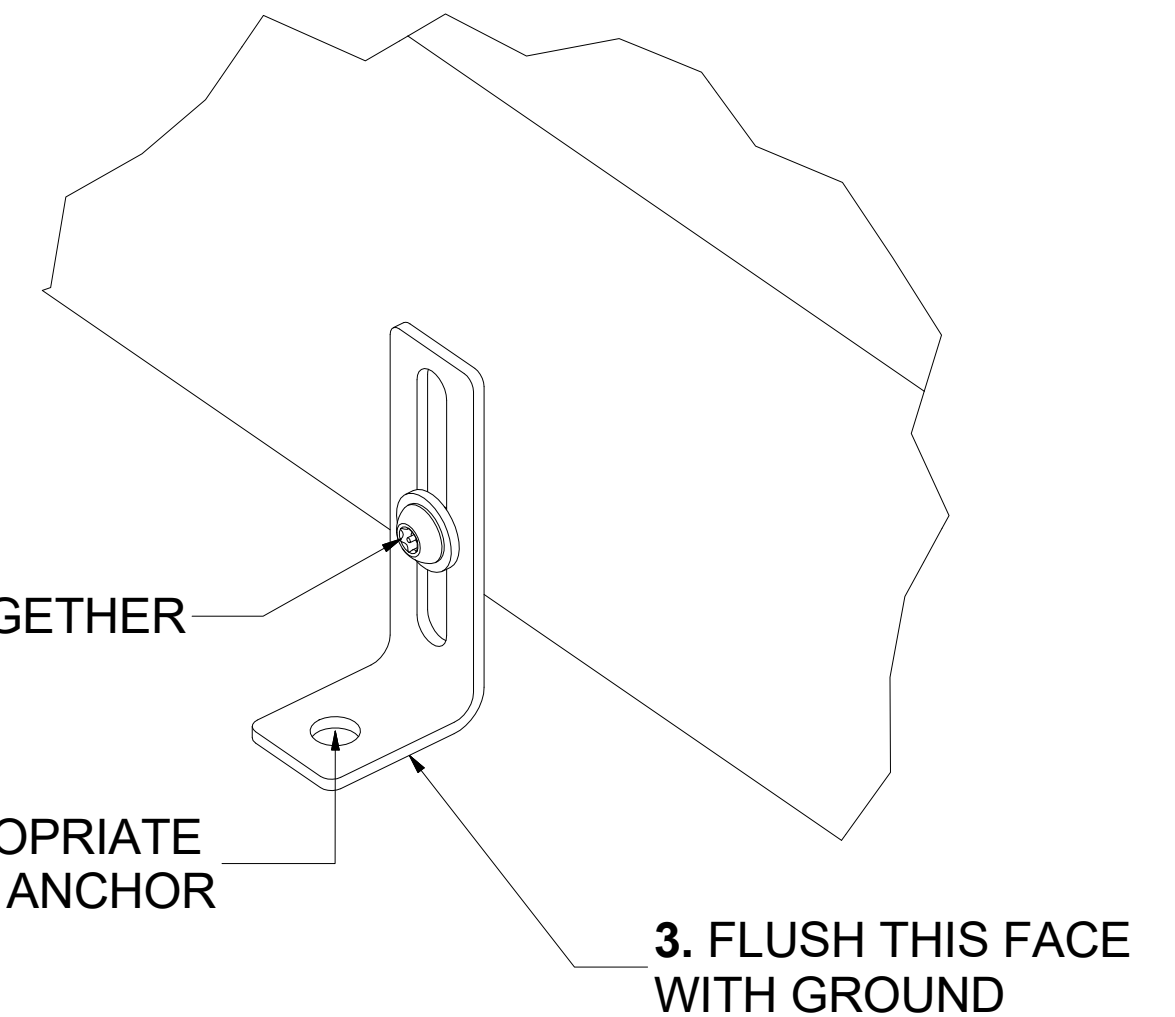


**STEP 2**

4. BOLT TOGETHER

5. INSTALL APPROPRIATE 3/8" DIAMETER ANCHOR

6. REPEAT FOR OPPOSITE SIDE

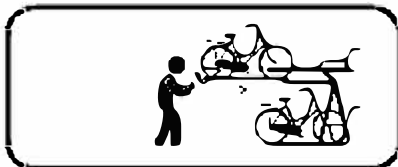
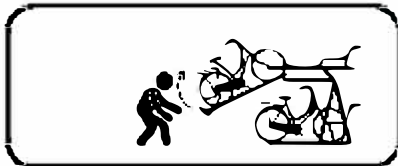
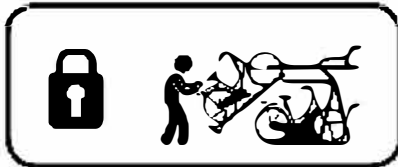
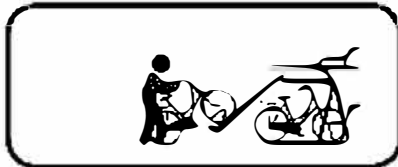
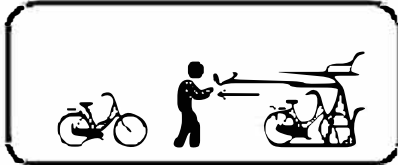


# How to Use Easylift Premium

Bedieningsinstructie / Anweisung / Instruction

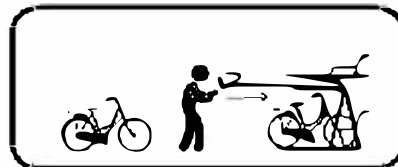
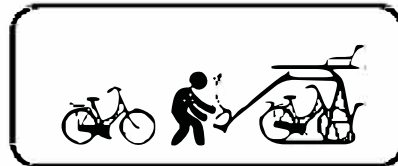
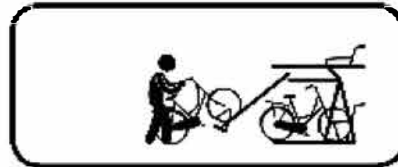
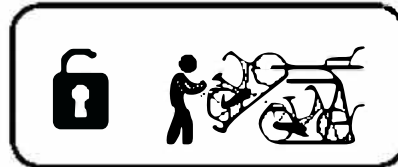
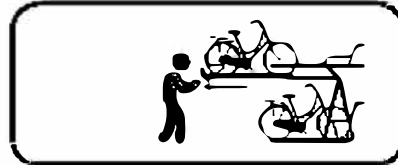
## Arrival

Aankomst / Ankunft / Arrivée



## Departure

Vertrek / Abfahrt / Depart

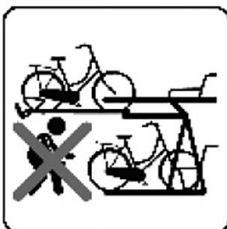


**Important: Please use in a controlled manner**

**Belangrijk: alle handelingen beheerst uitvoeren**

**Wichtig: Führen Sie alle abgebildeten Handlungen sorgfältig aus!**

**Important: Effectuer toutes les manoeuvres décrites !**



**Important: never go under loaded and extended V-rails because of entrapment hazard**

**Belangrijk: niet onder beladen en uitgeschoven V-rails begeben in verband met beknellingsgevaar**

**Important: ne jamais se déplacer sous un V-rail sorti afin d'éviter tout risque d'impact ou de coincement**

**Wichtig: nicht unter beladenen oder ausgezogene V-Schienen begeben im Zusammenhang mit Quetschungsgefahr**