



Vertical+ Direct Wall Mount Bicycle Rack

Capacity: 1  Warranty: 1 Year

Single Sided Dimensions

- » Optional No Scratch® bumper and cushioned hook prevent bicycle damage
- » Secure design that is u-lock compatible
- » Gear hanger
- » Vertical bicycle parking

Product Specifications

Materials:

- » Mild Steel
 - » Bicycle Support Loops: 1.0" x 1.0" x .060" Square Tubing
 - » Mounting Bracket: .1875" Plate (milde steel)
- » Optional Polyurethane No Scratch® Bumper

Standard Finish:

- » Bicycle Support Loops: Powder Coated

Standard Mounting:

- » Wall Mount

Hardware

- Concrete Lag Screws
- Concrete Wedge Anchors (standard)
 - + Tamper Resistant Nuts (recommended)
- E-Z Lock inserts for mounting to 3/4" thick plywood

Bicycle Spacing Recommendations:

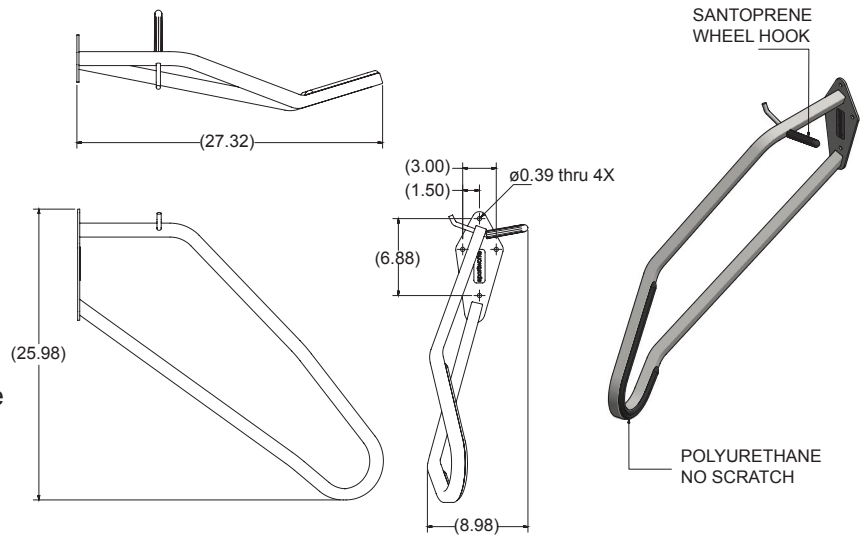
- 13"
- 16"
- 17"
- 18"

No Scratch® Option:

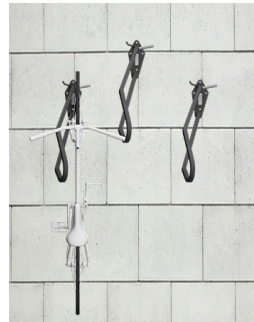
- Include No Scratch® Bumper
- Exclude No Scratch® Bumper

For complete dimensions please see the technical drawing located on our website:

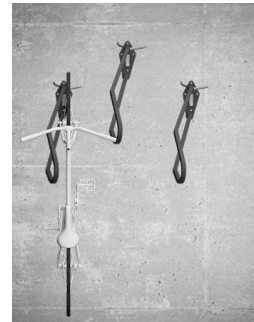
<https://www.sportworks.com/product/vertical-direct-mount>



Common Mounting Surfaces



Concrete Block



Poured Concrete



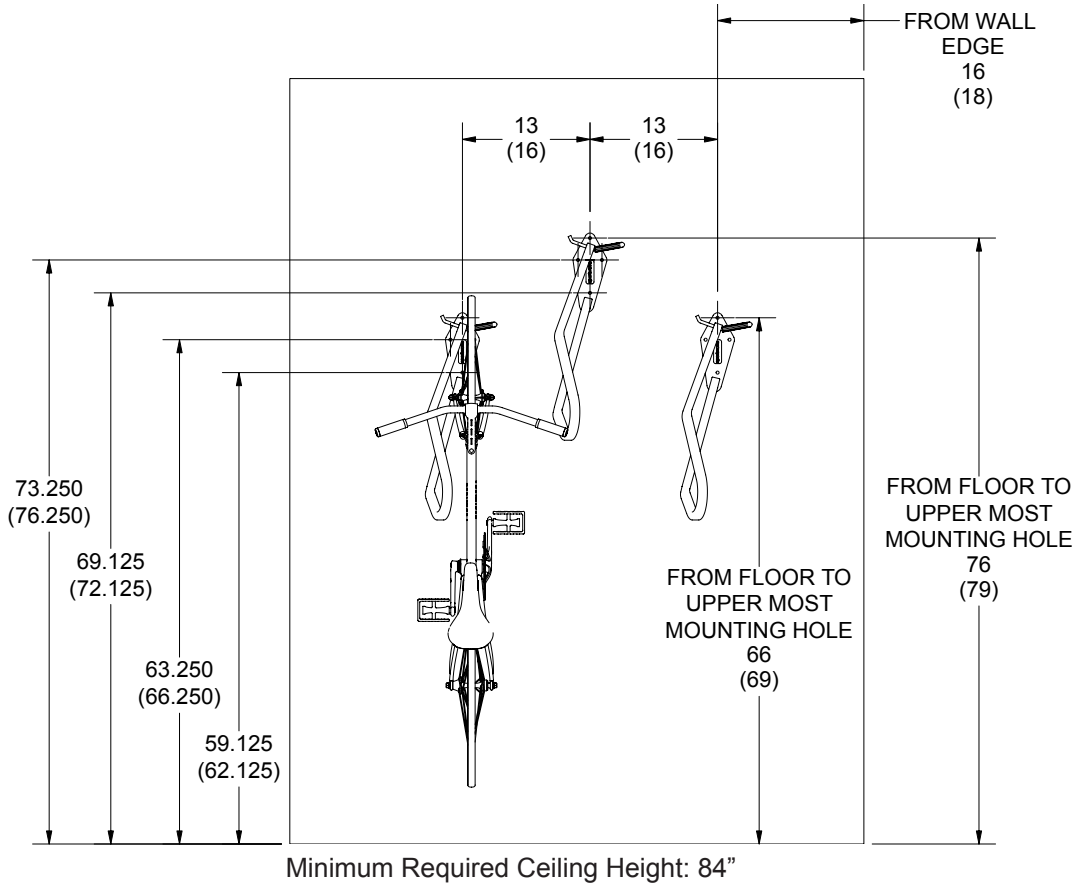
Plywood Over Drywall

Mounting hardware varies by wall type. Our sales team can assist you in selecting the right hardware for your installation. You can also visit our resources section on our website for installation instructions including guidelines for plywood sizing and placement: <https://www.sportworks.com/howto>

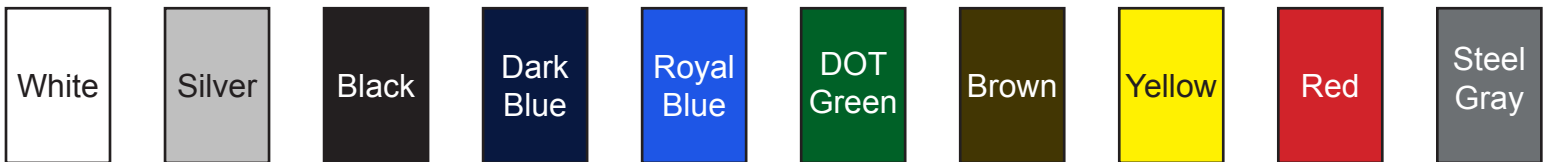
Spacing and Setbacks

*Many local governments will specify minimum spacing and setback requirements

**All dimensional drawings are in inches. Minimum dimensions are placed above the recommended dimensions. Recommended dimensions are in ().



Powder Coat Color Options:



Contractor: _____

Job: _____

Notes: _____

Contact Information:

888-661-0555
sales@sportworks.com
www.sportworks.com

15540 Woodinville Redmond Rd
 NE, Bldg A-200,
 Woodinville, WA 98072

