



Vertical+ Floor Mount Bicycle Rack

Capacity: Dependent on project needs Warranty: 1 Year

- » Optional No Scratch® bumper and cushioned hook prevent bicycle damage
- » U-lock compatible, square tubing, and hidden fasteners for maximum security
- » Low profile capped mounting rails minimize trip hazards
- » Modular design for rapid assembly

Product Specifications

Materials:

- » Mild Steel
 - » Bicycle Support Loops: 1.0" x 1.0" x .060" Square Tubing
 - » Cross-Members: 1.25" Schedule 40 pipe
 - » Towers: 2.5" x 2.5" x .125" Square Tubing
- » Mounting Rails" 5.35" x 1.25" Aluminum Extrusion
- » Optional Polyurethane No Scratch® Bumper
- » Optional Integrated Locking Cable

Standard Finish:

- » Bicycle Support Loops: Powder Coated
- » Towers: Powder Coated
- » Cross-Members: Galvanized
- » Mounting Rails: Clear Anodized

Standard Mounting:

- » Surface Mounting Rails

Hardware

- Concrete Wedge Anchors (standard)
- + Tamper Resistant Nuts (recommended)

Bicycle Spacing Options: Configuration:

- | | |
|------------------------------|---------------------------------------|
| <input type="checkbox"/> 13" | <input type="checkbox"/> Single Sided |
| <input type="checkbox"/> 16" | <input type="checkbox"/> Double Sided |
| <input type="checkbox"/> 17" | |
| <input type="checkbox"/> 18" | |

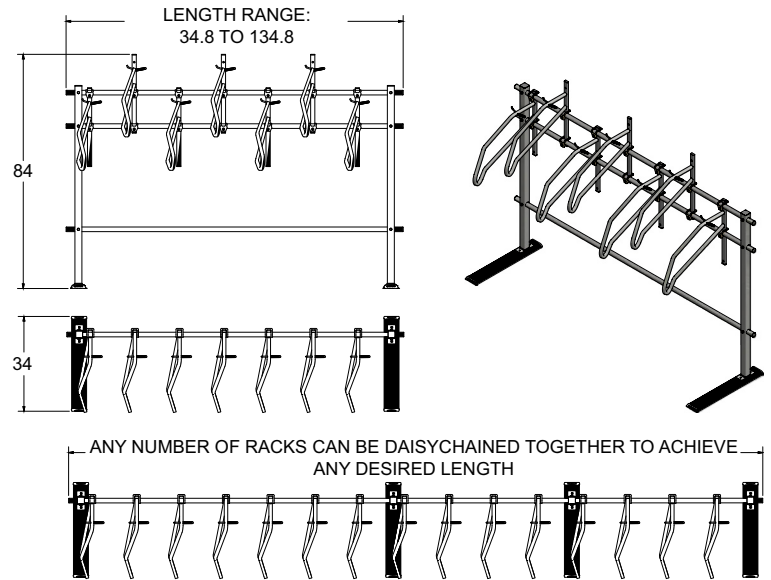
Product Options:

- | | |
|---|--|
| <input type="checkbox"/> Include No Scratch® Bumper | <input type="checkbox"/> Include Locking Cable |
| <input type="checkbox"/> Exclude No Scratch® Bumper | <input type="checkbox"/> Exclude Locking Cable |

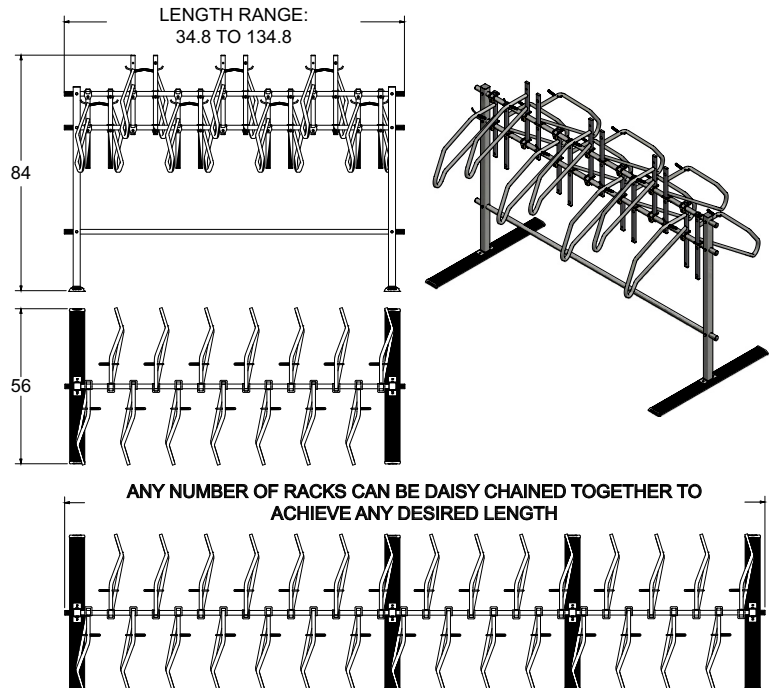
For complete dimensions please see the technical drawing located on our website:

<https://www.sportworks.com/product/vertical-floor-mount>

Single Sided Dimensions



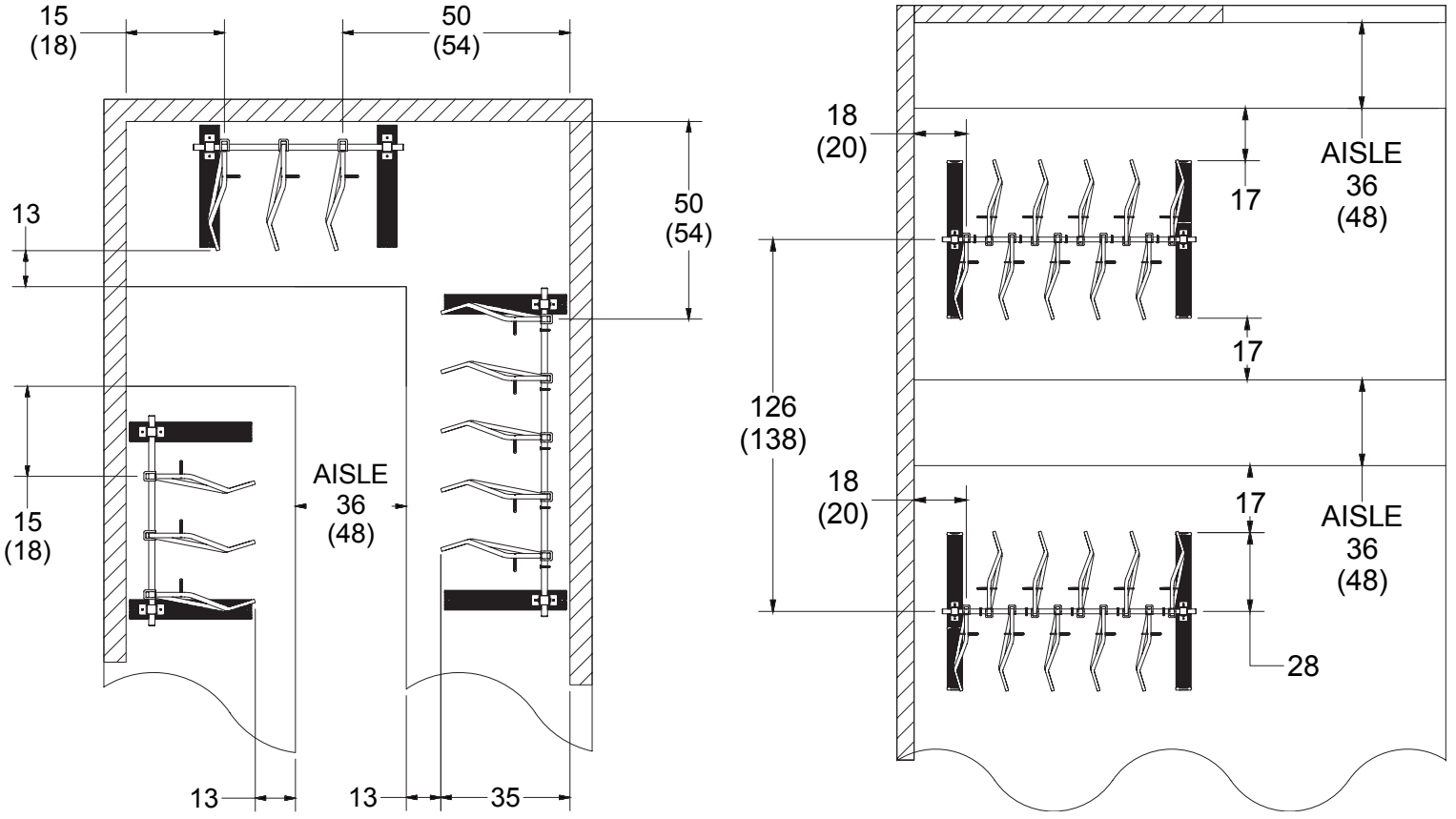
Double Sided Dimensions



Spacing and Setbacks

*Many local governments will specify minimum spacing and setback requirements

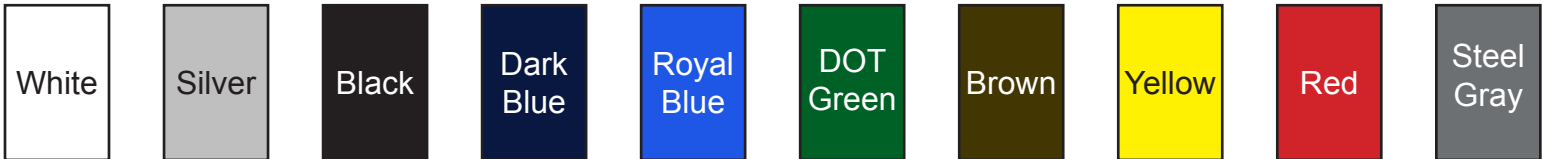
**All dimensional drawings are in inches. Minimum dimensions are placed above the recommended dimensions. Recommended dimensions are in ().



Minimum Required Ceiling Height: 84"

Powder Coat Color Options:

Custom colors are available to coat the support loops and rack towers. Colors will not be applied to the cross-members and mounting rails.



Contractor: _____

Job: _____

Notes: _____

Contact Information:

888-661-0555
sales@sportworks.com
www.sportworks.com

15540 Woodinville Redmond Rd
 NE, Bldg A-200,
 Woodinville, WA 98072

