

# Vertical+ Wall Mount Bicycle Rack

**Capacity:** Dependent on project needs

**Warranty:** 1 Year

- » Optional No Scratch® bumper and cushioned hook prevent bicycle damage
- » Modular design for rapid assembly
- » U-lock compatible, square tubing, and hidden fasteners for maximum security

## Product Specifications

### Materials:

- » Mild Steel
  - » Bicycle Support Loops: 1.0" x 1.0" x .060" Square Tubing
  - » Towers: 2.5" x 2.5" x .125" Square Tubing
  - » Cross-Members: 1.25" Schedule 40 pipe
- » Optional Polyurethane No Scratch® Bumper
- » Optional integrated locking cable

### Standard Finish:

- » Bicycle Rack Support Loops: Powder Coated
- » Towers: Powder Coated
- » Cross-Members: Galvanized

### Standard Mounting:

- » Wall Mount

### Hardware

- Concrete Wedge Anchors (standard)
  - + Tamper Resistant Nuts (recommended)
- E-Z lock inserts for 3/4" thick plywood

### Bicycle Spacing Options:

- 13"
- 16"
- 17"
- 18"

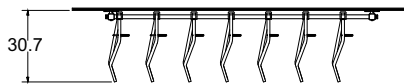
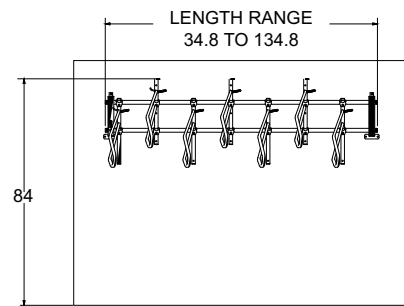
### Product Options:

- Include No Scratch® Bumper
- Exclude No Scratch® Bumper
- Include Locking Cable
- Exclude Locking Cable

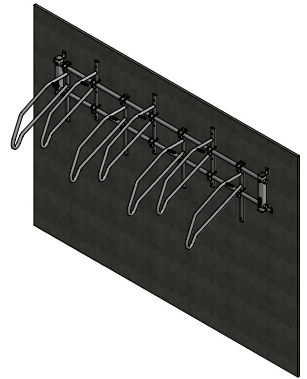
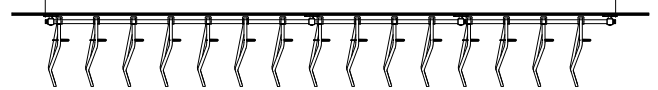
For complete dimensions please see the technical drawing located on our website:

<https://www.sportworks.com/product/vertical-wall-mount>

## Dimensions



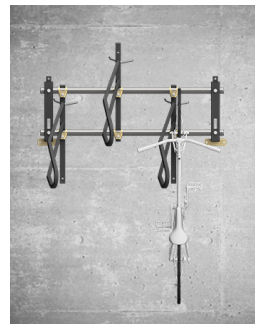
ANY NUMBER OF RACKS CAN BE DAISYCHAINED TOGETHER TO ACHIEVE ANY DESIRED LENGTH



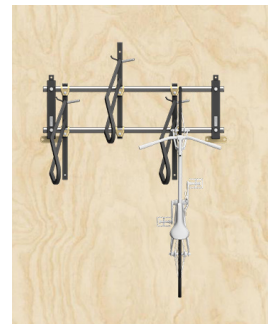
## Common Mounting Surfaces



Concrete Block



Poured Concrete



Plywood Over Drywall

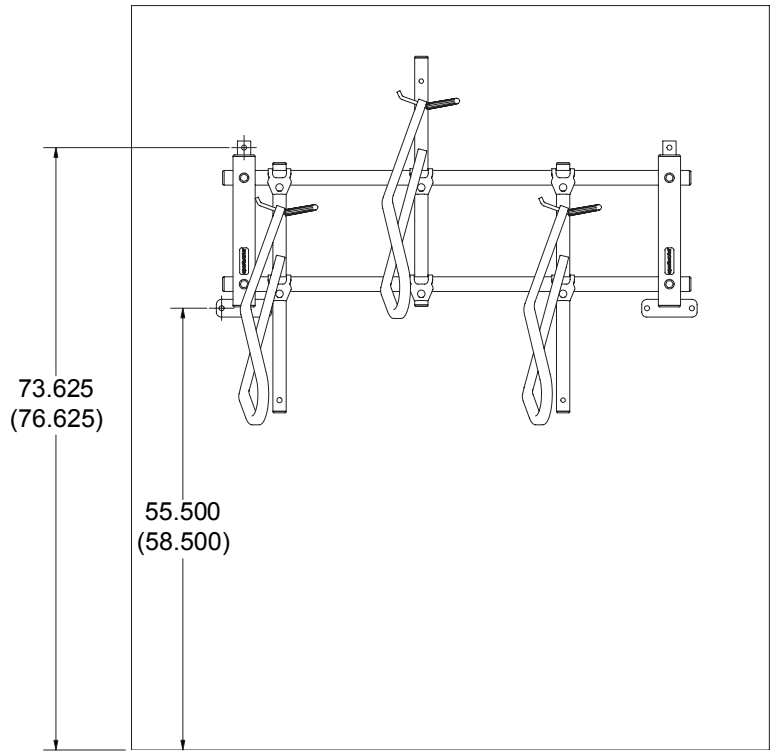
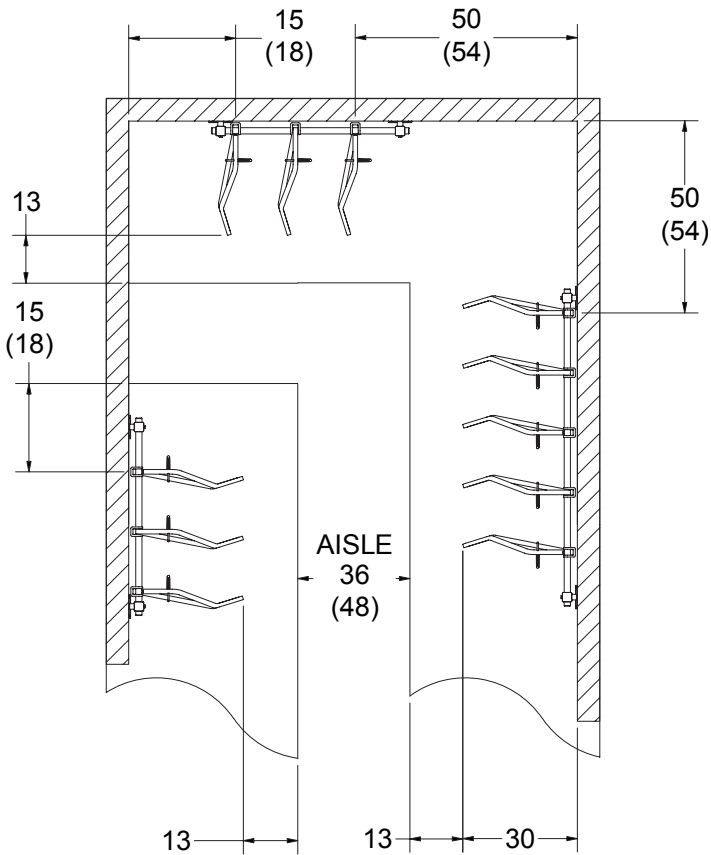
Mounting hardware varies by wall type. Our sales team can assist you in selecting the right hardware for your installation. You can also visit our resources section on our website for installation instructions including guidelines for plywood sizing and placement:

<https://www.sportworks.com/howto>

## Spacing and Setbacks

\*Many local governments will specify minimum spacing and setback requirements

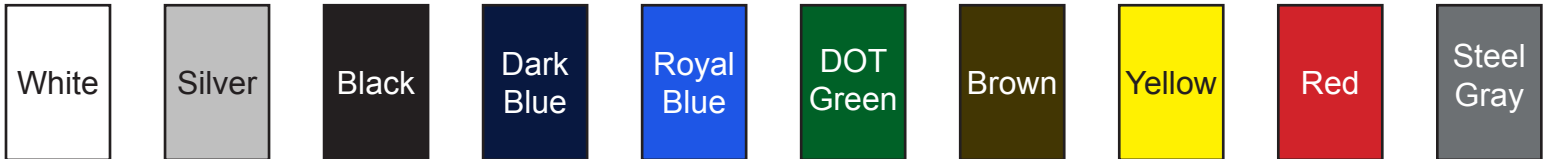
\*\*All dimensional drawings are in inches. Minimum dimensions are placed above the recommended dimensions. Recommended dimensions are in ().



Minimum Required Ceiling Height: 84"

## Powder Coat Color Options:

Custom colors are available to coat the support loops and rack Uprights. Colors will not be applied to the cross-members.



**Contractor:** \_\_\_\_\_

**Job:** \_\_\_\_\_

**Notes:** \_\_\_\_\_

### Contact Information:

888-661-0555  
[sales@sportworks.com](mailto:sales@sportworks.com)  
[www.sportworks.com](http://www.sportworks.com)

15540 Woodinville Redmond Rd  
 NE, Bldg A-200,  
 Woodinville, WA 98072

