

Technical Specifications

Apex 1™ 1-Position Bicycle Rack



Features and Benefits

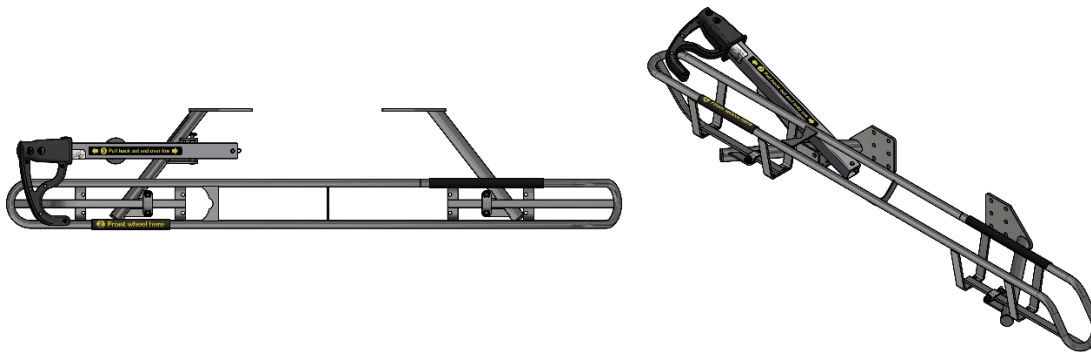
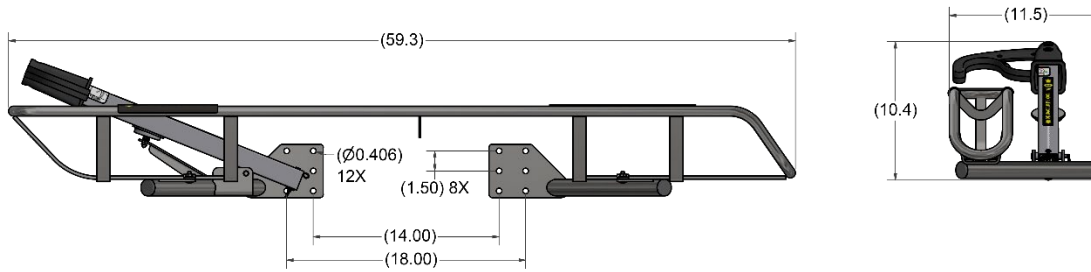
- Apex 1 accommodates a wider range of bicycles with either a standard or (optional) fat-tire tray.
- Modular construction provides full flexibility for multiple configurations, easy field upgrades, and cost-effective part replacement.
- Rugged stainless-steel construction provides maximum corrosion resistance with an anti-glare finish for long-lasting performance in harsh transit applications.
- Compact and easy-to-use design – no stowing required.
- Wheel tray and support arm is designed for easy securement while reducing bounce and lateral movement.
- Supports safe vehicle operation with a smaller footprint for better vehicle turn radius, headlight, and turn signal visibility.
- Compatible with existing Sportworks mounting brackets.
- A variety of options to customize and enhance operation:
 - Custom colors (special order)
 - Standard wheel tray to support bikes with tires up to 3.2" wide; or optional fat tire tray to support bikes with tires up to 5.5" wide
 - Bilingual decals

Specifications

General	
Bicycle Capacity	One (1)
Material	Stainless steel, w/ anti-glare finish or powder coat (custom order option)
Bracket	Direct mount (no pivot plate)
Trays	Supports a standard or fat tire tray
Weight, Dimensions, and Load	
Rack (LxWxD)*	10.4" x 59.3" x 11.5" (Standard)
	10.7" x 65.8" x 13.4" (Fat tire trays and support arms)
Product Weight	23 lbs. (Standard)
	24 lbs. (Fat tire tray and support arm)
Bicycle Compatibility	
Max. Wheelbase	48" (Standard); 51" (Fat tire trays)
Max. Tire Width	3.2" (Standard)
	5.5" (Fat tire tray and support arm)
Wheel Size	16" to 29" (inc. 700c) (Standard)
	24" to 29" (inc. 700c) (Fat tire tray and support arm)
Max. Bike Weight	75 lbs.
Part Numbers	
Rack	101451 (Standard)
	101451-FAT (Fat tire tray and support arm)

Technical Specifications

Drawings and Dimensions, Apex 1™: Part Number 101451 (Standard)



Drawings and Dimensions, Apex 1™: Part Number 101451-FAT (Fat tire tray and support arm)

