

# Apex Ten Second Brackets



OVERVIEW .....	2
Installation .....	2
Pivot Hardware Installation.....	3
Maintenance.....	3
MODEL DIFFERENCES.....	3
Bumper Type.....	3
Apex 2 vs Apex 3 .....	3
Options.....	4
DOCUMENT REVISION HISTORY .....	5

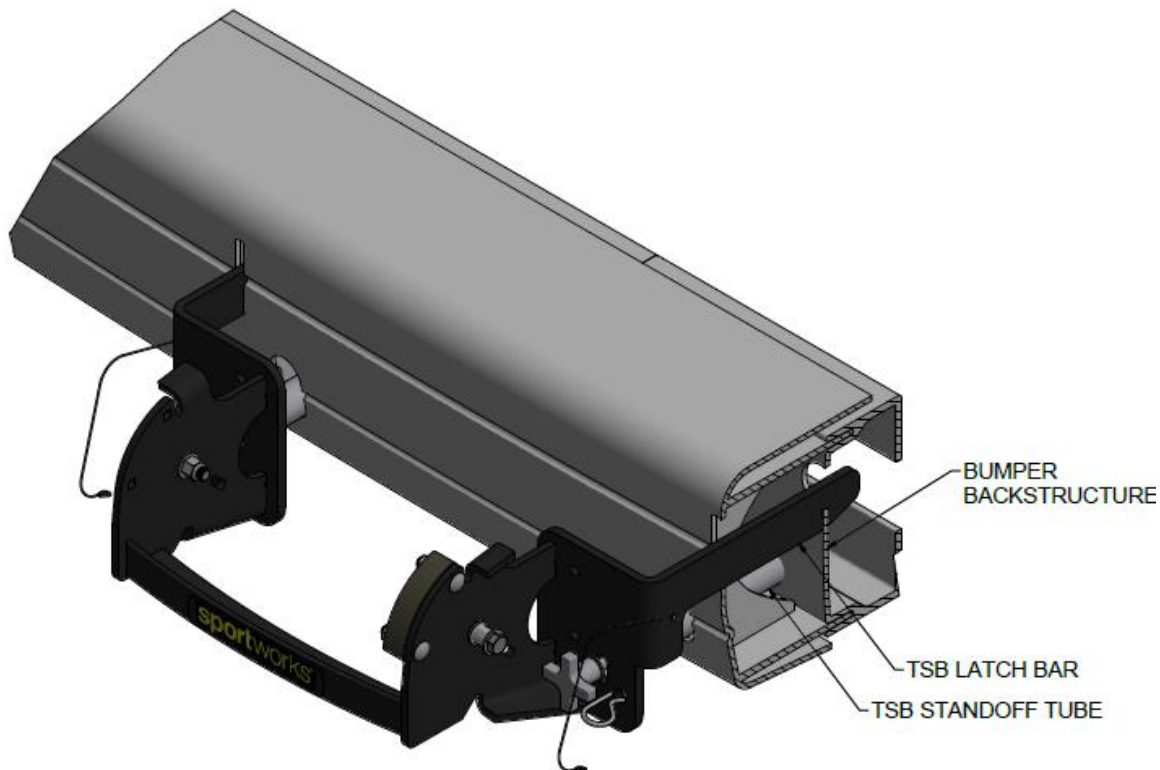
## OVERVIEW

The Ten Second Bracket (TSB) was developed to fit Romeo Rim HELP Bumpers. To select the correct Ten Second Bracket for your Coach you must first determine which type of Romeo Rim HELP Bumper will be installed onto your coach. For new builds the Ten Second Bracket compatible Romeo Rim Bumper must be specified. Field installation of the Ten Second Bracket is possible with the use of the 100801 Slide-In Installation Tool or the 100802 Swept Installation Tool.

The Ten Second Bracket, like all other Sportworks Pivot Plates, has the primary function of mounting the Bike Rack to the front of the coach. However, the Ten Second Bracket is easily and quickly removed from the coach bumper without the need for tools. This mounting includes the ability to stow and deploy the bike rack. The latching in the stowed and deployed position is the same as other pivot plates.

## Installation

1. Insert TSB Latch Bars into Bumper Slots with the front of the TSB rotated up about five degrees. Engage the slots with the pre-machined windows in the bumper back structure and slide downward.
2. Rotate the front of the TSB down until standoff tubes contact the bumper back structure, engage and hand tighten Star Bolts. Insert Hair Pins to secure Star Bolts. See figure below.



## Pivot Hardware Installation

For Apex TSBs and bike racks, the pivot hardware is included with the pivot plate as opposed to with the bike rack. Please see the diagram below as an example of correct pivot bolt stack installation.

## Maintenance

Sportworks recommends the following quick visual inspection to ensure an operable bike rack. Examine the items below before operating your coach. If the assembly does not function properly, service it before putting it into operation.

- 1) \_\_\_\_\_√ TEN SECOND BRACKET IS MOUNTED SECURELY  
Verify that Star Bolts are snug and hairpin clips are in place
- 2) \_\_\_\_\_√ DEPLOY AND STOW STOPS FUNCTION  
Replace work or broken parts as needed
- 3) \_\_\_\_\_√ BIKE RACK PIVOT BOLTS

## MODEL DIFFERENCES

### Bumper Type

Specific Ten Second Brackets are available to fit the different Romeo Rim bumpers. Contact Sportworks Sales and Support for information on the TSB that will fit your bumper.

### Apex 2 vs Apex 3

Ten Second Brackets intended for use with the Apex 2 bike rack differ slightly from those intended for use with the Apex 3 bike rack. The pivot bolt stack on Apex 3 TSBs includes a torsion spring and additional lift-assist hardware for reducing the force necessary to stow the Apex 3 bike rack. The Apex 2 pivot bolt stack does not include the torsion spring and uses a shorter set of hardware. Kits



are available for subtracting or adding the torsion spring hardware if needed for your use (these kits switch the TSB from Apex 2 configuration to Apex 3 configuration and vice versa). See the Parts List for a list of part numbers available for installing your rack.

## Options

The Ten Second Bracket also includes options for the Deployment Kit/Bike Counter Kit and the Quick Release Pivot Bolt Kit.

# DOCUMENT REVISION HISTORY

12/29/2020 – Initial release