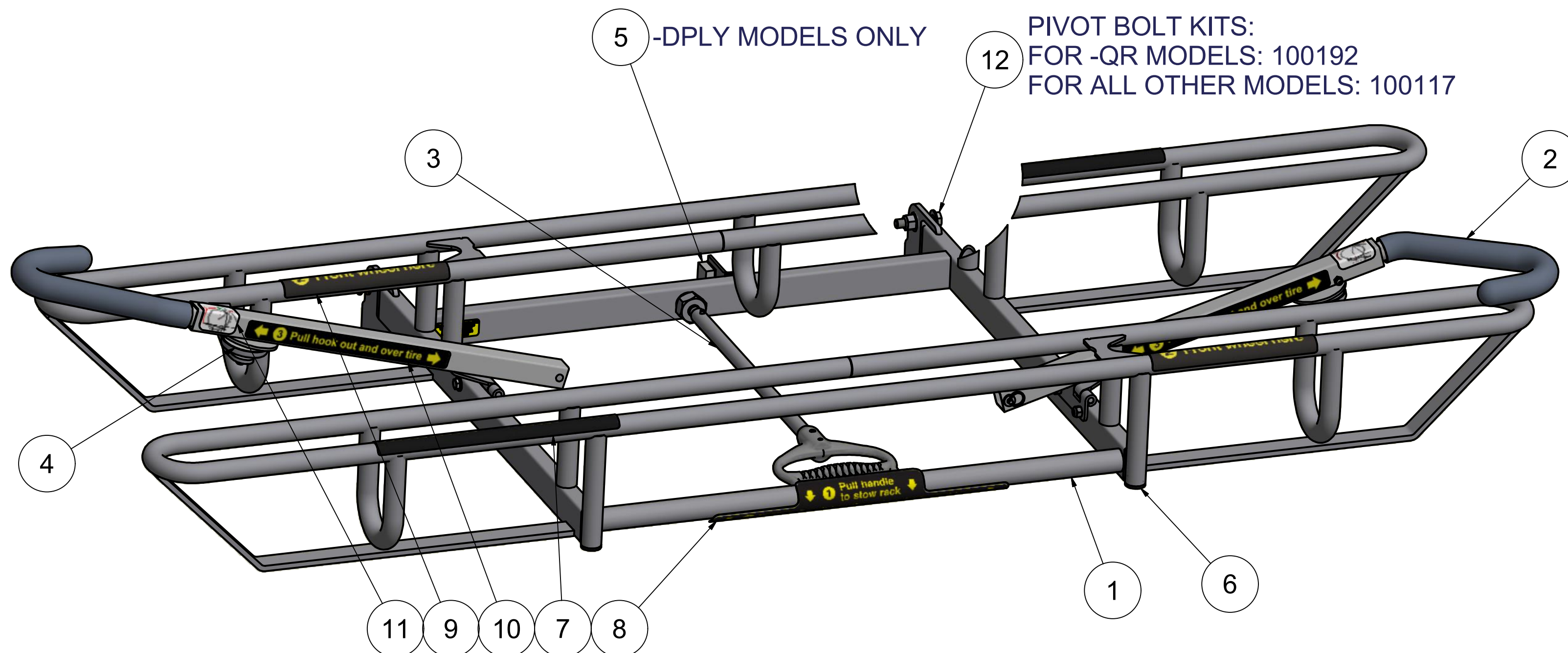


PARTS LIST

THIS PARTS LIST APPLIES TO THE FOLLOWING MODELS:

- 100536
- 100536-DPLY
- 100536-DPLY-QR
- 100536-DPLY-SPAN
- 100536-FRNCH
- 100536-FRNCH-DPLY
- 100536-FRNCH-QR
- 100536-QR
- 100536-SPAN
- 100536-SPAN-DPLY-QR
- 100536-SPAN-QR

| ITEM | QTY | PART NO | TITLE |
|------|-----|-----------|---|
| 1 | 1 | 100544 | SPARES - S/S DL2 w/ 4 loop supports, Body Only - Anti Glare Finish |
| 2 | 2 | 100588 | SPARES - Support Arm Assembly DL2, DL3 Middle Pos., SS Anti Glare |
| 3 | 1 | 101122 | SPARES - DL2 Latch Handle, Molded Handle |
| 4 | 2 | 100116 | SPARES - Support Arm Magnet |
| 5 | 1 | 100501 | SPARES - Deployment Bike Rack Kit (for rack ONLY) |
| 6 | 1 | 100170 | SPARES - Qty 2, Flat End Plug, Black, 7/8 in tube |
| 7 | 2 | SEE BELOW | LABEL, RACK CHAIN GUARD |
| 8 | 1 | SEE BELOW | LABEL, # 1, Pull Handle to Stow Rack/ Push In & Pull Handle Up to Release and Lower |
| 9 | 2 | SEE BELOW | LABEL No. 2, Front Wheel Here (English only) |
| 10 | 2 | SEE BELOW | LABEL No. 3, PULL HOOK UP |
| 11 | 2 | SEE BELOW | LABEL, MMT Support Arm Placement |
| 12 | 1 | SEE BELOW | SPARES - PIVOT BOLT KIT |



5 -DPLY MODELS ONLY

12 PIVOT BOLT KITS:
FOR -QR MODELS: 100192
FOR ALL OTHER MODELS: 100117

11 9 10 7 8
LABEL SPARES KITS:
ENGLISH ONLY: 100279
ENGLISH/SPANISH: 100426
ENGLISH/FRENCH: 100764

UNLESS OTHERWISE SPECIFIED
ASME Y14.5M - 1994 APPLIES.
ALL DIMENSIONS IN INCHES.
DECIMALS: .XX ±0.060 .XXX ±0.030
ANGULAR: X ±1.0° X.X ±0.50°
MCH FINISH: 125RMS
BREAK ALL EDGES: .010 - .025
FILLET & CHAMFER: .030 MAX

Sportworks Northwest, Inc.
15540 Woodinville-Redmond Rd. NE, Bldg A-200
Woodinville, WA 98072, PH: 425-483-7000, FX: 425-488-9001
PROPRIETARY THIS IS PROPRIETARY INFORMATION AND IS NOT TO BE REFERENCED OR DISTRIBUTED WITHOUT PRIOR WRITTEN AUTHORIZATION OF SPORTWORKS NORTHWEST, INC.

| | | |
|---------|--------------------------|--------------------|
| TITLE | | S/S DL2 PARTS LIST |
| DWG NO. | 100536-FAMILY PARTS LIST | REV A |
| SIZE C | NO DRAWING SCALE | SHEET 1 OF 1 |