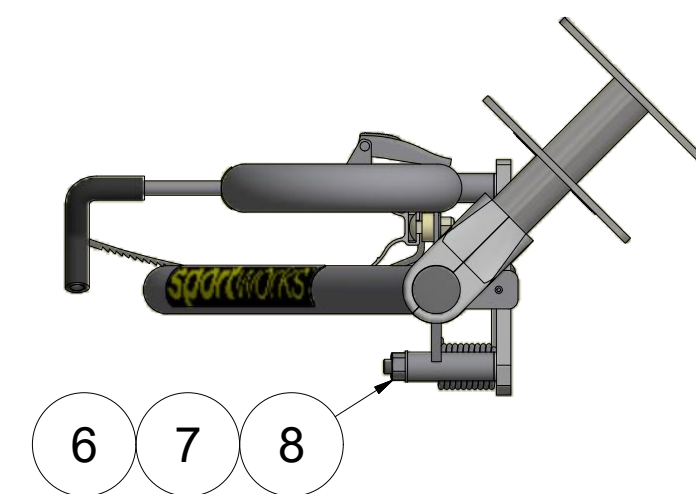
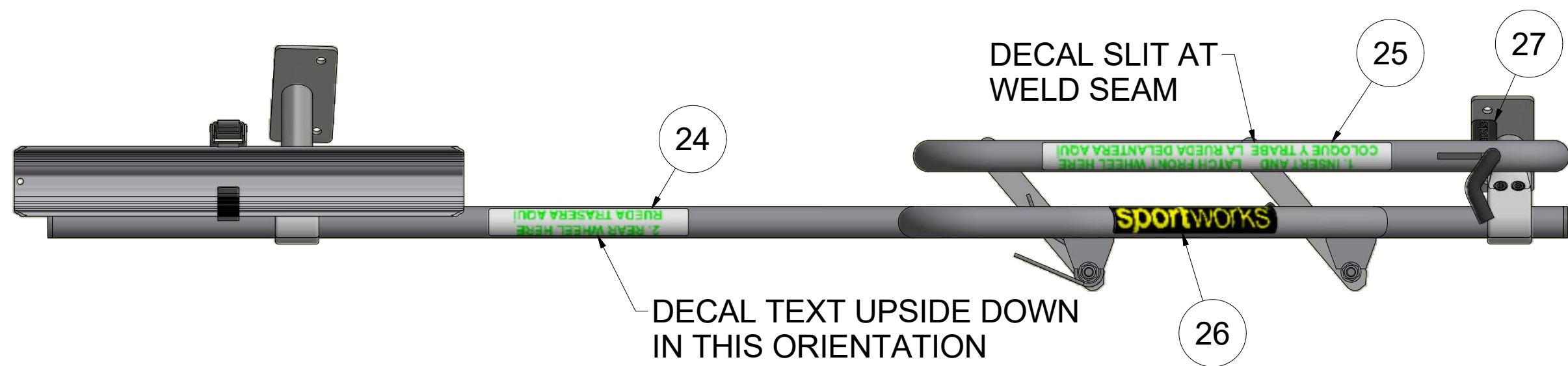


PARTS LIST - 4-DIGIT P/NS ARE NOT SET UP FOR SALE. CONTACT SPORTWORKS FOR REPLACEMENT P/NS

ITEM	QTY	PART NO	TITLE
1	1	6423-PEN	Static Frame; Interior Rack, LH Modular, Bead Blasted
2	1	9291-PEN	Interlock Rack Scissor, LH, Beadblast
3	1	9697-SIL	Interlock Rear Wheel Tray, Silver
4	1	6657	Interlock Modular Bracket, Upper, NF Utah
5	1	6658	Interlock Modular Bracket, Lower, NF Utah
6	4	9306	WASHER, FLAT, .375 ID x .75 OD x .062 thk, UHMW 332
7	4	7013	WASHER, FLAT, 3/8, SAE, Stainless, Import
8	4	3430	NUT, HEX, 3/8-16, Toplock 3-way, .5625w x .328h, 18-8 Stainless, Import
9	1	9321	BHCS, 10-32 x .375, Stainless
10	1	7159	WASHER, FLAT, #10, SAE, Stainless, Import
11	1	3237	STRAP, 3/16, .03125 thk, Brass, one hole
12	1	5302	Cushioned Slide-on Grip Round Smooth Surface, Fits 5/16"-3/8" OD, 4" L
13	2	7452	BUMPER, RUBBER, 1 dia. w/ washer, EPDM, 70 durometer, Domestic
14	1	3236	SPRING, TORSION, Interlock, LH and non-stowing
15	2	3240	BHCS, 10-32 x .5, 18-8 Stainless
16	2	3442	Interior Rack Pinch Arm Subassembly
17	2	7884	NUT, HEX, 5/16-18, NYLOCK, Stainless, Import
18	2	8532	BOLT, CARRIAGE, 5/16-18 x 1, Stainless, Import
19	2	7819	WASHER, FLAT, 5/16, SAE, Stainless, Import
20	2	5523	SPACER, Stand Off, Nylon, Unthreaded, .75" OD, .375" ID, .375" Length, Natural
21	1	8272	Wheel Strap, W/11" of Ratcheting Teeth, for Wheel Tray, Fits 3.0 Tire, Black
22	2	8046	PLUG, Tube End, ROUND, 1.25 OD, Plastic, Black, for 14-20 gage wall thickness
23	1	6659	BOLT KIT, Interlock, Brackets, NF Utah
24	1	6441	LABEL, #2, Spanish, English, Interlock Non Stowing
25	1	6440	LABEL, #1, Spanish/English, Interlock Non Stowing, "Hook and Insert Front Wheel", Clear/Green
26	1	9802	SportWorks label; multi-modal; 4.5x1.7
27	1	4554	LABEL, Sportworks Bike Parking Badge
28	2	3319	CABLE TIE, Nylon Double Lock, .170 x 14, White
29	1	4226	BOX, FOL, 15 x 8 x 72, 44C Reverse Corrugated, Kraft



2 APPROXIMATE WEIGHT = 22 LB
 1 STAINLESS STEEL CONSTRUCTION, BEAD BLAST FINISH

Sportworks Northwest, Inc. 15540 Woodinville-Redmond Rd. NE, Bldg A-200 Woodinville, WA 98072, PH: 425-483-7000, FX: 425-488-9001		TITLE Non Stowing Interlock Bike Rack, LH, Utah, Modular Brackets	
PROPRIETARY: THIS IS PROPRIETARY INFORMATION AND IS NOT TO BE REFERENCED OR DISTRIBUTED WITHOUT PRIOR WRITTEN AUTHORIZATION OF SPORTWORKS NORTHWEST, INC.		DWG NO. 101243 SALES	
SIZE C2B NO DRAWING SCALE		SHEET 1 OF 1	

REV	DESCRIPTION	DATE	BY	CHK
B	REMOVED 8892 AND 3298	4/06/2017	JMS	JMS
A	INITIAL LAYOUT	2/10/2016	JMS	JMS