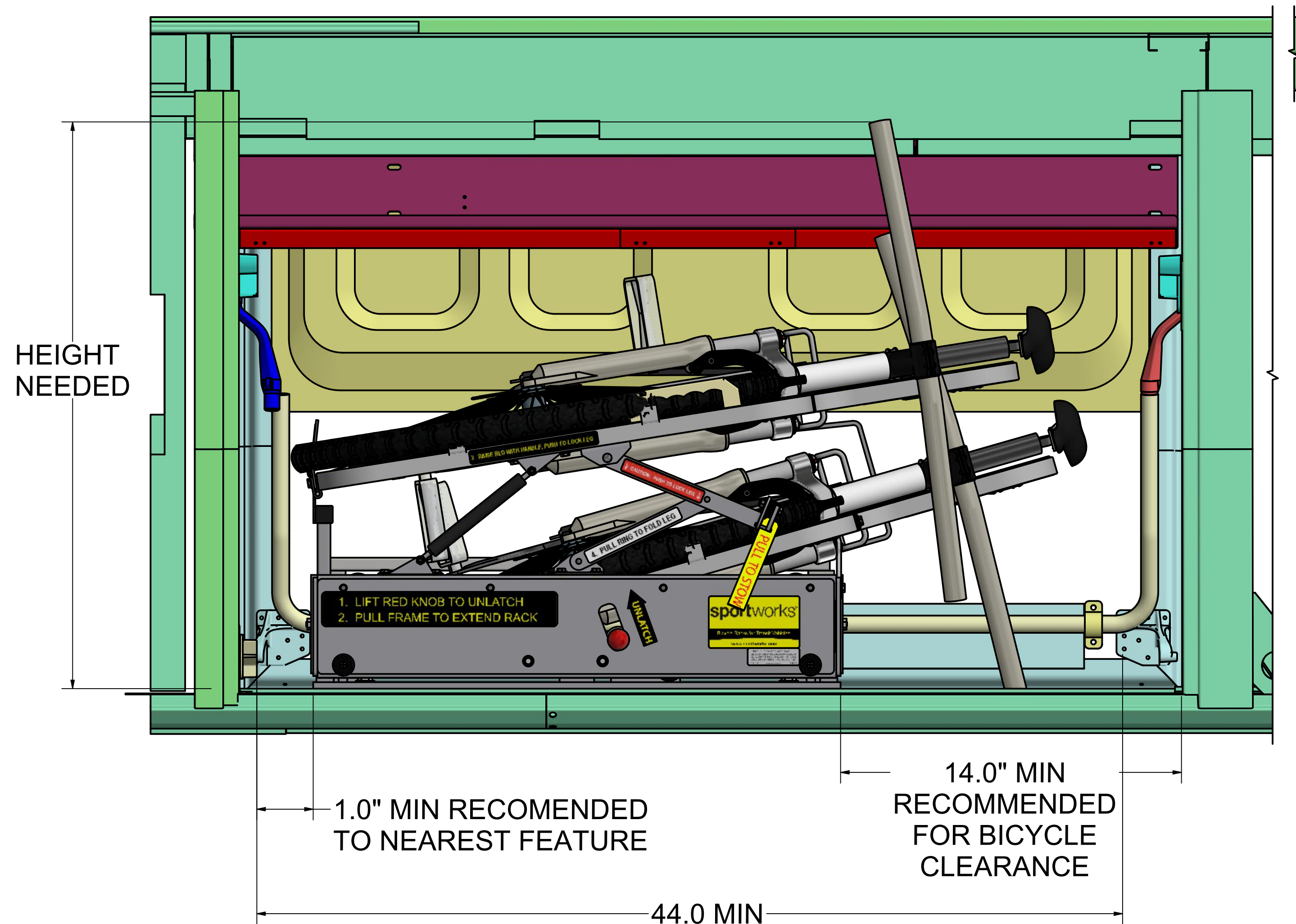


# LUGGAGE BAY RACK, STANDARD BICYCLE FIT

LUGGAGE BAY DIMENSIONS, STANDARD BICYCLE	
UPPER BIKE HANDLEBAR WIDTH (IN)	MIN HEIGHT (IN)
26	32
27	32.5
28	33
29	33.5
30	34



**NOTES**

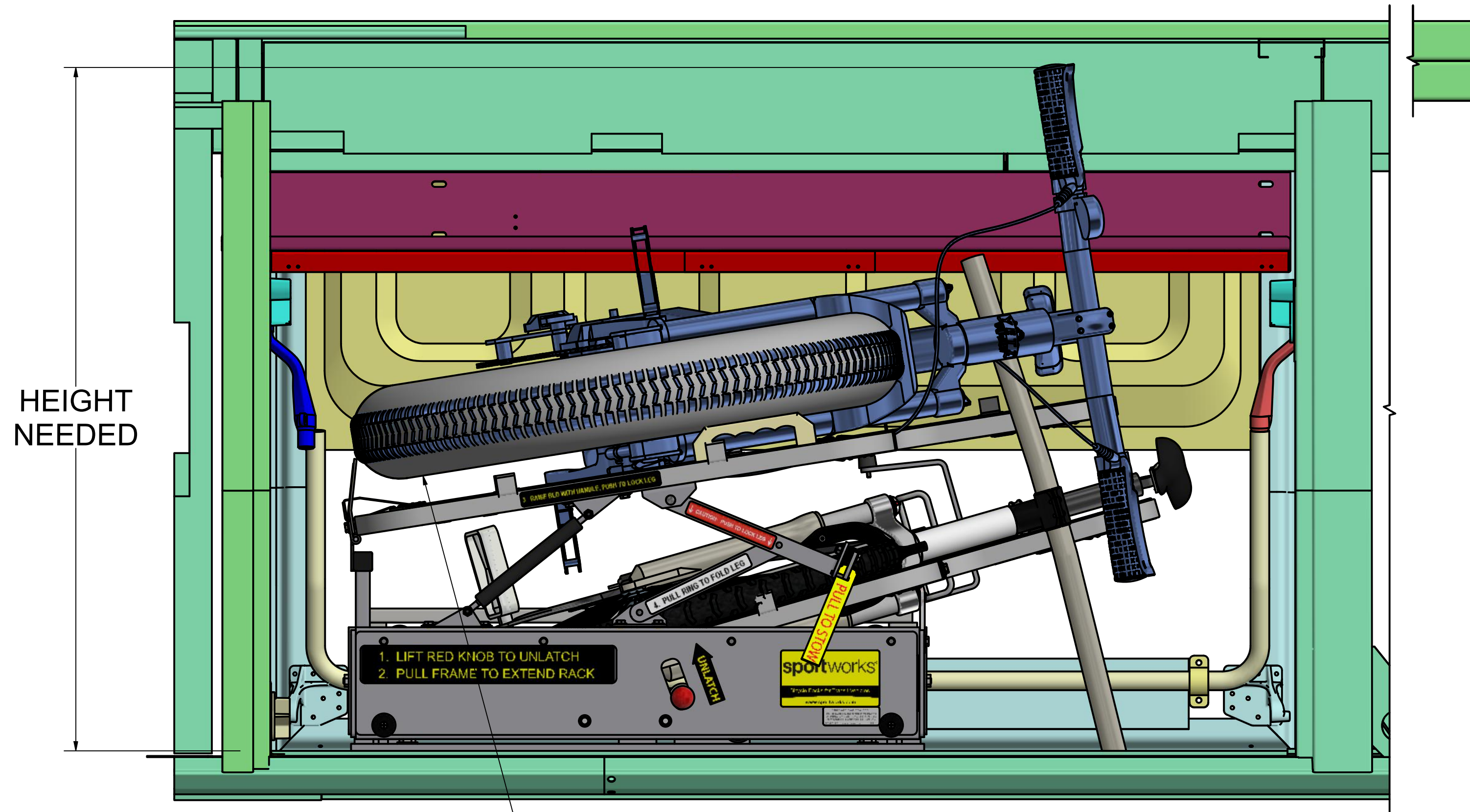
1 CENTER CURB SIDE TO STREET SIDE TO MAINTAIN LUGGAGE DOOR CLEARANCE.

<b>Sportworks Northwest, Inc.</b> 15540 Woodinville-Redmond Rd. NE, Bldg A-200 Woodinville, WA 98072, PH: 425-483-7000, FX: 425-488-9001		TITLE 100960 IN LUGGAGE BAY
<small>PROPRIETARY: THIS IS PROPRIETARY INFORMATION AND IS NOT TO BE REFERENCED OR DISTRIBUTED WITHOUT PRIOR WRITTEN AUTHORIZATION OF SPORTWORKS NORTHWEST, INC.</small>		DWG NO. <b>100960 IN LUGGAGE BAY</b>   REV <b>A</b>
SIZE C2B   NO DRAWING SCALE		SHEET 1 OF 2

A	INITIAL LAYOUT	5/19/2011	JMS	JMS
REV	DESCRIPTION	DATE	BY	CHK

# LUGGAGE BAY RACK, FAT BICYCLE FIT

LUGGAGE BAY DIMENSIONS, STANDARD BICYCLE	
UPPER BIKE HANDLEBAR WIDTH (IN)	MIN HEIGHT (IN)
28	36.5
29	37
30	37.5
31	38
32	38.5



FAT BIKE WILL ONLY FIT IN UPPER BED

**Sportworks Northwest, Inc.**

15540 Woodinville-Redmond Rd. NE, Bldg A-200  
Woodinville, WA 98072, PH: 425-483-7000, FX: 425-488-9001

PROPRIETARY: THIS IS PROPRIETARY INFORMATION AND IS NOT TO BE REFERENCED OR DISTRIBUTED WITHOUT PRIOR WRITTEN AUTHORIZATION OF SPORTWORKS NORTHWEST, INC.

TITLE

100960 IN LUGGAGE BAY

DWG NO.

100960 IN LUGGAGE BAY

REV

A

SIZE C2B | NO DRAWING SCALE | SHEET 2 OF 2