



Bicycle Maintenance Accessories



Deluxe Public Work Stand

- » Includes 10 frequently used tools Designed for both indoor and outdoor use
- » Tools securely attach by retractable braided stainless steel cables
- » Impact and UV resistant front plate for durability
- » ADA compliant design
- » 1 year warranty

Materials:

- » Main Body
 - » .25" and 11 gauge steel
- » Top bicycle hanger
 - » 2" DOM Tubing
 - » .24" steel plate
 - » Polyethylene sleeve
- » Tool Tethers:
 - » 3/16" stainless steel cable
- » Optional Integrated air hose
 - » High pressure rubber exterior hose with triple braided steel wire core
- » Optional Integrated Wheel Chock
 - » Available in mild or stainless steel

Finishes:

- » Powder Coat Finish
 - Black RAL9017
 - Red T009-RD03

Options:

- Integrated Outdoor Public Bike Pump
 - Mild Steel Powder Coat
 - Black RAL9017
 - Red T009-RD03
 - Stainless Steel
- Integrated Wheel Chock



Public Work Stand

- » Includes 10 frequently used tools
- » Designed for both indoor and outdoor use
- » Tool assemblies are spaced to prevent tangling
- » Secure tool fastening system
- » ADA compliant design
- » 1 year warranty

Materials:

- » Main body and bike hanger:
 - » 2" DOM tubing
 - » .25" steel plate
 - » Polyethylene sleeve
- » Tool Tethers:
 - » 3/16" stainless steel cable

Finishes:

- » Powder Coat Finish
 - Black RAL9017
 - Red T009-RD03



Outdoor Public Bike Pump With Gauge

- » Designed for both indoor and outdoor use
- » Outdoor-rated stainless steel construction, completely sealed
- » Proprietary long-life piston seal and solid pump rod
- » Steel braided air hose core prevents cutting
- » Includes pressure gauge
- » 1 year warranty

Materials:

- » Main Body
 - » .25" and .125" 304 stainless steel
- » Pump shaft
 - » 3/4" 304 stainless steel
- » Pressure gauge cover
 - » 1/4" polycarbonate
- » Integrated air hose
 - » High pressure rubber exterior hose with triple braided steel wire core

Finishes:

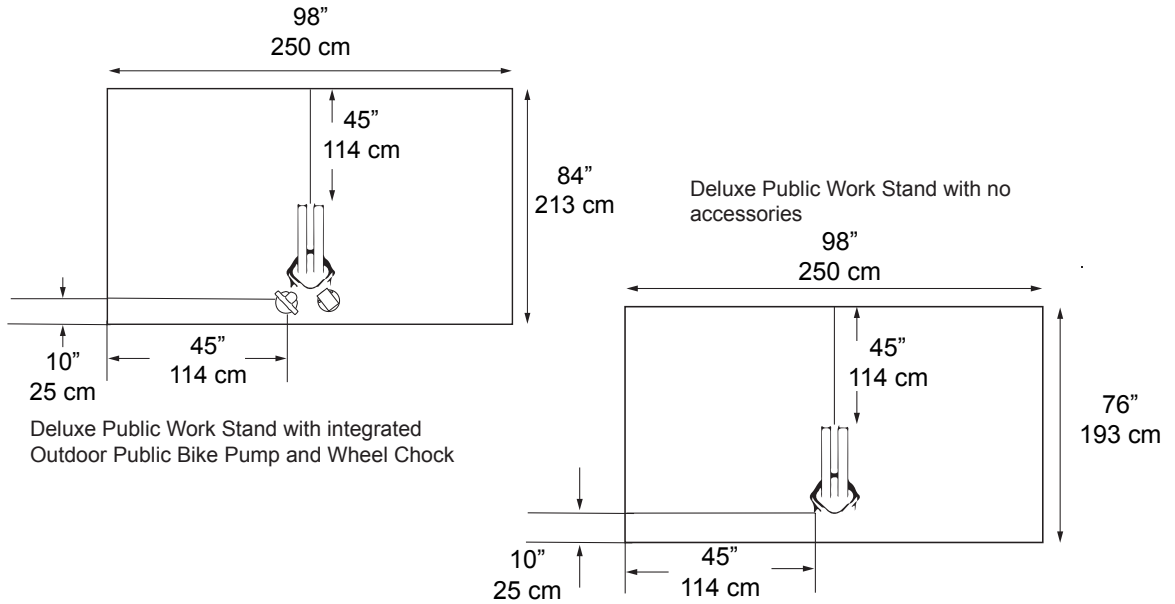
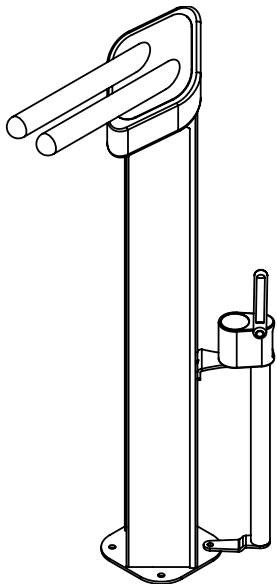
- » Stainless Steel

Options:

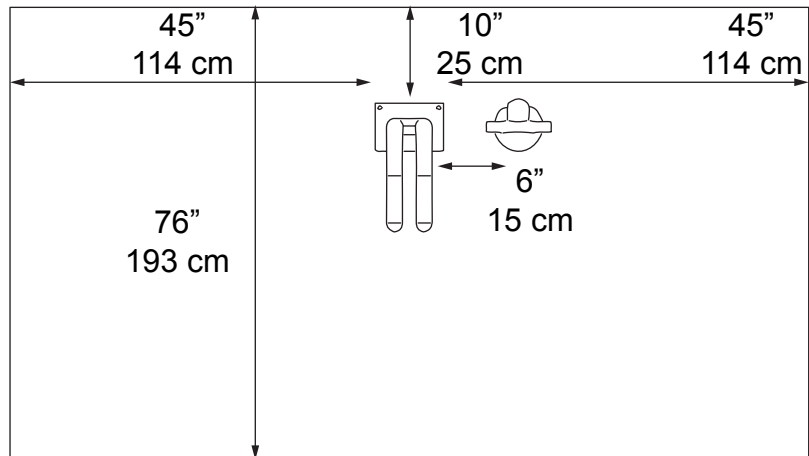
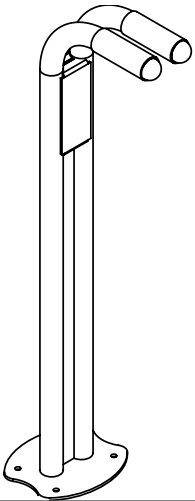
- Floor Mount
- Deluxe Public Work Stand Mount

Deluxe Public Work Stand

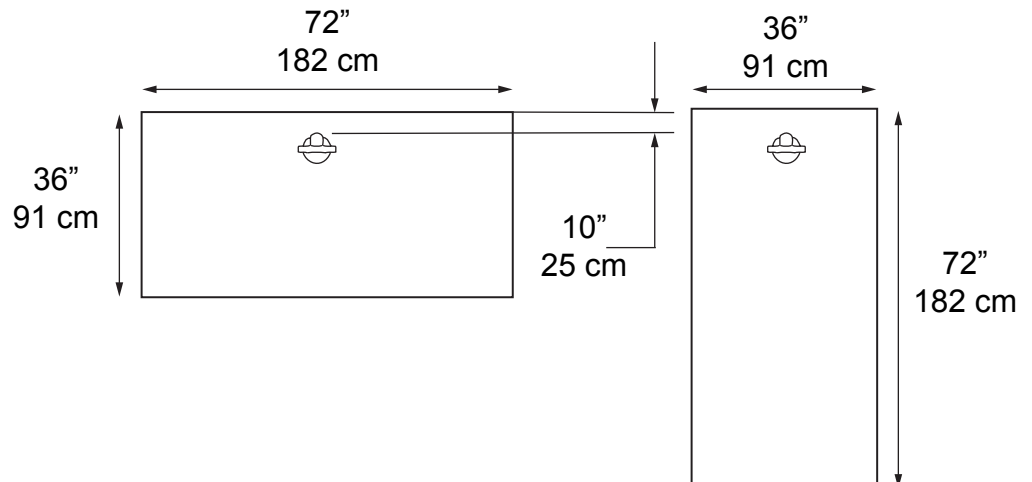
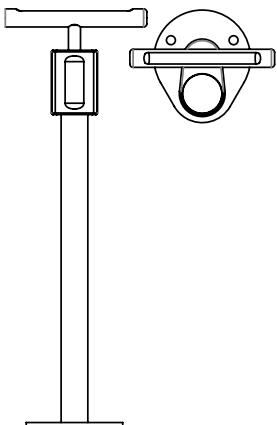
Recommended Setback for all products:
 » 60" from adjoining street or cycle path



Public Work Stand



Outdoor Public Bike Pump With Gauge



Contact Information:

888-661-0555
sales@sportworks.com
www.sportworks.com

15540 Woodinville Redmond Rd
 NE, Bldg A-200,
 Woodinville, WA 98072

Contractor:

Job:

Notes: