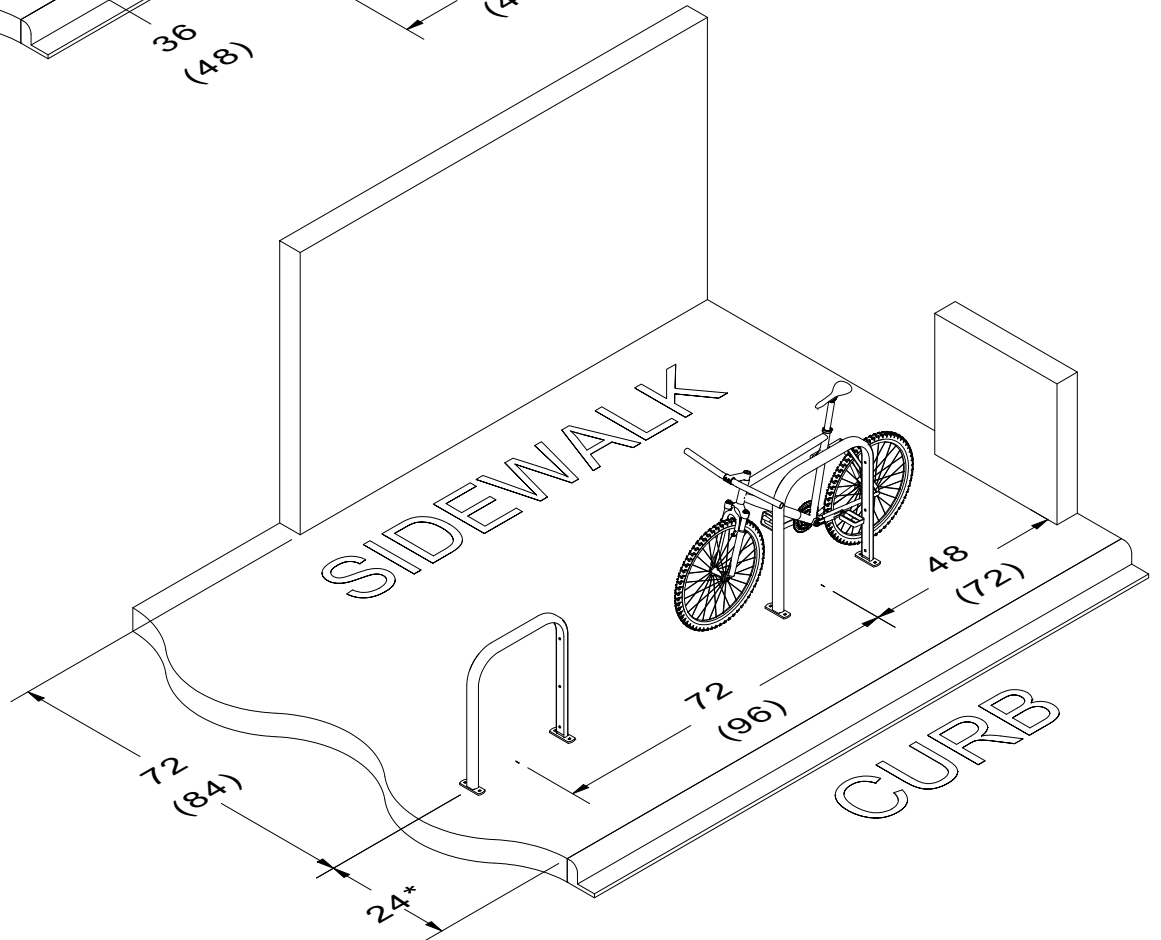
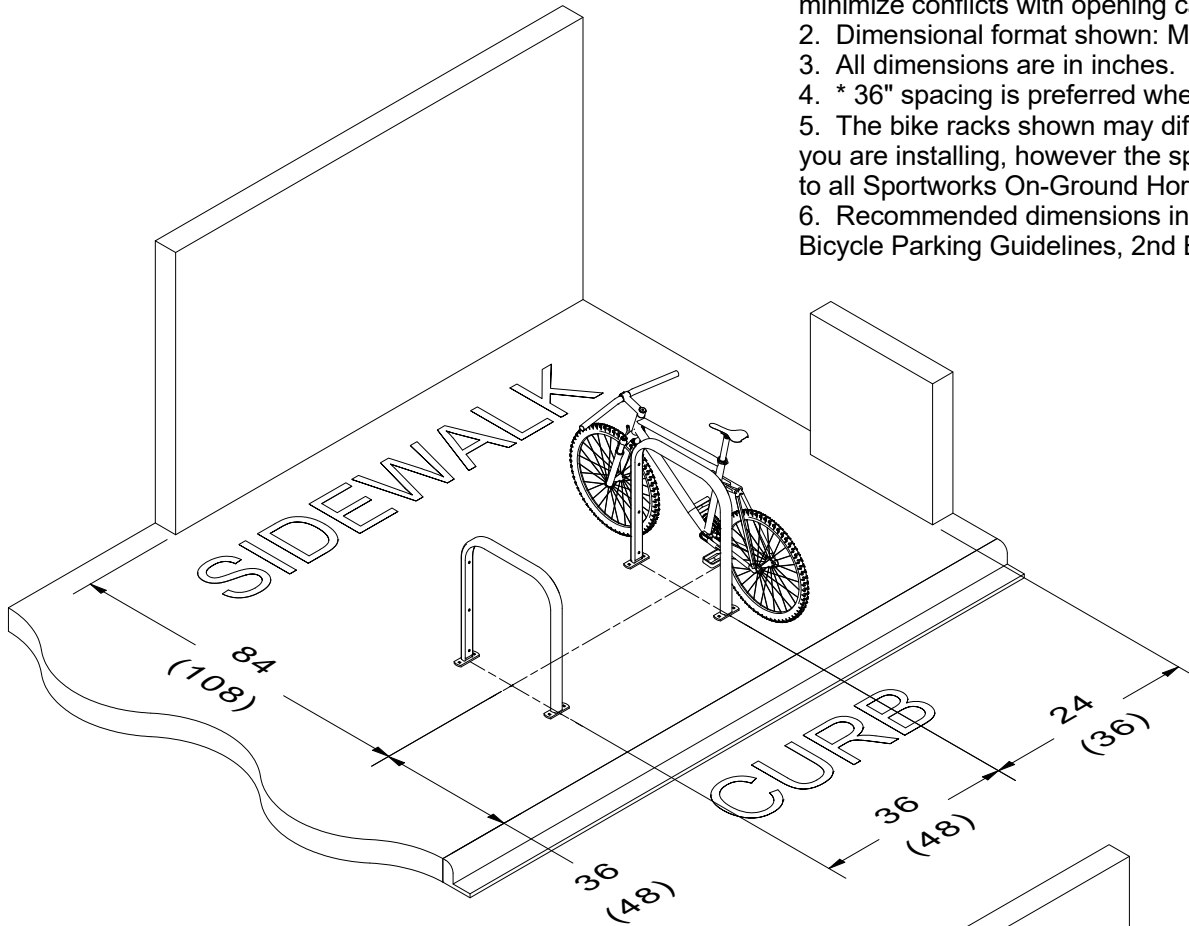


**NOTES:**

1. Racks adjacent to auto parking should be located so as to minimize conflicts with opening car doors.
2. Dimensional format shown: Minimum (Recommended).
3. All dimensions are in inches.
4. \* 36" spacing is preferred when adjacent to auto parking.
5. The bike racks shown may differ in design from the bike racks you are installing, however the spacing dimensions are applicable to all Sportworks On-Ground Horizontal 2 Bike Racks.
6. Recommended dimensions in compliance with the 2010 APBP Bicycle Parking Guidelines, 2nd Edition.



**NOTES:**

1. Dimensional format shown: Minimum (Recommended).
2. All dimensions are in inches.
3. The bike racks shown may differ in design from the bike racks you are installing, however the spacing dimensions are applicable to all Sportworks On-Ground Horizontal 2 Bike Racks.

