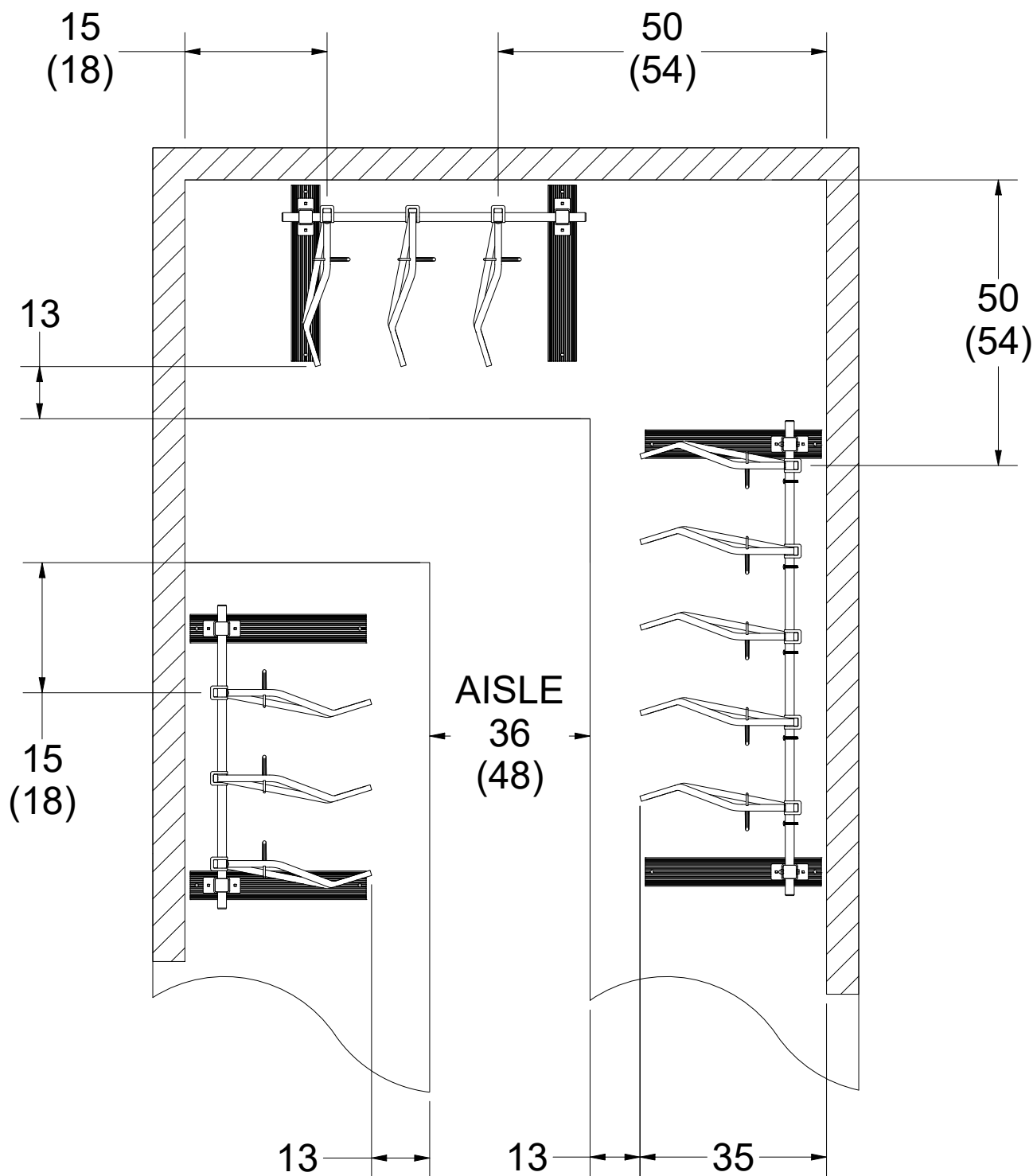
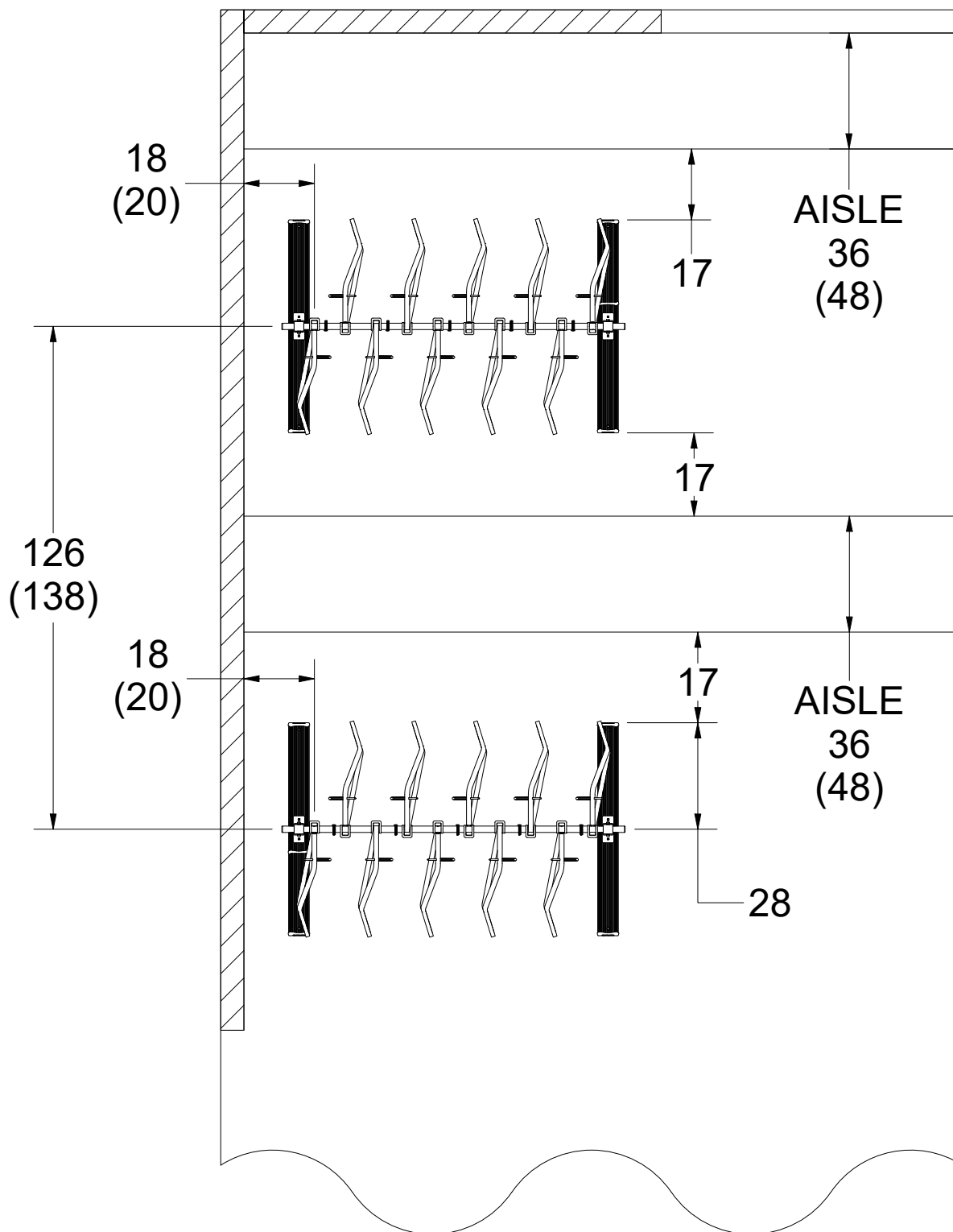


Dimensional format: $\frac{\text{Minimum}}{\text{(Recommended)}}$
 All dimensions are in inches.



Minimum required ceiling height: 84"

Dimensional format: $\frac{\text{Minimum}}{\text{(Recommended)}}$
 All dimensions are in inches.



Minimum required roof height: 84"