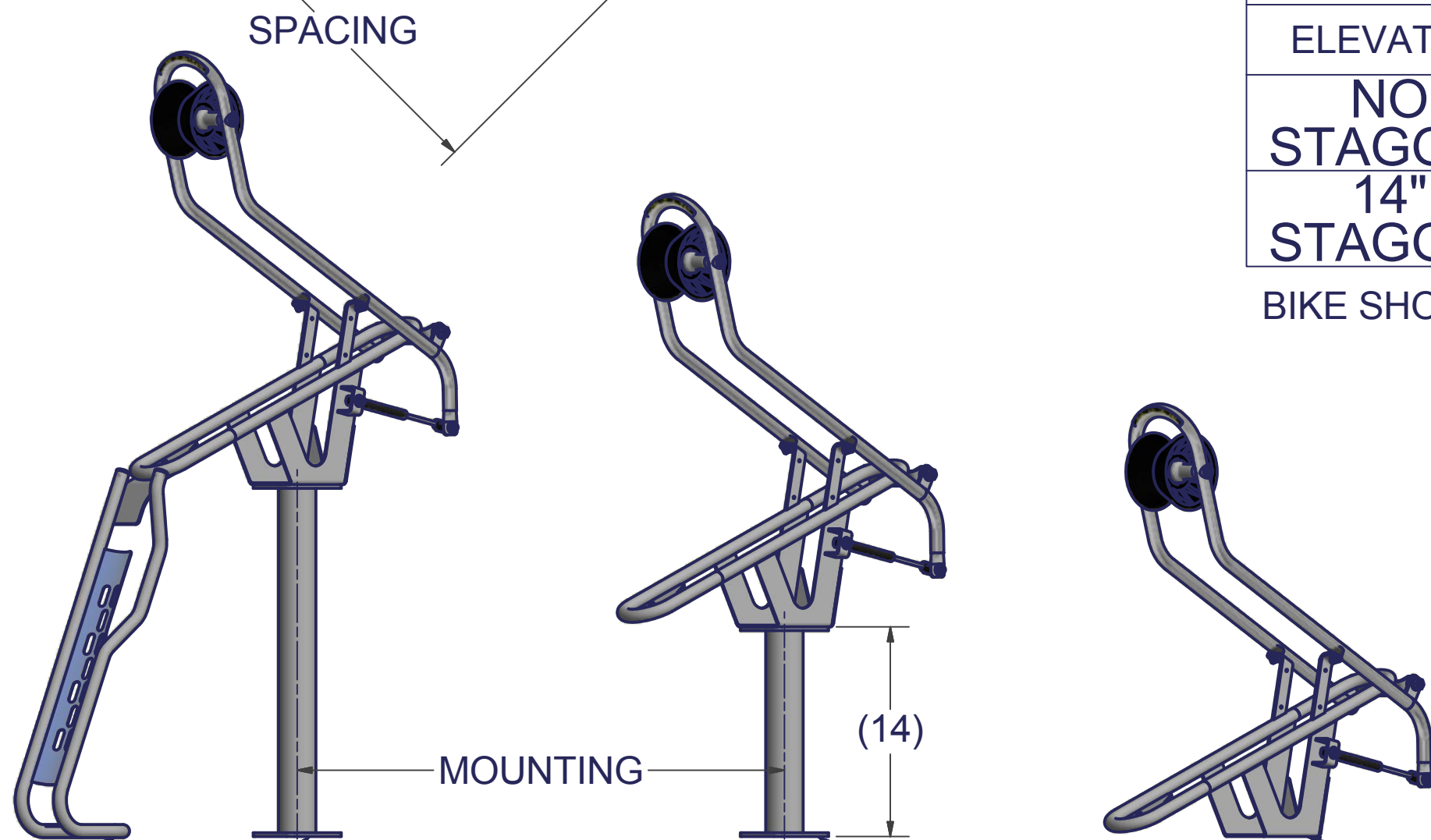


45 DEGREE RECOMMENDED INSTALLATION

ELEVATION	BIKE TO BIKE SPACING	FORE-AFT MOUNTING
NO STAGGER	19	27
14" STAGGER	16	22.6

BIKE SHOWN: 44" WHEELBASE, 69" OVERALL LENGTH

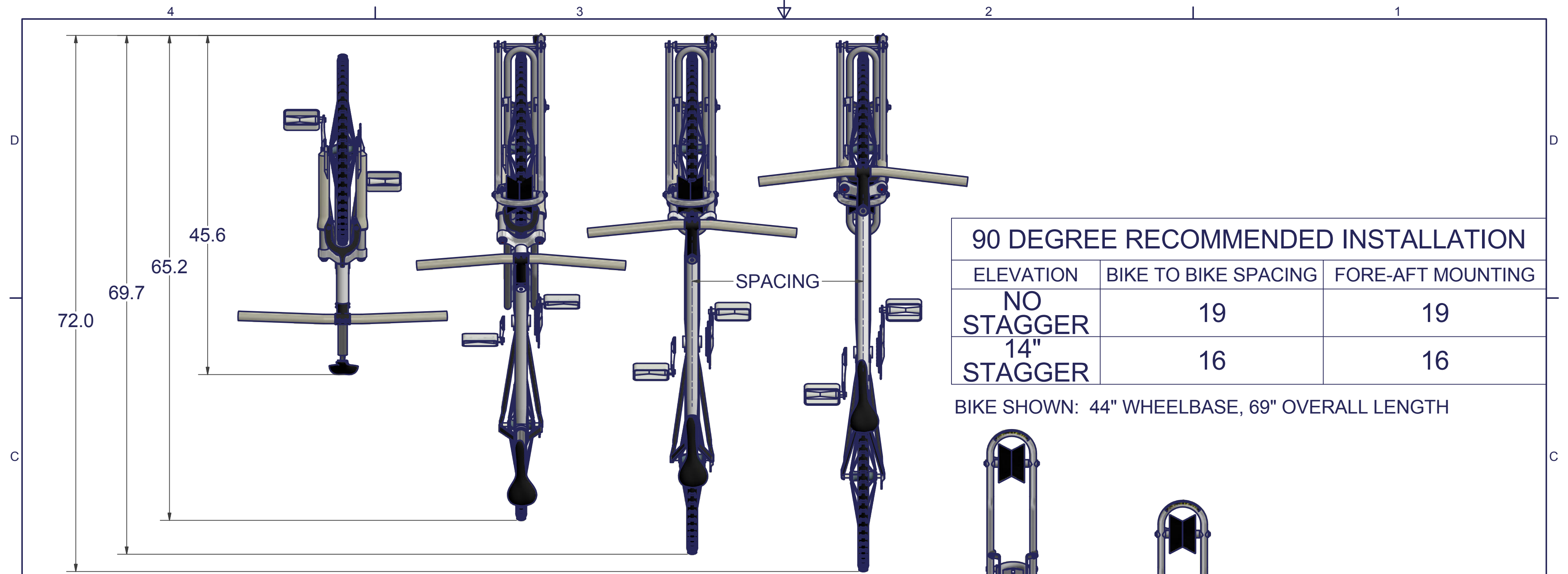


SPINLOCK INSTALLED AT 45DEG

REV	DESCRIPTION	DATE	APPROVED
A		12/2/2015	

Sportworks cannot verify that this installation fully loaded with bikes meets all federal, state and local highway requirements. Please have this installation reviewed and approved by your Engineering and Safety Department.

PROPRIETARY THIS IS PROPRIETARY INFORMATION AND IS NOT TO BE REPRODUCED OR DISTRIBUTED WITHOUT PRIOR WRITTEN AUTHORIZATION OF SPORTWORKS NW, INC.		TITLE SPINLOCK INSTALLATION LAYOUT	
Onmarkmfg / SPORTWORKS NW, INC. 15540 Woodinville-Redmond Rd. NE, #A-200 Woodinville, WA 98072-6930 PH: 425 483-7000 FX: 425 488-9001		DRAWN jerrys 12/2/2015	SIZE C DWG NO SpinLock Installation Layout REV A
		SCALE	SHEET 1 OF 2



90 DEGREE RECOMMENDED INSTALLATION

ELEVATION	BIKE TO BIKE SPACING	FORE-AFT MOUNTING
NO STAGGER	19	19
14" STAGGER	16	16

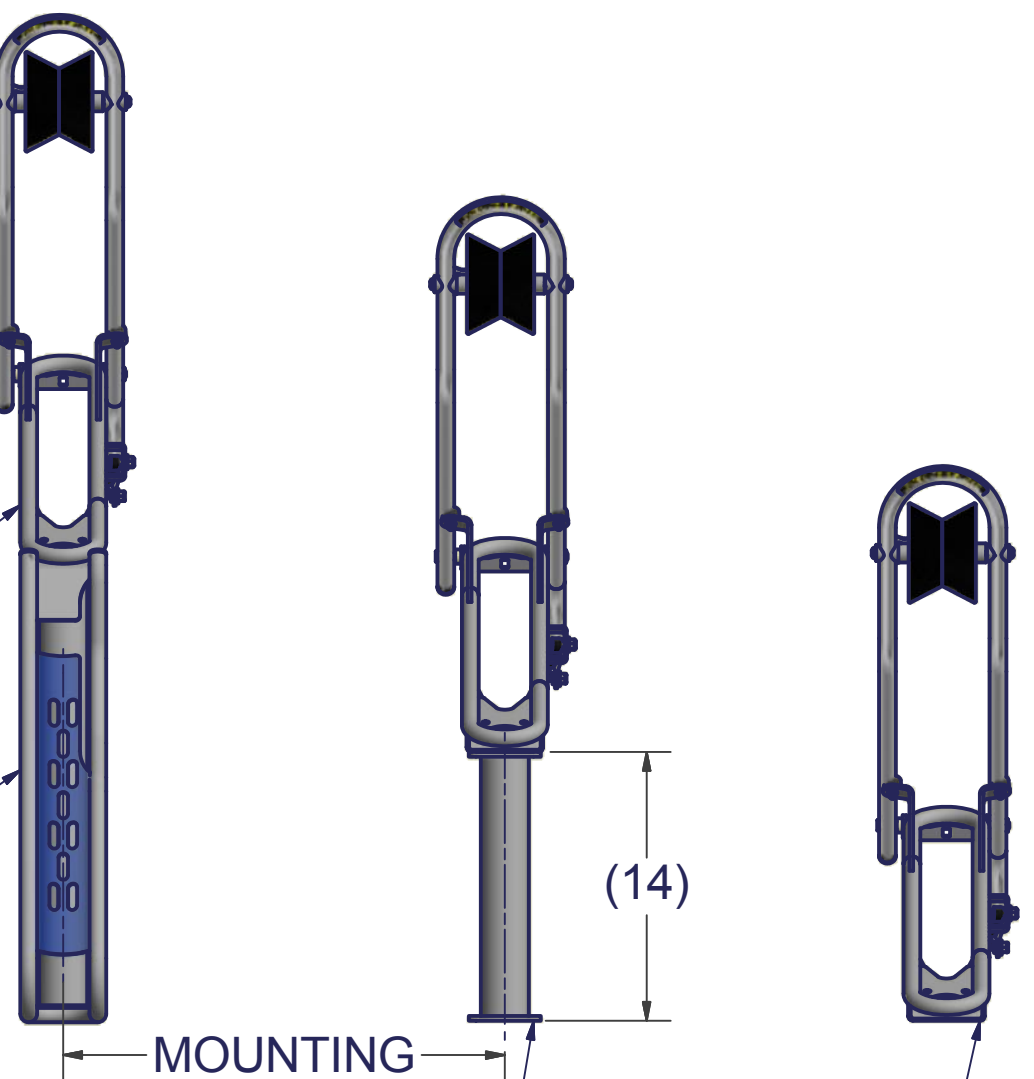
BIKE SHOWN: 44" WHEELBASE, 69" OVERALL LENGTH

101163 & 101179 RISER

101144 RAMP

101163 & 101171 RISER

101163



Sportworks cannot verify that this installation fully loaded with bikes meets all federal, state and local highway requirements. Please have this installation reviewed and approved by your Engineering and Safety Department.

PROPRIETARY THIS IS PROPRIETARY INFORMATION AND IS NOT TO BE REPRODUCED OR DISTRIBUTED WITHOUT PRIOR WRITTEN AUTHORIZATION OF SPORTWORKS NW, INC.		TITLE SPINLOCK INSTALLATION LAYOUT	
Onmarkmfg / SPORTWORKS NW, INC. 15540 Woodinville-Redmond Rd. NE, #A-200 Woodinville, WA 98072-6930 PH: 425 483-7000 FX: 425 488-9001		DRAWN jerrys 12/2/2015	SIZE C DWG NO SpinLock Installation Layout REV A
CHECKED		SCALE	SHEET 2 OF 2