

VelopA

# EASYLIFT PREMIUM

TWO-TIER BIKE PARKING



**NOW AVAILABLE**

**FOR THE FIRST TIME IN  
NORTH AMERICA  
THE MOST POPULAR  
TWO-TIER SYSTEM  
IN THE NETHERLANDS**

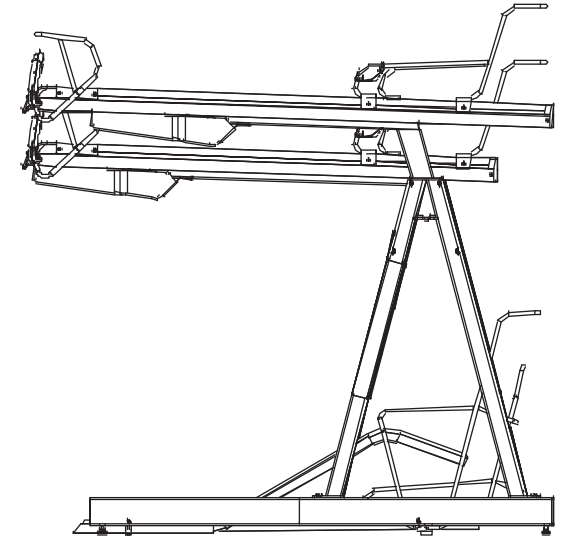


**EASY INSTALL:** VelopA designed the Easylift Premium to be easy to use and easy to install.

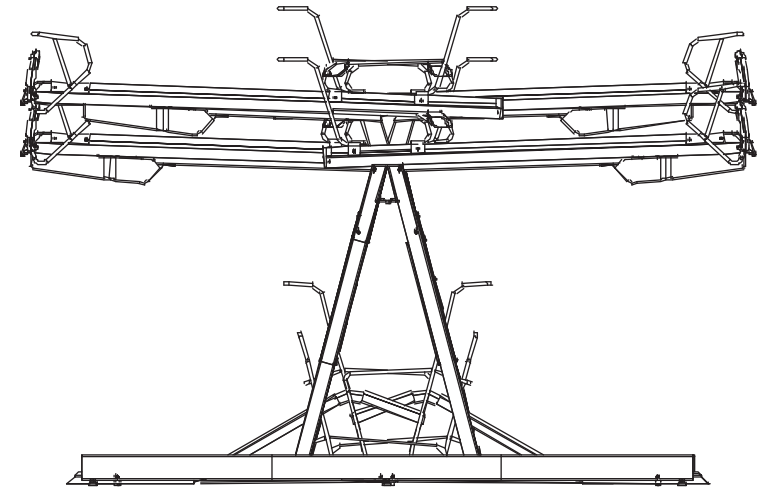
**GAS SPRINGS AND DAMPERS:** Integrated gas springs minimize the effort required to lift bikes into the upper trays, and dampers ensure safe and controlled hands-free descent when removing bikes.

**SPACING OPTIONS:** Available center-to-center spacings including 14.8", 15.7", 17.7", 19.7", 25.6", and 29.5".

**OUTDOOR USE:** Galvanized finish is standard, allowing for continuous exterior or interior use.



**SINGLE SIDED**



**DOUBLE SIDED**

**VelopA TWO-TIER BIKE RACK**

**RACK SPECIFICATIONS**

MINIMUM SPACING BETWEEN BIKES

14.8" (375 MM)

SPACINGS AVAILABLE

14.8" (375 MM) / 15.7" (400 MM) / 17.7" (450 MM)

19.7" (500 MM) / 25.6" (650 MM) / 29.5" (750 MM)

RECOMMENDED CEILING HEIGHT

108.3" (2750 MM)

aisle way clearance

82.6" (2100 MM)

SINGLE-SIDED RACK & aisle way clearance

160.2" (4070 MM)

DOUBLE-SIDED RACK & aisle way clearance

279.5" (7100 MM)

SINGLE-SIDED FACING EACH OTHER RACK

237.8" (6040 MM)

AND aisle way clearance

-

LOCKING OPTIONS

U-LOCK LOOP

LIFT ASSIST

GAS SPRINGS

MATERIAL OPTIONS

MILD STEEL

MOUNTING

SURFACE

FINISH & COATING OPTIONS

GALVANIZED / POWDER COAT

WARRANTY

1 YEAR

**ORDERING INFO**

LEAD TIME

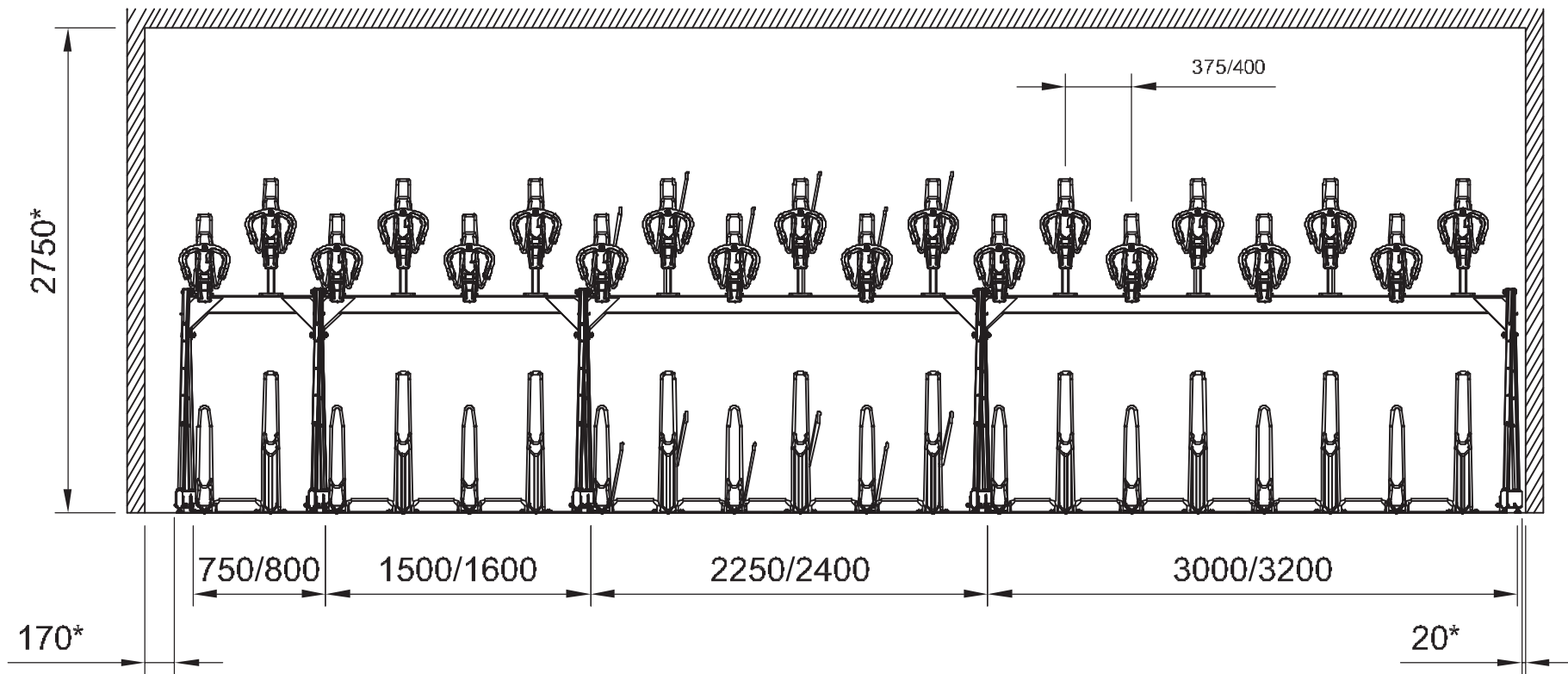
50 DAYS

All EasyLift Premium Models comply with FietsParKeur standards for dual-level bicycle parking systems.





## STANDARD MODULE DIMENSIONS AND CLEARANCES



# STANDARD MODULE DIMENSIONS AND CLEARANCES

