

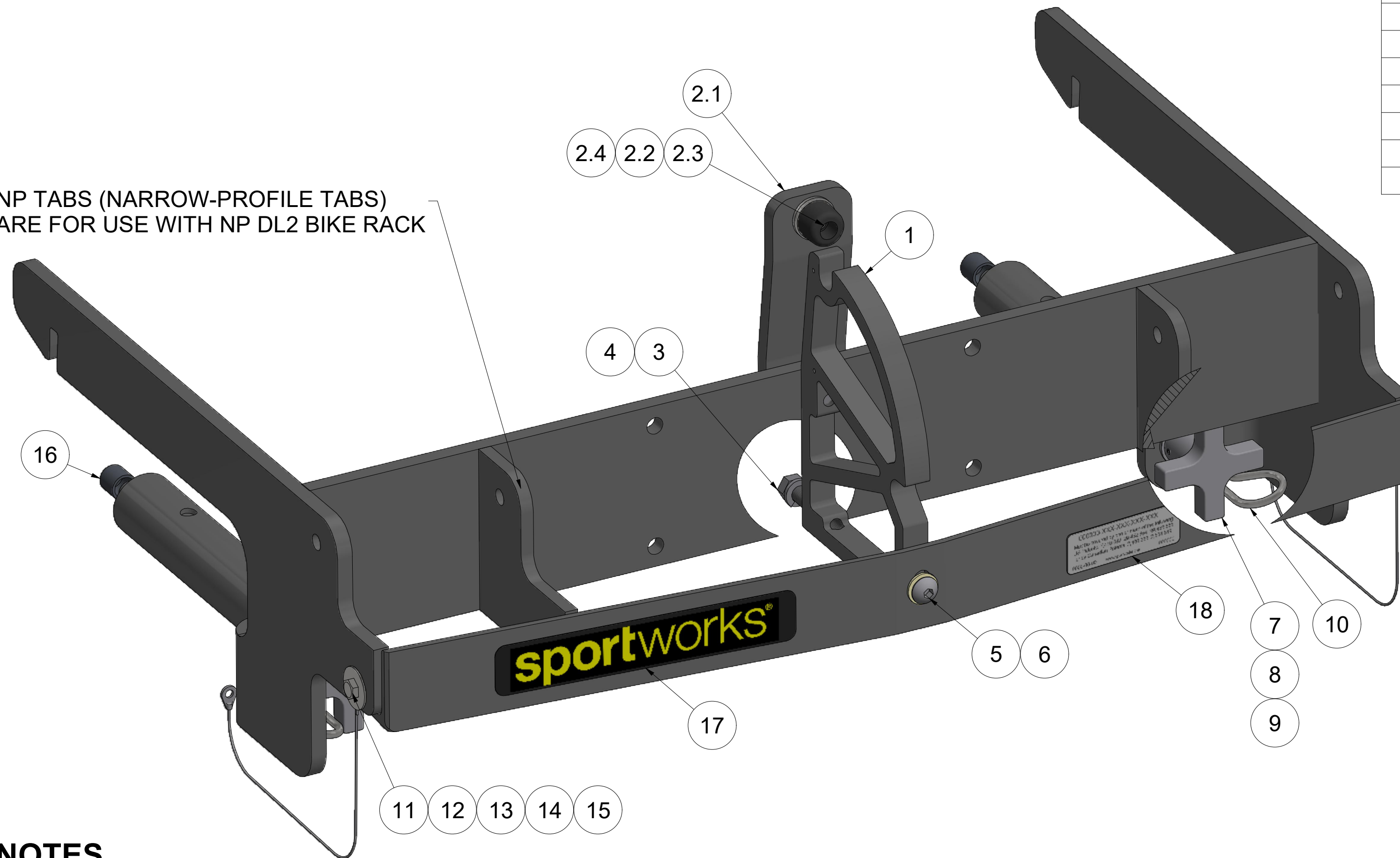
Standard TSB Base Part Numbers

NP Tabs?	Romeo Rim Slide-In	Romeo Rim Universal	Romeo Rim Swept (short install)	Romeo Rim Swept (long install)	Romeo Rim HD Swept
Yes	100626	101075	100641	100668	100762
No	N/A	N/A	100637	N/A	N/A

PARTS LIST - 4-DIGIT P/Ns MAY NOT BE SET UP FOR SALE. PLEASE CONTACT SPORTWORKS FOR REPLACEMENT P/Ns

ITEM	QTY	PART NO	TITLE
1	1	6418-BLK	QUADRANT, Extruded and Machined, BLACK
2	1	6387	Travel Stop Sub, Welded Pivot Plates and TSB's
2.1	1	8059-BLK	Travel Stop Bar, DL2, Black (subassy)
2.2	1	7452	BUMPER, RUBBER, 1 dia. w/ washer, EPDM, 70 durometer
2.3	1	7511	BHCS, 10-32 x .625, Stainless
2.4	2	6381	WASHER, FLAT, .2 ID x 1.0 OD x 0.075 Thick, Stainless
3	2	7020	HHCS, 3/8-16 X 1-1/2, Zinc II
4	2	7087	WASHER, LOCK, Split, 3/8, Zinc II
5	1	7195	BHCS, 3/8-16 x 1, Stainless, Import
6	1	7196	WASHER, FLAT, NYLON, .75 OD x .375 ID x .062 thk
7	2	9547	Star Knob, Hand, 1/2-13 x 9 -1/4, Stainless Stud, Al knob, Large
8	2	7023	WASHER, FLAT, 1/2, SAE, Steel, Zinc II
9	2	7391	NUT, HEX, 1/2-13, Nylock, Gr 8, Steel, Zinc II
10	2	9566	PIN, HAIRPIN, fits .75-1.06 shaft, 3.5 OAL, Steel, Zinc I
11	2	9009	HHCS, 1/4-20 x 1, 18-8 Stainless
12	2	7778	WASHER, FLAT, Fender, .25 ID x 1 OD, Stainless
13	2	9672	Leash, 8", Ten Second Bracket
14	2	7012	WASHER, FLAT, 1/4 SS
15	2	7009	NUT, HEX, 1/4-20, Nylock, Stainless
16	2	7796	CAP, .467 ID x .625L, Vinyl, Black
17	1	9802	LABEL, Sportworks, 7.25 in. x 1.25 in.
18	1	9682	LABEL, Vehicle Racks Patent Decal w/Mfr. Info

NP TABS (NARROW-PROFILE TABS) ARE FOR USE WITH NP DL2 BIKE RACK



NOTES

1. SEE NEXT PAGES FOR OPTIONS.

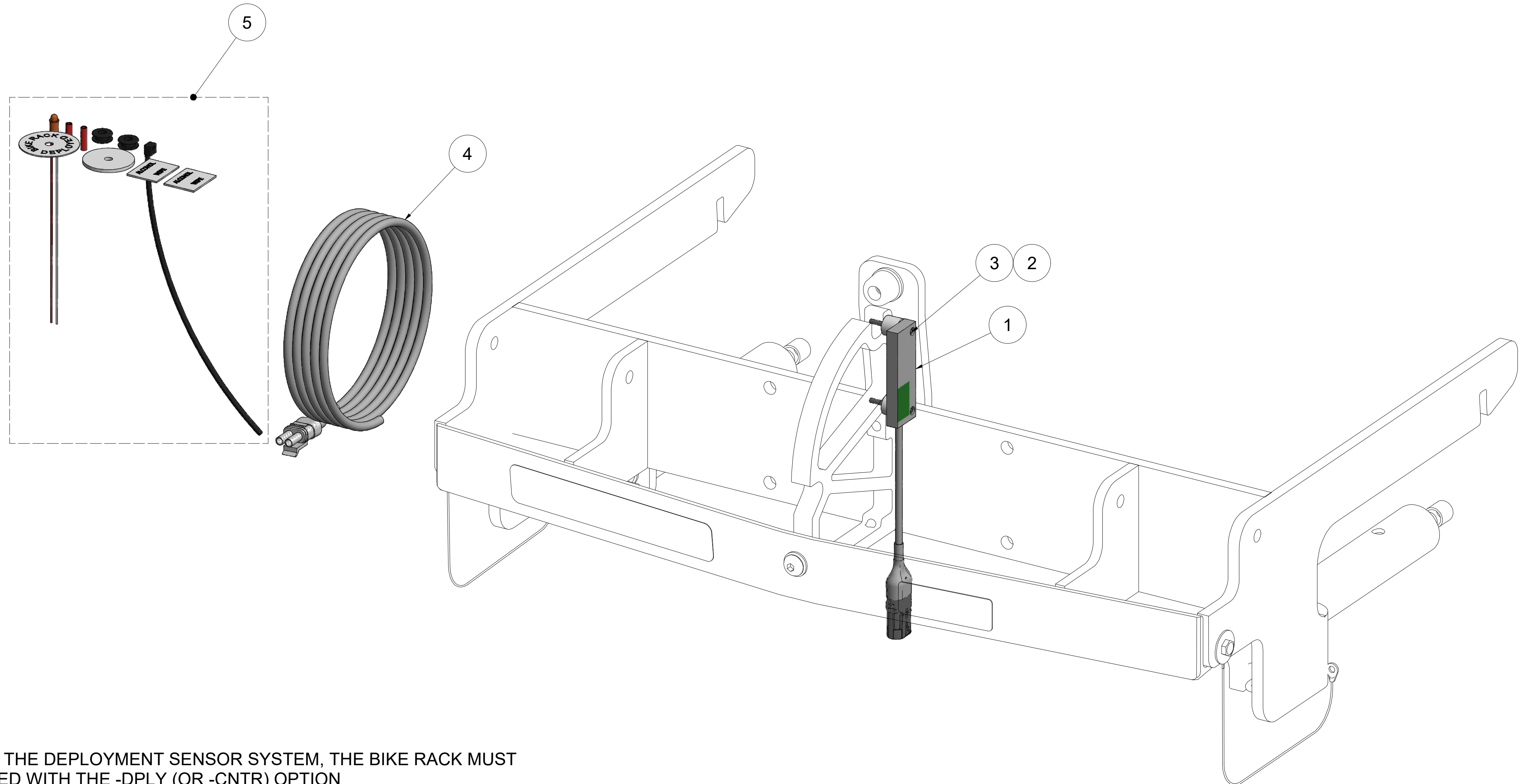
Sportworks Northwest, Inc. 15540 Woodinville-Redmond Rd. NE, Bldg A-200 Woodinville, WA 98072, PH: 425-483-7000, FX: 425-488-9001	TITLE	Standard TSBs Parts and Options Breakdown
	DWG NO.	Standard TSBs - Parts and Options Breakdown
	PROPRIETARY: THIS IS PROPRIETARY INFORMATION AND IS NOT TO BE REFERENCED OR DISTRIBUTED WITHOUT PRIOR WRITTEN AUTHORIZATION OF SPORTWORKS NORTHWEST, INC.	REV
SIZE	C2B	NO DRAWING SCALE
SHEET	1	OF 2

REV	DESCRIPTION	DATE	BY	CHK
A	INITIAL RELEASE	12/30/2020	GMC	JMS

-DPLY OPTION

PARTS LIST - 4-DIGIT P/Ns MAY NOT BE SET UP FOR SALE. PLEASE CONTACT SPORTWORKS FOR REPLACEMENT P/Ns

ITEM	QTY	PART NO	TITLE
1	1	4041	Magnetic Switch with Weatherpack Connector - Standard (5 in. pigtail)
2	2	7801	Stand Off, NYLON, #6, .5 OD x .5L, Domestic
3	2	7800	SHCS, 6-32 x 1.125, Stainless, Import
4	1	4042	CABLE, 9' with Weatherpack Connector, 20AWG 2 conductor
5	1	6536	BOLT KIT - Deployment Ten Second Bracket Attachment



NOTES

1. TO COMPLETE THE DEPLOYMENT SENSOR SYSTEM, THE BIKE RACK MUST ALSO BE SPECIFIED WITH THE -DPLY (OR -CNTR) OPTION

Sportworks Northwest, Inc.

15540 Woodinville-Redmond Rd. NE, Bldg A-200
Woodinville, WA 98072, PH: 425-483-7000, FX: 425-488-9001

PROPRIETARY: THIS IS PROPRIETARY INFORMATION AND IS NOT TO BE REFERENCED OR DISTRIBUTED WITHOUT PRIOR WRITTEN AUTHORIZATION OF SPORTWORKS NORTHWEST, INC.

TITLE

Standard TSBs Parts and Options Breakdown

DWG NO.

Standard TSBs - Parts and Options Breakdown

REV

A

SIZE C2B | NO DRAWING SCALE | SHEET 2 OF 2