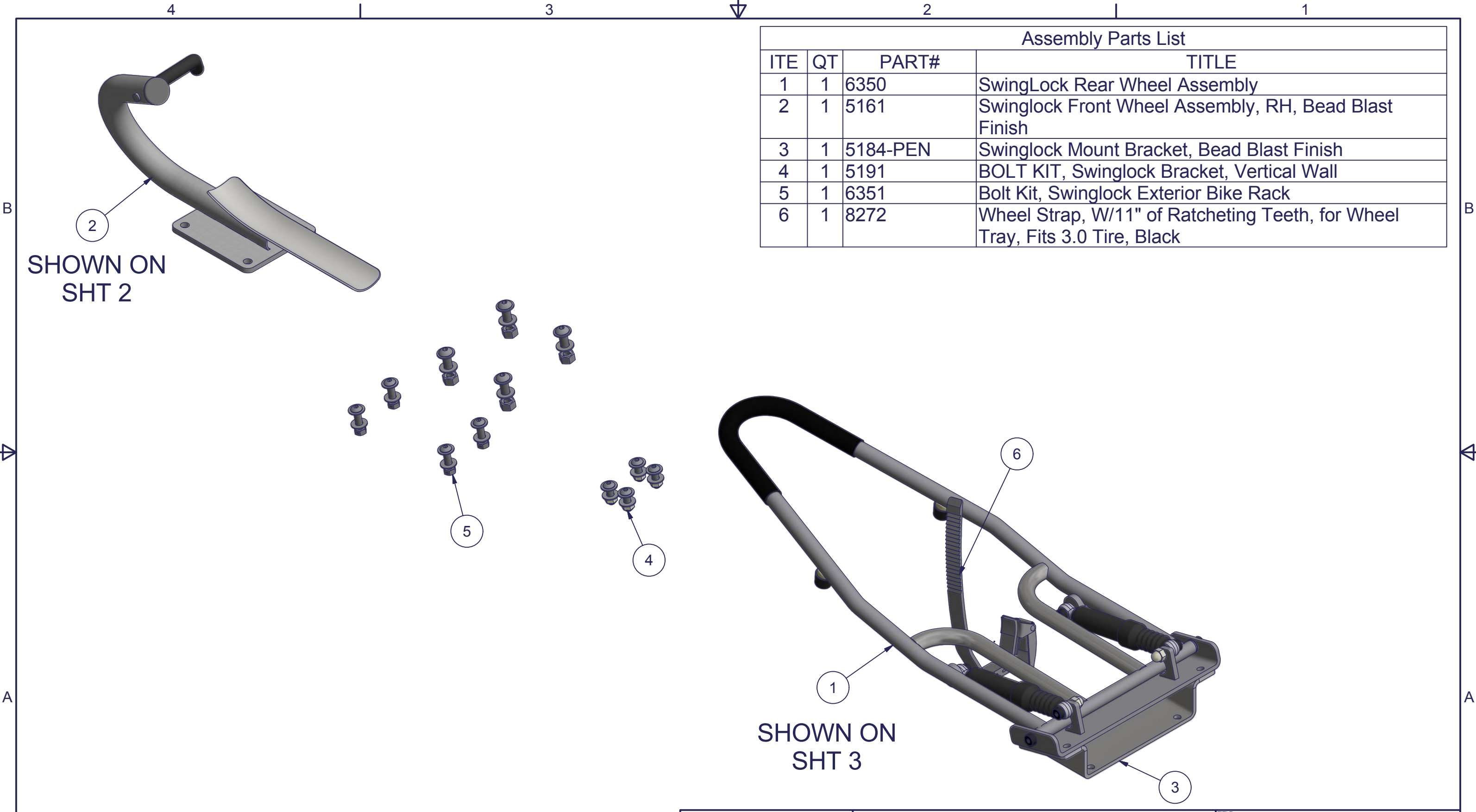


Assembly Parts List			
ITE	QT	PART#	TITLE
1	1	6350	SwingLock Rear Wheel Assembly
2	1	5161	Swinglock Front Wheel Assembly, RH, Bead Blast Finish
3	1	5184-PEN	Swinglock Mount Bracket, Bead Blast Finish
4	1	5191	BOLT KIT, Swinglock Bracket, Vertical Wall
5	1	6351	Bolt Kit, Swinglock Exterior Bike Rack
6	1	8272	Wheel Strap, W/11" of Ratcheting Teeth, for Wheel Tray, Fits 3.0 Tire, Black



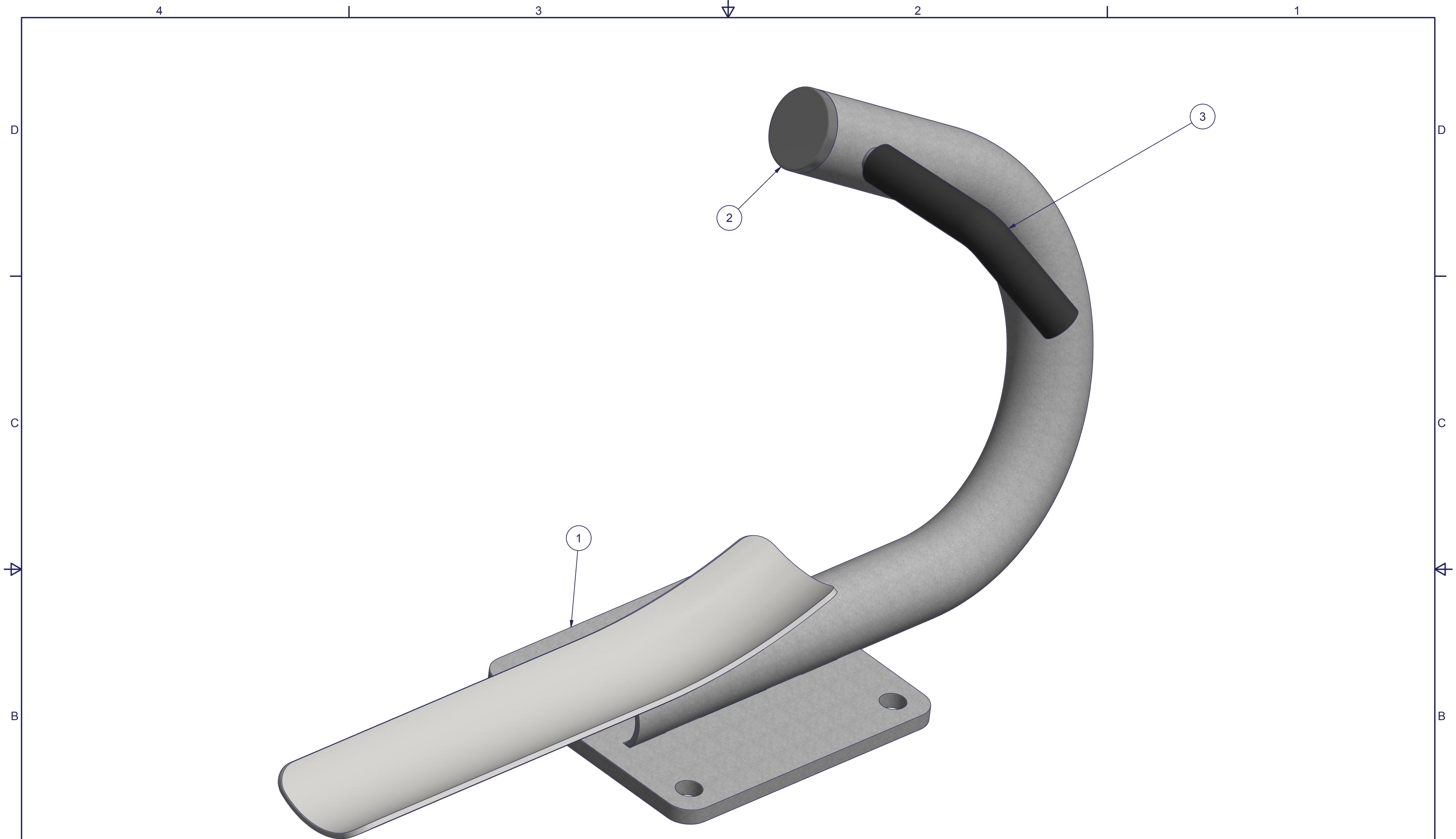
**REVISION HISTORY**

REV	DESCRIPTION	DATE	APPR
A	INITIAL RELEASE	3/21/2016	JMS

**REFER TO ERP BOM FOR PACKAGING MATERIALS AND OTHER SMALL PARTS SHIPPED WITH MAIN ASSEMBLY.**

**PROPRIETARY** THIS IS PROPRIETARY INFORMATION AND IS NOT TO BE REPRODUCED OR DISTRIBUTED WITHOUT PRIOR WRITTEN AUTHORIZATION OF SPORTWORKS NW, INC.  
 Onmarkmfg / SPORTWORKS NW, INC.  
 15540 Woodinville-Redmond Rd. NE, #A-200  
 Woodinville, WA 98072-6930 PH: 425 483-7000 FX: 425 488-9001

TITLE: SwingLock Exterior BikeRack, MCI Kit  
 DRAWN: Jerry's  
 2/19/2016  
 SIZE: B DWG NO: 101196 - Parts List REV: A  
 SCALE: SHEET 1 OF 3



Assembly Parts List			
ITEM	QTY	PART NUMBER	DESCRIPTION
1	1	5150-PEN	Swinglock, Front Wheel Hook Weldment, Bead Blast, RH
2	1	8046	CAP, PLASTIC, ROUND, 1-1/4"
3	1	5236	Cushioned Slide-on Grip Round Smooth Surface, Fits 5/16"-3/8" OD, 3.50" L

**NOTES**

<table border="1"> <tr> <td>A</td> <td>INITIAL RELEASE</td> <td>3/21/2016</td> <td>JMS</td> </tr> <tr> <td>REV</td> <td>DESCRIPTION</td> <td>DATE</td> <td>APPR</td> </tr> </table>				A	INITIAL RELEASE	3/21/2016	JMS	REV	DESCRIPTION	DATE	APPR	<p><b>PROPRIETARY</b> THIS IS PROPRIETARY INFORMATION AND IS NOT TO BE REPRODUCED OR DISTRIBUTED WITHOUT PRIOR WRITTEN AUTHORIZATION OF SPORTWORKS NW, INC.</p>			TITLE		
A	INITIAL RELEASE	3/21/2016	JMS														
REV	DESCRIPTION	DATE	APPR														
<p><b>SPORTWORKS NW, INC.</b> 15500 Woodinville-Redmond Rd. NE, #C-600 Woodinville, WA 98072-6930 PH: 425 483-7000 FX: 425 483-9001</p>				DRAWN jerrys 2/19/2016		SIZE C	DWG NO <b>101196 - Parts List</b>	REV A									
				CHECKED		SCALE		SHEET 2 OF 3									

4

3

2

1

D

D

C

C

B

B

A

A

4

3

2

1

Assembly Parts List			
ITEM	QTY	PART#	TITLE
1	2	4627	SCREW, SHOULDER, 3/8-16 x .25, 18-8 Stainless
2	4	4628	SCREW, SHOULDER, 3/8-16 x .5, 18-8 Stainless
3	1	5153	Swinglock, Interior Rack Rear Arm Weldment
4	2	6349	Gas Spring with Boot
5	2	4639	Rubber Bumper W/Unthreaded Through Hole w/o Washer, 7/8" Base Dia, 5/8" Height
6	2	4650	SHCS 10-32 X 1.0 SS
7	2	4647	Wear-Resistant Delrin® Acetal Flat Washer 3/8" Screw Size, .63" OD, .02"-.04" Thickt
8	2	9896	Stainless Steel Acorn Nut 5/16"-18 Screw Size, 9/16" Width, 17/32" Height
9	1	5152	Swing Lock Rear Hoop Bracket Weldment, Bead Blasted
10	2	5303	SPACER, STANDOFF, Nylon, 11/32 x 0.75 OD x 0.125 Long for .75 dia tube



**NOTES**

<table border="1"> <tr> <td>A</td> <td>INITIAL RELEASE</td> <td>3/21/2016</td> <td>JMS</td> </tr> <tr> <td>REV</td> <td>DESCRIPTION</td> <td>DATE</td> <td>APPROVED</td> </tr> </table>				A	INITIAL RELEASE	3/21/2016	JMS	REV	DESCRIPTION	DATE	APPROVED	<p><b>PROPRIETARY</b> THIS IS PROPRIETARY INFORMATION AND IS NOT TO BE REPRODUCED OR DISTRIBUTED WITHOUT PRIOR WRITTEN AUTHORIZATION OF SPORTWORKS NW, INC.</p> <p><b>SPORTWORKS NW, INC.</b>  15500 Woodinville-Redmond Rd. NE, #C-600  Woodinville, WA 98072-6930 PH: 425 483-7000 FX: 425 483-9001</p>		TITLE		
				A	INITIAL RELEASE	3/21/2016	JMS									
REV	DESCRIPTION	DATE	APPROVED													
DRAWN	2/19/2016	SIZE	DWG NO	REV												
		CHECKED		C	<b>101196 - Parts List</b>	A										
				SCALE	SHEET 3 OF 3											