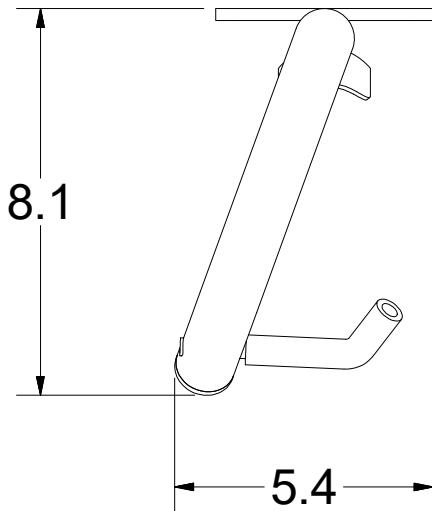
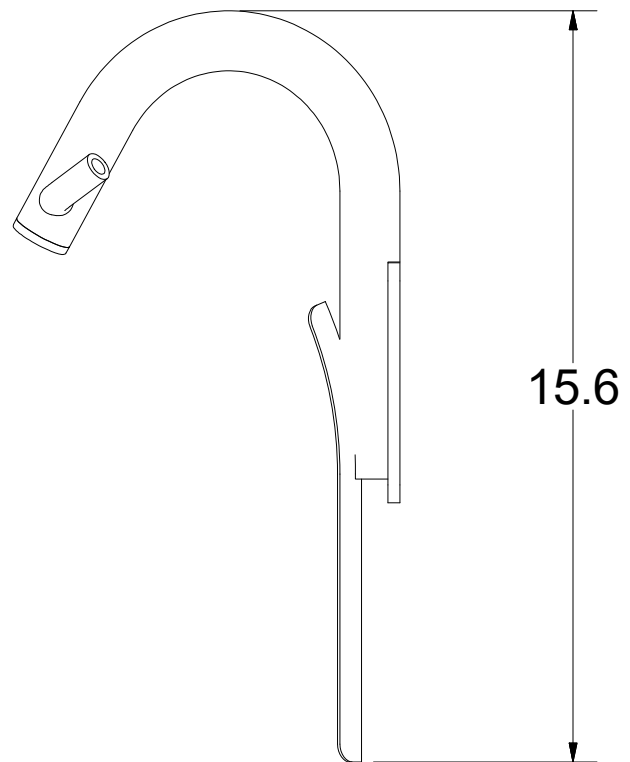
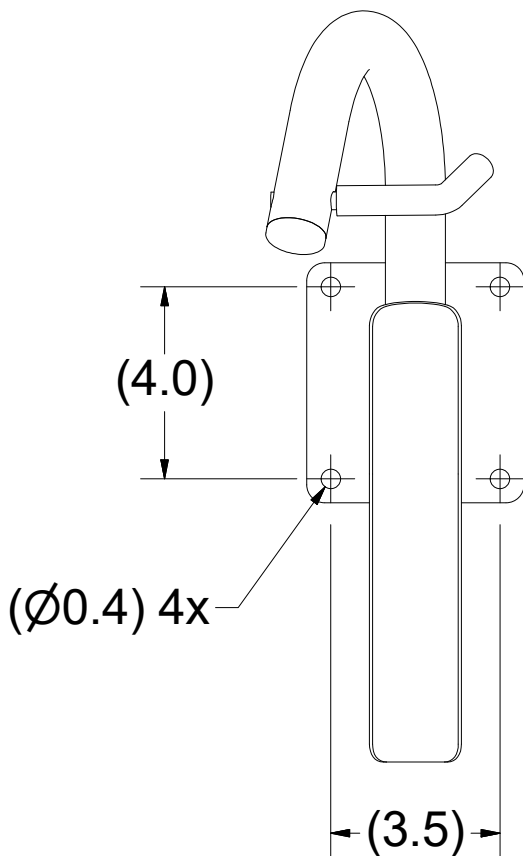


Dimensional format shown. Minimum (Recommended)
All dimensions are in inches.

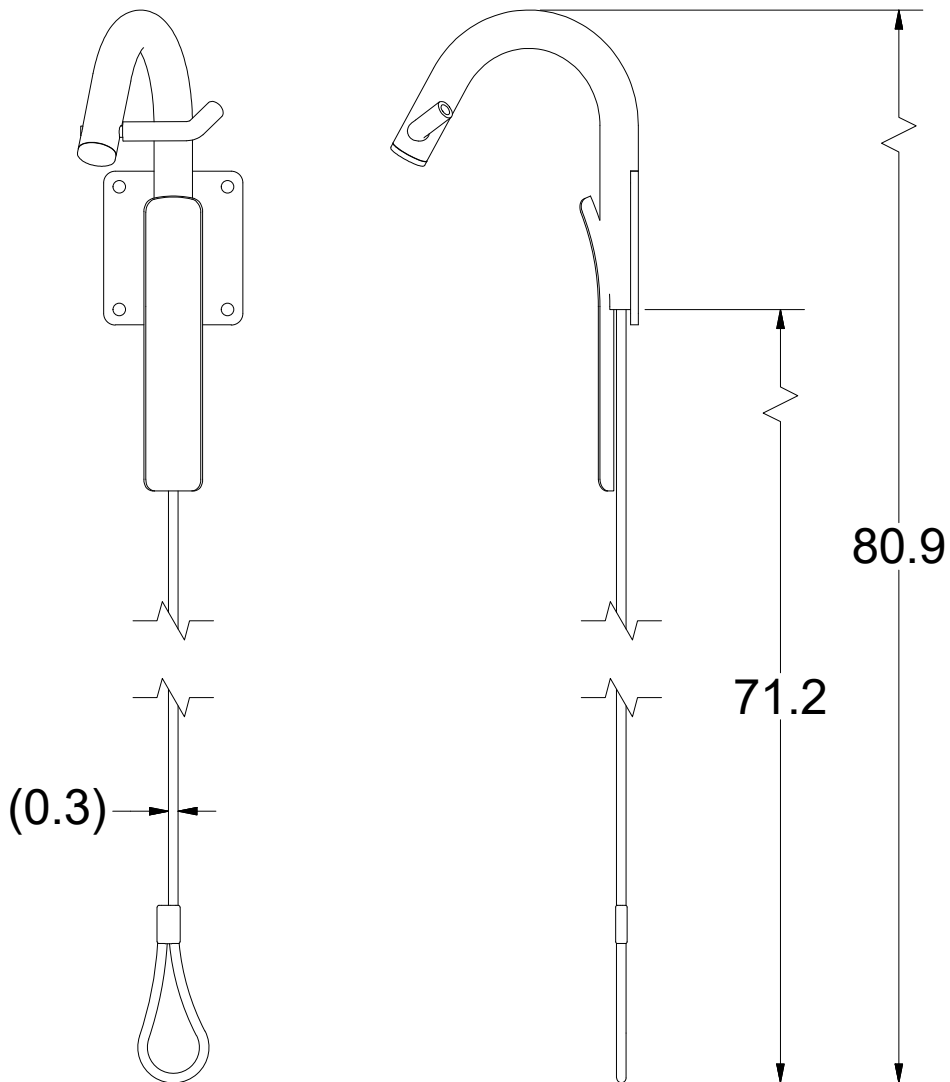
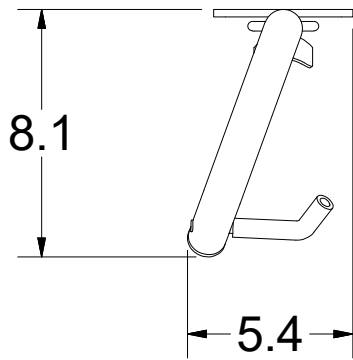


MAT'L: 304 STAINLESS STEEL
FINISH: BEAD BLAST



ESTIMATED WEIGHT: 2.5 LB

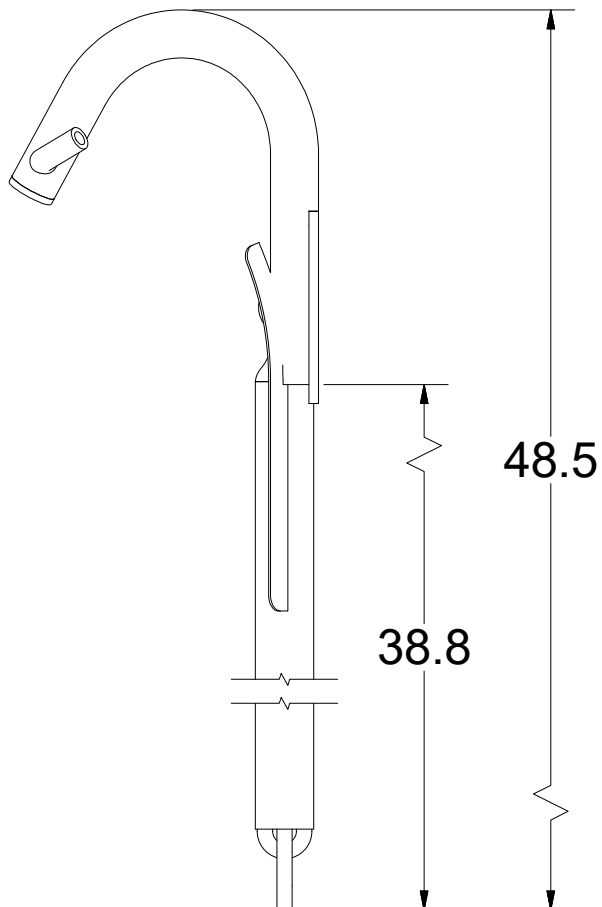
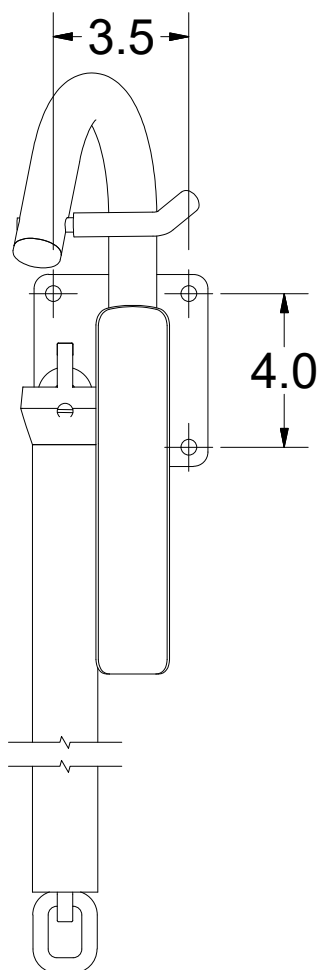
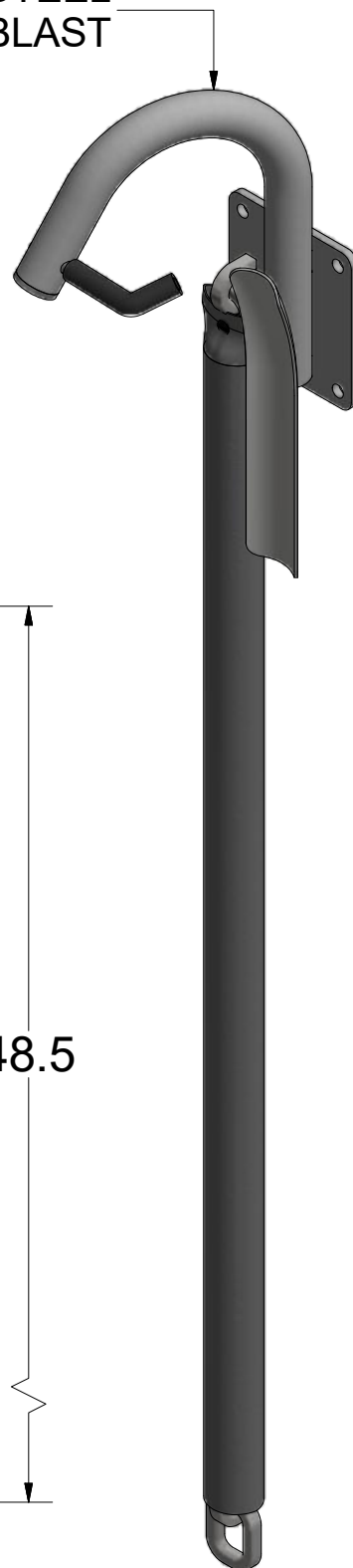
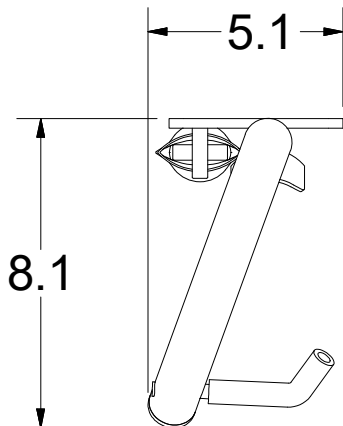
Dimensional format shown. Minimum (Recommended)
All dimensions are in inches.



ESTIMATED WEIGHT: 3 LB

Dimensional format shown. Minimum (Recommended)
All dimensions are in inches.

MAT'L: 304 STAINLESS STEEL
FINISH: BEAD BLAST



ESTIMATED WEIGHT: 8.5 LB