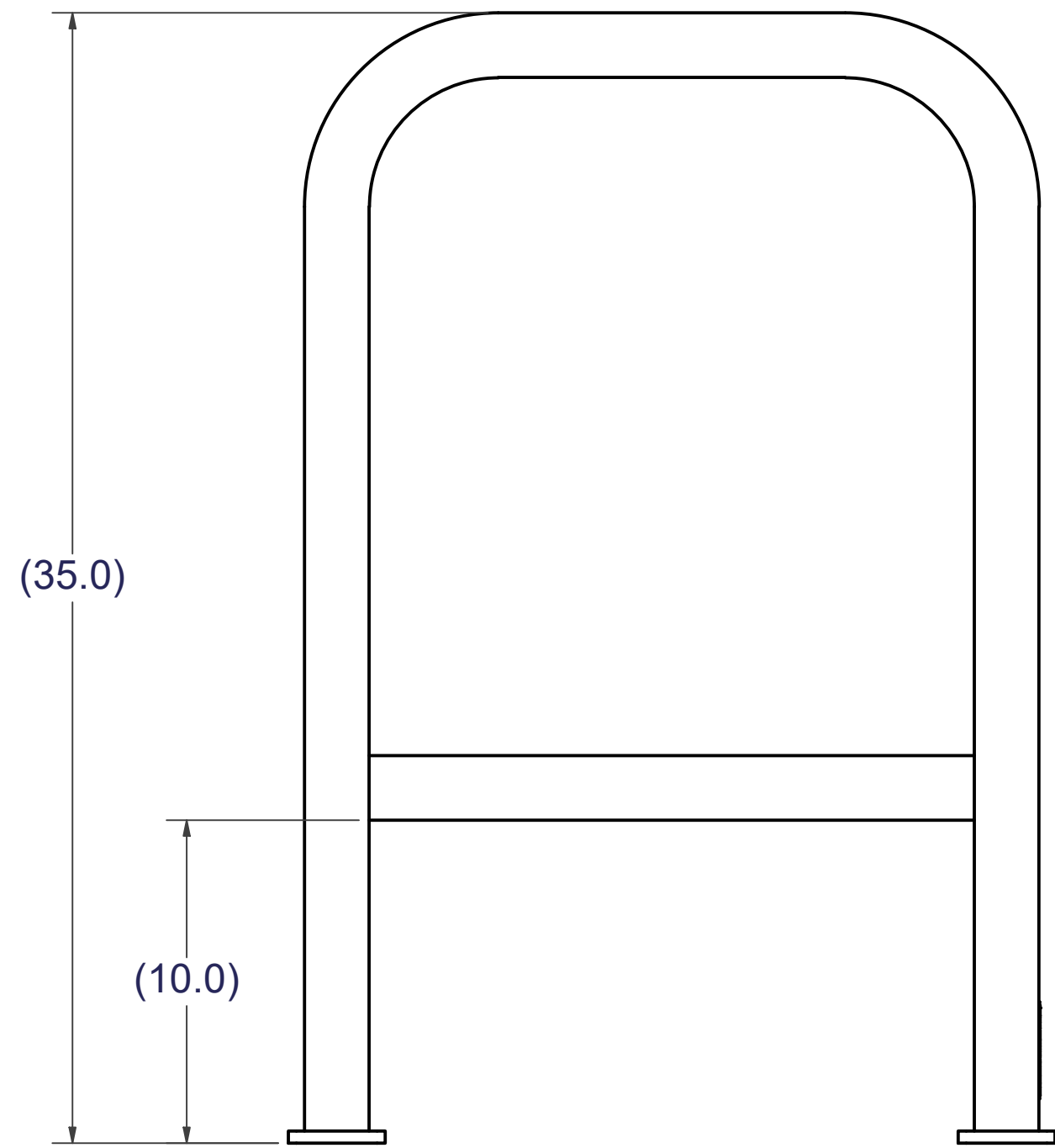
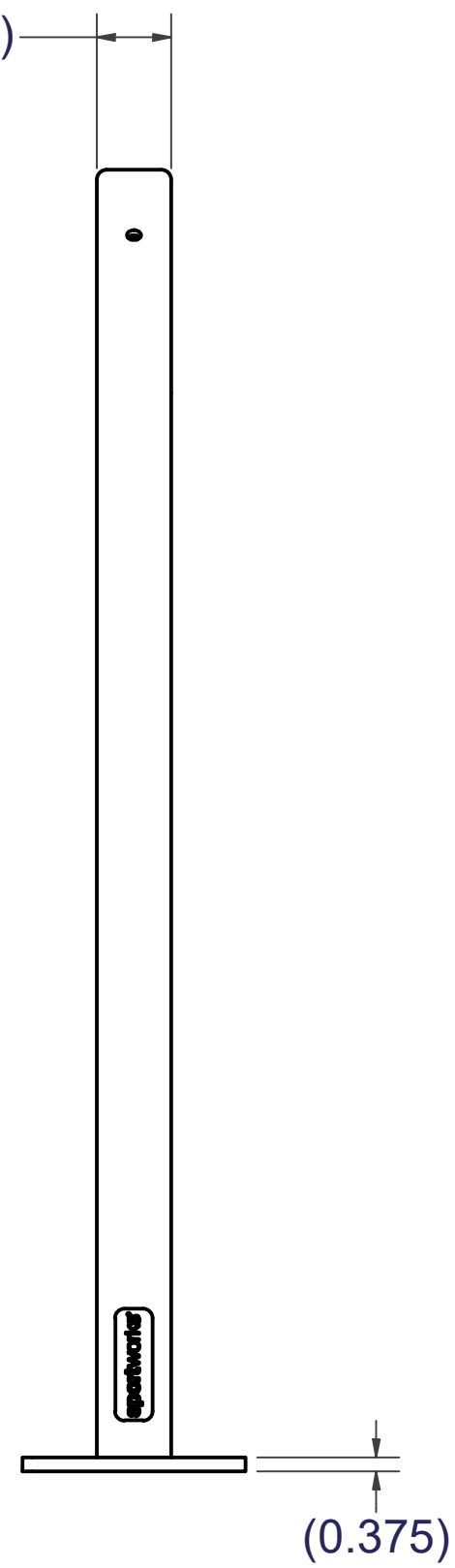


FOOT
DETAIL A

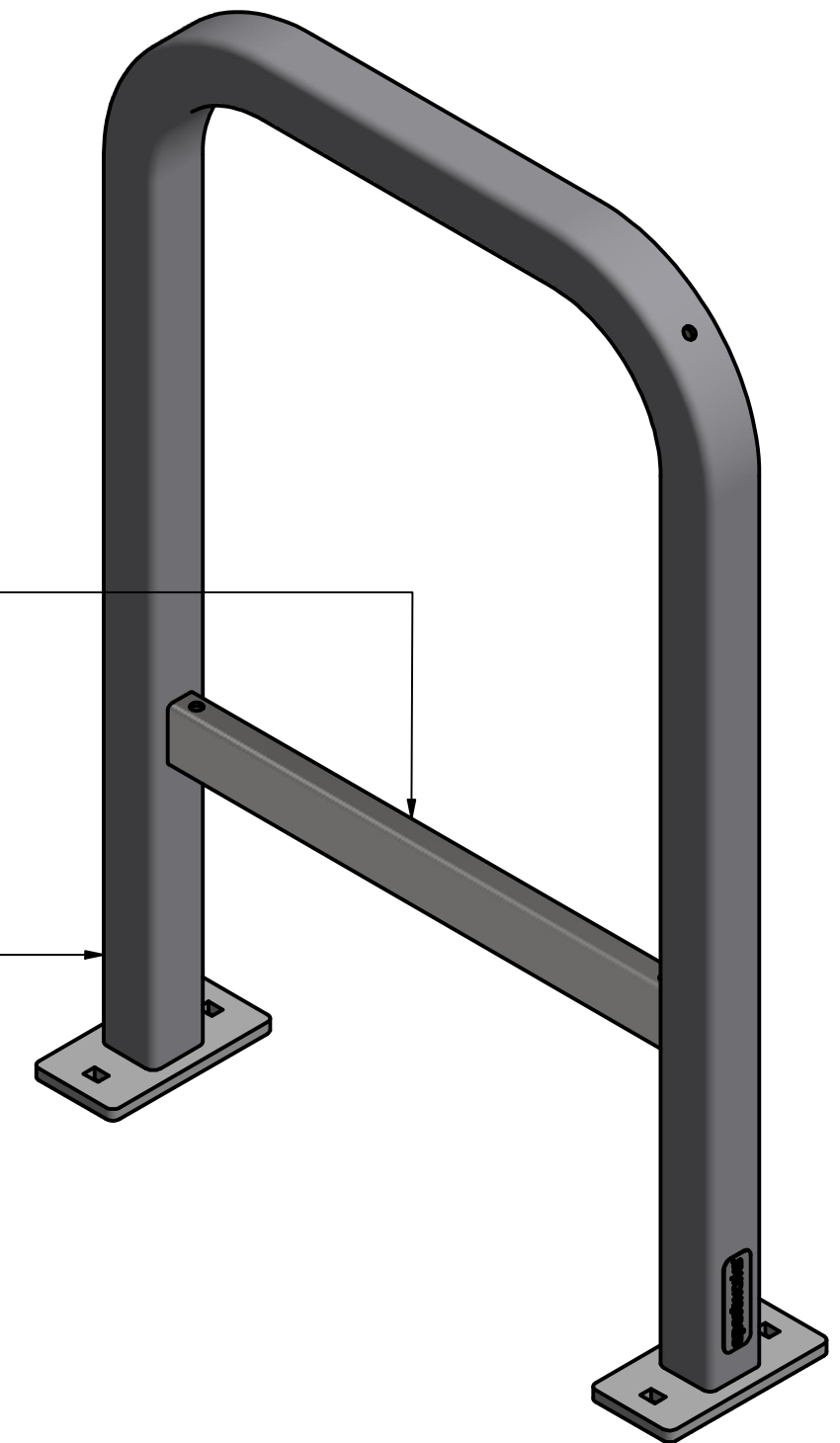


(2.0 SQUARE)



CANE DETECTABLE
CROSS TUBE

HEAVY DUTY
0.188 WALL TUBE



PRODUCT WEIGHT: 34.6 LB