

Sportworks Global LLC

15540 Woodinville-Redmond Rd. NE, Bldg A-200
Woodinville, WA 98072, PH: 425-483-7000, FX: 425-488-9001

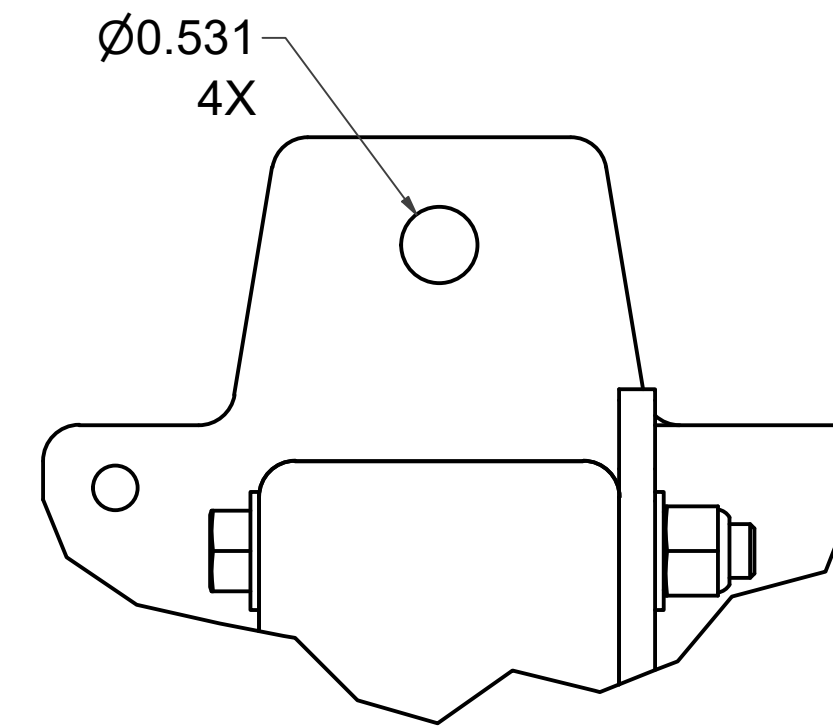
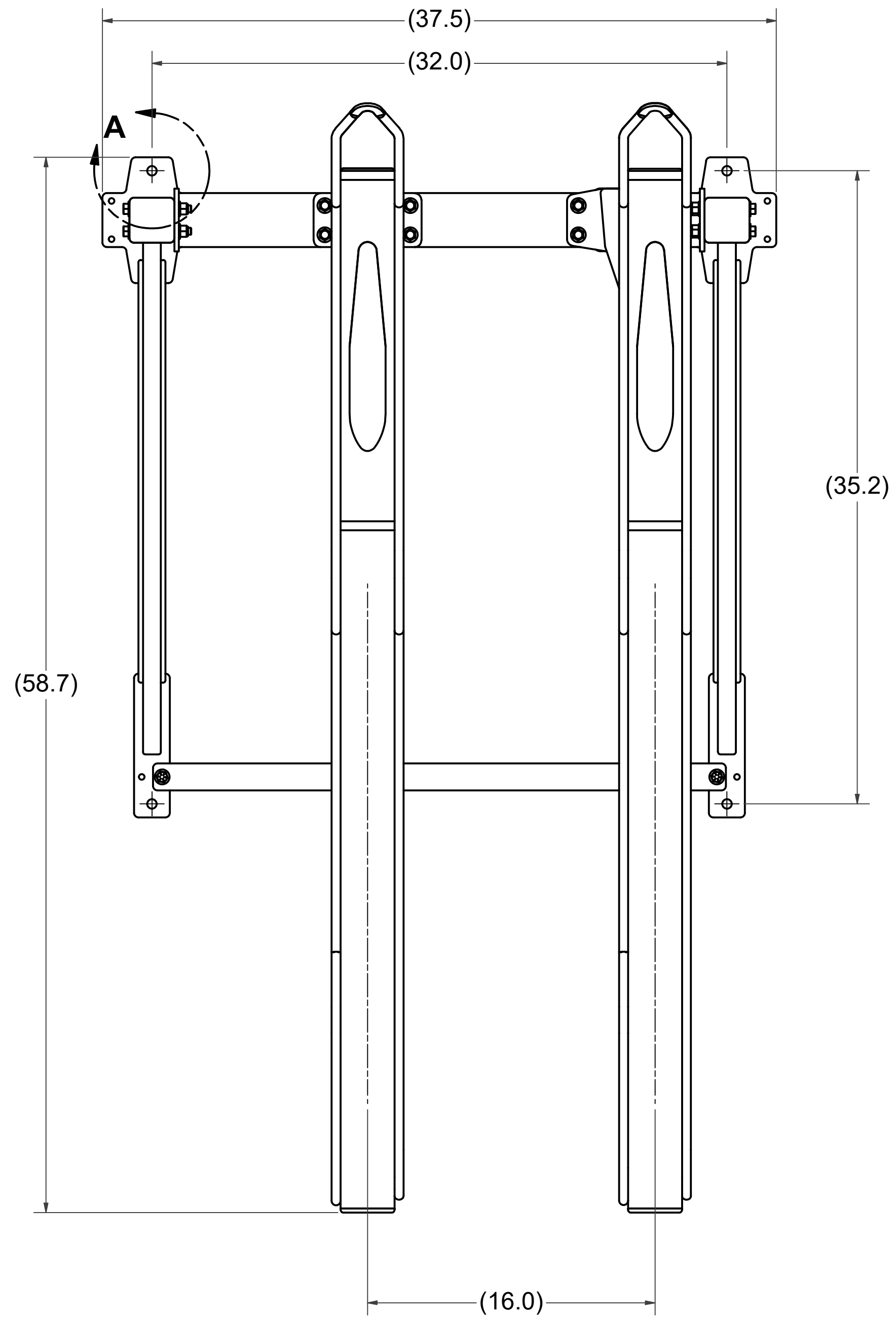
TITLE
Terrace, 16" Spacing, Base, Single Sided, 4 Bike, Finished

DWG NO. TR-16B-SS-4-MS(-0000)-001 | REV A

PROPRIETARY: THIS IS PROPRIETARY INFORMATION AND IS NOT TO BE REFERENCED OR DISTRIBUTED WITHOUT PRIOR WRITTEN AUTHORIZATION OF SPORTWORKS GLOBAL LLC

SIZE C2B | NO DRAWING SCALE | SHEET 1 OF 3

REV	DESCRIPTION	DATE	BY	CHK
A	INITIAL RELEASE	4/1/2022	DEK	DAP



DETAIL "A"

Sportworks Global LLC

15540 Woodinville-Redmond Rd. NE, Bldg A-200
 Woodinville, WA 98072, PH: 425-483-7000, FX: 425-488-9001

PROPRIETARY: THIS IS PROPRIETARY INFORMATION AND IS NOT TO BE REFERENCED OR DISTRIBUTED WITHOUT PRIOR WRITTEN AUTHORIZATION OF SPORTWORKS GLOBAL LLC

TITLE

Terrace, 16" Spacing, Base, Single Sided, 4 Bike, Finished

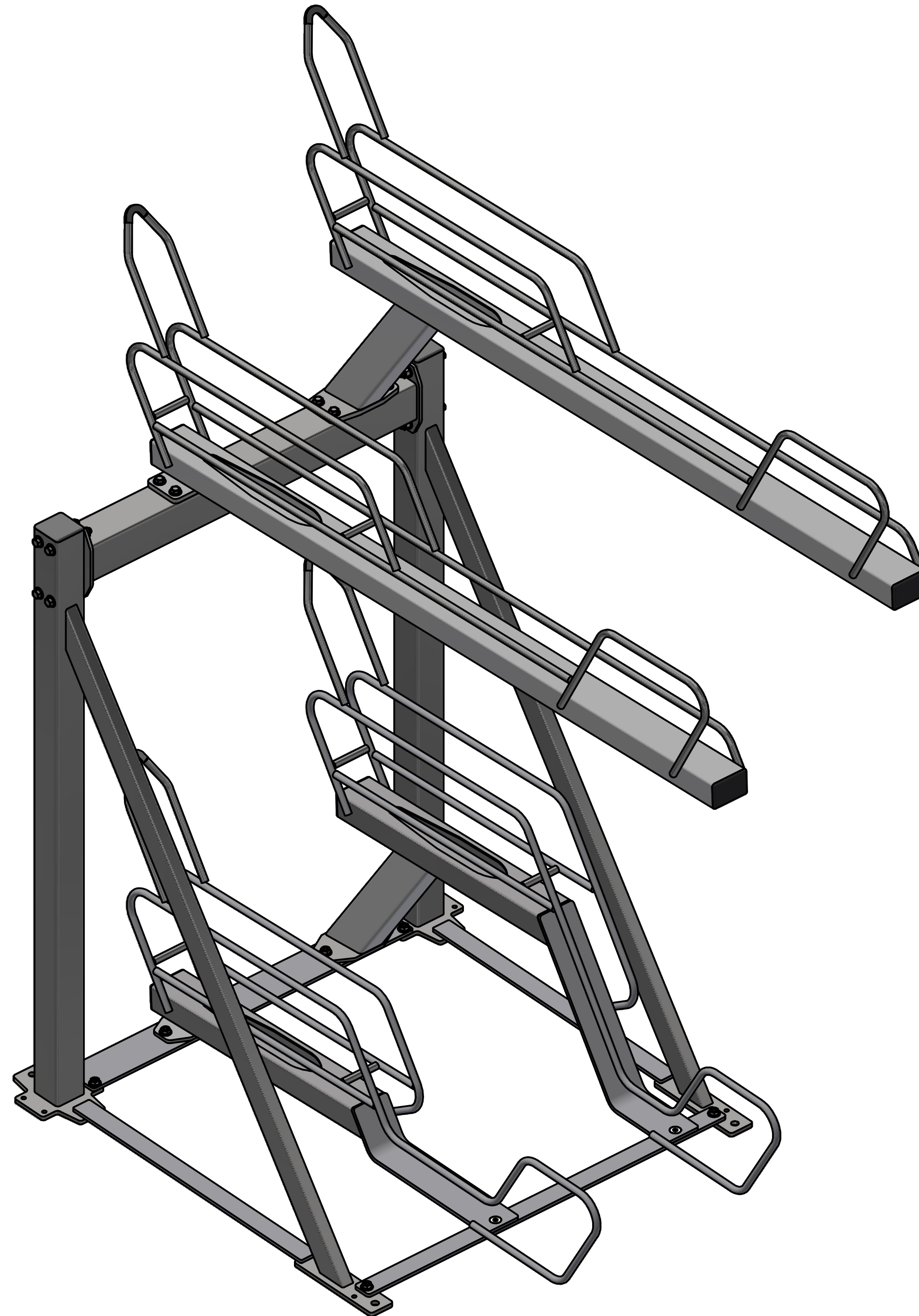
DWG NO.

TR-16B-SS-4-MS(-0000)-001

REV

A

SIZE C2B | NO DRAWING SCALE | SHEET 2 OF 3



Sportworks Global LLC

15540 Woodinville-Redmond Rd. NE, Bldg A-200
Woodinville, WA 98072, PH: 425-483-7000, FX: 425-488-9001

PROPRIETARY: THIS IS PROPRIETARY INFORMATION AND IS NOT TO
BE REFERENCED OR DISTRIBUTED WITHOUT PRIOR WRITTEN
AUTHORIZATION OF SPORTWORKS GLOBAL LLC

TITLE

Terrace, 16" Spacing, Base, Single Sided, 4 Bike, Finished

DWG NO.

TR-16B-SS-4-MS(-0000)-001 *REV* **A**

SIZE C2B | *NO DRAWING SCALE* | *SHEET* 3 *OF* 3