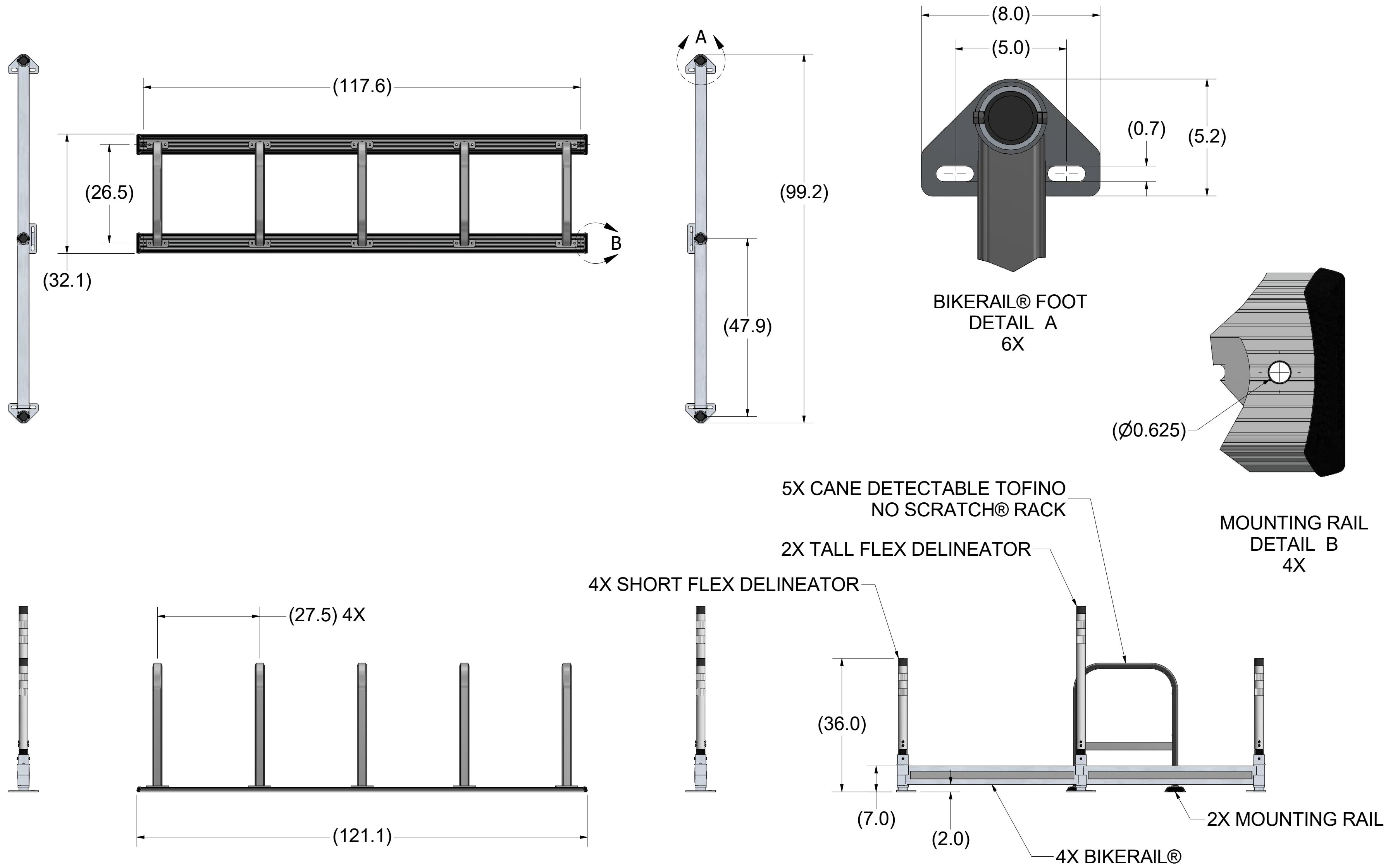


PRODUCT WEIGHT: 222.1 LB (RACKS AND MOUNTING RAILS); 194.4 LB (BIKERAILS, RAILRIBBONS & FLEX DELINEATORS)



PRODUCT WEIGHT: 222.1 LB (RACKS AND MOUNTING RAILS); 189.6 LB (BIKERAILS & FLEX DELINEATORS)