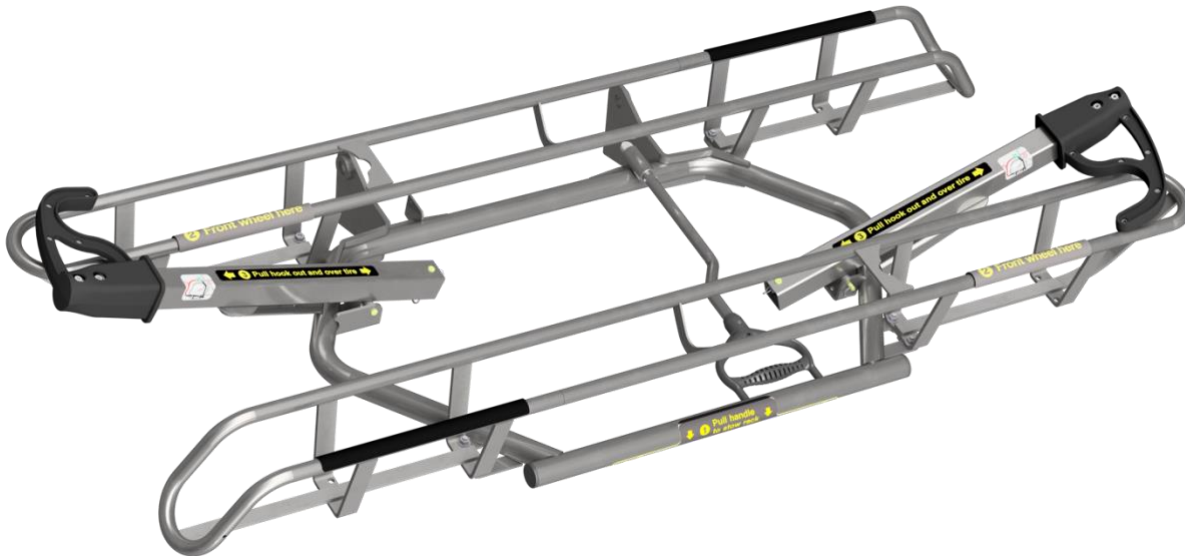


# Technical Specifications

## Apex 2™ 2-Position Bicycle Rack



### Features and Benefits

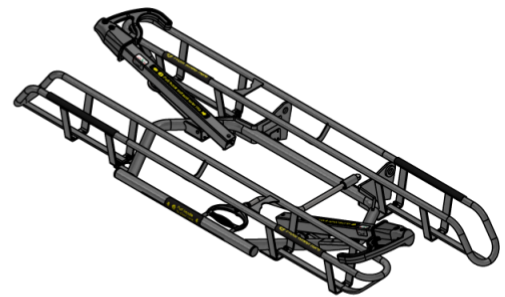
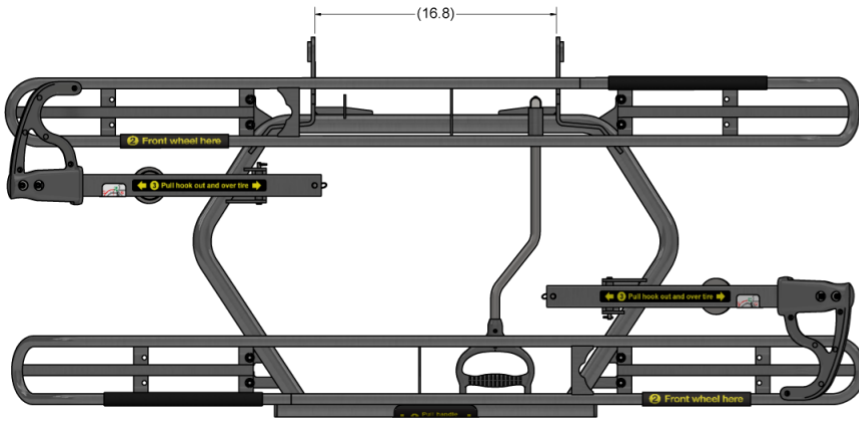
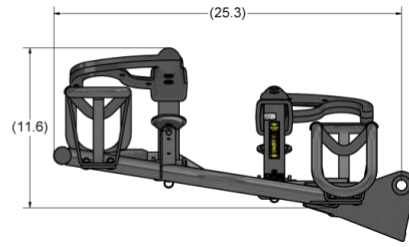
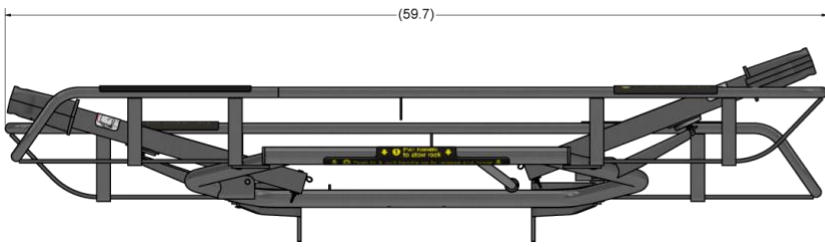
- Apex 2 accommodates a wider range of bicycles with any combination of trays (standard or fat-tire trays).
- Modular construction provides full flexibility for multiple configurations, easy field upgrades, and cost-effective part replacement.
- Rugged stainless-steel construction provides maximum corrosion resistance with an anti-glare finish for long-lasting performance in harsh transit applications.
- Self-stowing and easy to use with ergonomic handles that minimize binding and lower the lift weight.
- Wheel trays and support arms are designed for easy securement while reducing bounce and lateral movement.
- Supports safe vehicle operation with a smaller footprint for better vehicle turn radius, headlight, and turn signal visibility.
- Compatible with existing Sportworks mounting brackets.
- A variety of options to customize and enhance operation:  
 Custom colors (special order) · Standard or fat tire trays  
 Deployment sensor · Bicycle counter sensor  
 Bilingual decals · Right-hand drive · Advertising panel  
 Ten Second Bracket™ · Quick release pivot hardware  
 Auxiliary headlight mounting kit · Deployment wand  
 Electric trolley isolator kit · Additional torsion spring kit

### Specifications

General	
Bicycle Capacity	Two (2)
Material	Stainless steel, w/ anti-glare finish or powder coat (custom order option)
Bracket	Standard Apex pivot plate or optional Apex Ten Second Bracket™
Trays	Each position supports standard or fat tire trays in any combination (up to 2)
Weight, Dimensions, and Load	
Rack (LxWxD)*	25.3" x 59.7" x 11.6" (Standard) 26.0" x 66.9" x 12.0" (Fat tire trays and support arms)
Product Weight	44 lbs. (Standard) 46 lbs. (Fat tire trays and support arms)
Stowing Weight	22.5 lbs. (Standard) 24 lbs. (Fat tire trays and support arms)
Maximum Load	100 lbs.
Bicycle Compatibility	
Max. Wheelbase	48"
Max. Tire Width	3.2" (Standard) 5.5" (Fat tire trays and support arms)
Wheel Size	16" to 29" (inc. 700c) (Standard) 24" to 29" (inc. 700c) (Fat tire trays and support arms)
Max. Bike Weight	55 lbs.
Part Numbers	
Rack	101082 (Standard) 101082-FAT (Fat tire trays and support arms)

# Technical Specifications

Drawings and Dimensions, Apex 2™: Part Number 101082 (Standard)



Drawings and Dimensions, Apex 2™: Part Number 101082-FAT (Fat tire trays and support arms)

