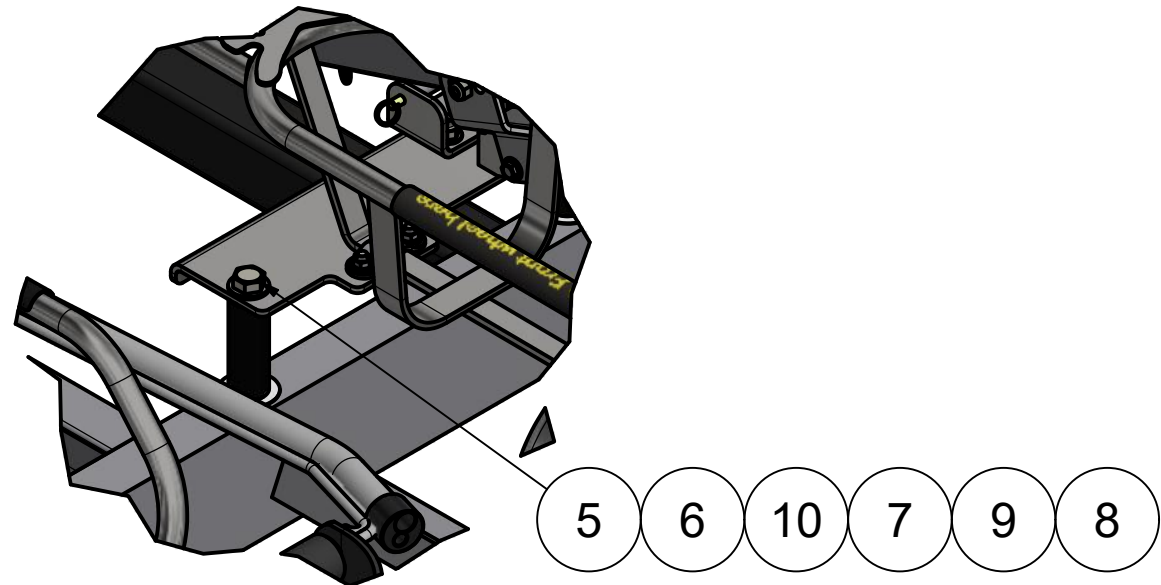
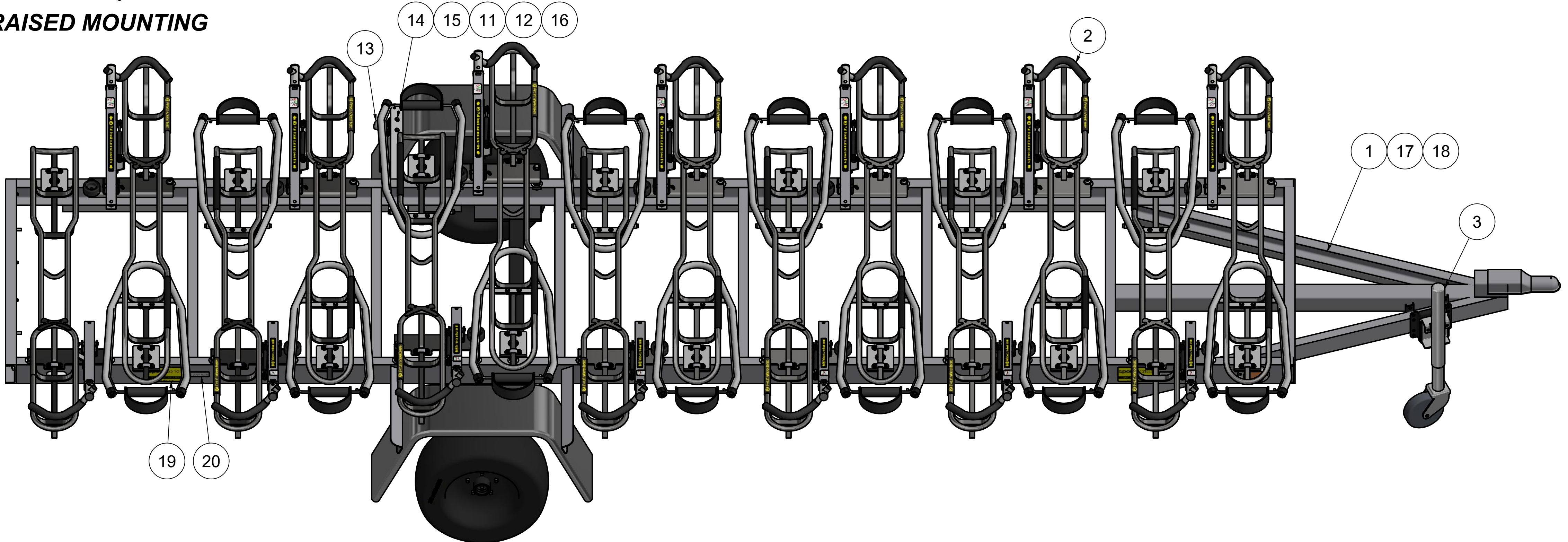


FLUSH MOUNTING



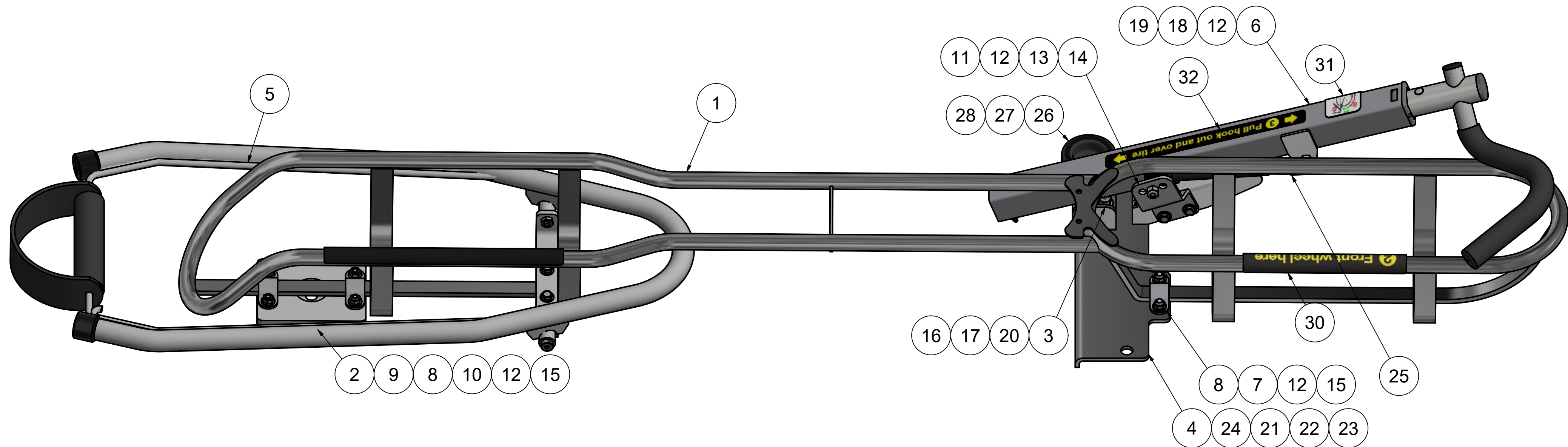
RAISED MOUNTING

PARTS LIST				PARTS LIST			
ITEM	QTY	PART NO	TITLE	ITEM	QTY	PART NO	TITLE
11	1	3672	Trailer, License Plate Bracket	1	1	2462-BLK001	Frame, Bike Trailer, 14 Bike, Black
12	1	3673	Trailer, License Plate Bracket	2	14	2463	Apex Fat Tray Sub for Trailers
13	1	3674	Trailer, License Plate Lamp	3	1	3687	Trailer Jack, Fulton XP10
14	4	9009	HHCS, 1/4-20 x 1, 18-8 Stainless, Import	4	36	7820	BHCS, 1/2-13 x 1.5, Stainless
15	8	7012	WASHER, FLAT, 1/4 SS	5	6	9455	HHCS, 1/2-13 x 4.5, 18-8 Stainless, Import
16	4	7009	NUT, HEX, 1/4-20, Nylock, Stainless, Import	6	42	7023	WASHER, FLAT, 1/2, SAE, Steel, Zinc II
17	1	7917	Reflector Kit; Bike Trailer	7	42	7910	WASHER, FLAT, .53 ID x 1.5 OD x .020 thk, PTFE, Domestic
18	1	4081	Trailer Wire Harness	8	42	7821	Washer, Square Beveled Structural 1/2 Galvanized
19	5	8615	LABEL, Sportworks, QLBR, w/Web Address	9	42	7022	NUT, HEX, LOCK, 1/2-13, Gr C Steel, All Metal 3 way, Zinc II, Import
20	4	9682	LABEL, Vehicle Racks Patent Decal w/Mfr. Info	10	6	2464-BLK	SPACER, 1.063 X 0.562 X 3 LG, STEEL, BLACK
21	1	2472	MANUAL, Bike Trailer, Fat Tray				



Sportworks Northwest, Inc. 15540 Woodinville-Redmond Rd. NE, Bldg A-200 Woodinville, WA 98072, PH: 425-483-7000, FX: 425-488-9001 <small>PROPRIETARY: THIS IS PROPRIETARY INFORMATION AND IS NOT TO BE REFERENCED OR DISTRIBUTED WITHOUT PRIOR WRITTEN AUTHORIZATION OF SPORTWORKS NORTHWEST, INC.</small>	TITLE	Bike Trailer, 14 Bike, Fat Trays
	DWG NO.	100608-FAT Parts and Options Breakdown.idw
	SIZE	C2B NO DRAWING SCALE SHEET 1 OF 4
	REV	A

PARTS LIST				PARTS LIST				PARTS LIST			
ITEM	QTY	PART NO	TITLE	ITEM	QTY	PART NO	TITLE	ITEM	QTY	PART NO	TITLE
21	1	7452	BUMPER, RUBBER, 1 dia. w/ washer, EPDM, 70 durometer, Domestic	11	2	7009	NUT, HEX, 1/4-20, Nylock, Stainless, Import	1	1	6734-PEN	Fat Bike Tray Weldment, Bead Blasted
22	1	7159	WASHER, FLAT, #10, SAE, Stainless, Import	12	10	7012	WASHER, FLAT, 1/4 SS	2	1	2364-PEN	Trailer, Apex Rear Tray Mount Bracket, Bead Blast
23	1	9473	BHCS, 10-32 x 1, Stainless, Import	13	2	9717	HHCS, 1/4-20 x .75, Stainless, Import	3	1	2358-PEN	Trailer, Apex Support Arm Bracket, Bead Blast
24	1	7010	NUT, HEX, 10-32, Nylock, Stainless, Import	14	1	2447	Gas Spring Mount, Trailer Fat Tire Kit	4	1	2362-PEN	Trailer, Apex Front Tray Mount Bead Blast
25	1	7916	Spring Kit; Rear Arm; Bike Trailer	15	6	9893	NUT, LOCK, CENTER (reversible), Deformed thread, 1/4-20, 18-8 Stainless	5	1	2445	Rear Arm Assembly, Trailer Fat Tray
26	1	2423	Rubber Bumper, 2.0 OD x 1.0 Height, .375 Fastener	16	2	7884	NUT, HEX, 5/16-18, NYLOCK, Stainless, Import	6	1	2438	Support Arm Assembly, Trailer Fat Tray, LH SIDE OF TRAY
27	1	8997	WASHER, FLAT, D-shape, 3/8, Steel, Zinc II, Domestic	17	2	7819	WASHER, FLAT, 5/16, SAE, Stainless, Import	7	2	6378	BOLT, CARRIAGE, 1/4-20 x .750, Stainless, Import
28	1	7011	NUT, NYLOCK 3/8-16 NYLOCK, SS	18	1	7302	RING, SPLIT, .670 O.D. X .051 WIRE DIA, SS	8	3	4488	Strap, Apex Tray Mount
29	1	7109	LABEL, RACK CHAIN GUARD	19	1	5348	PIN, Clevis, .25 x 2.793 (2-39/64" useable length), Alloy Steel, GR8, Yellow Zinc	9	1	2363	Trailer, Apex Rear Tray Mount Spacer
30	1	9810	LABEL No. 2, Front Wheel Here (English only)	20	2	8532	BOLT, CARRIAGE, 5/16-18 x 1, Stainless, Import	10	4	2365	BOLT, CARRIAGE, 1/4-20 x 1.0, Stainless, Import
31	1	3537	LABEL, MMT Support Arm Placement								
32	1	9811	LABEL No. 3, PULL HOOK UP								

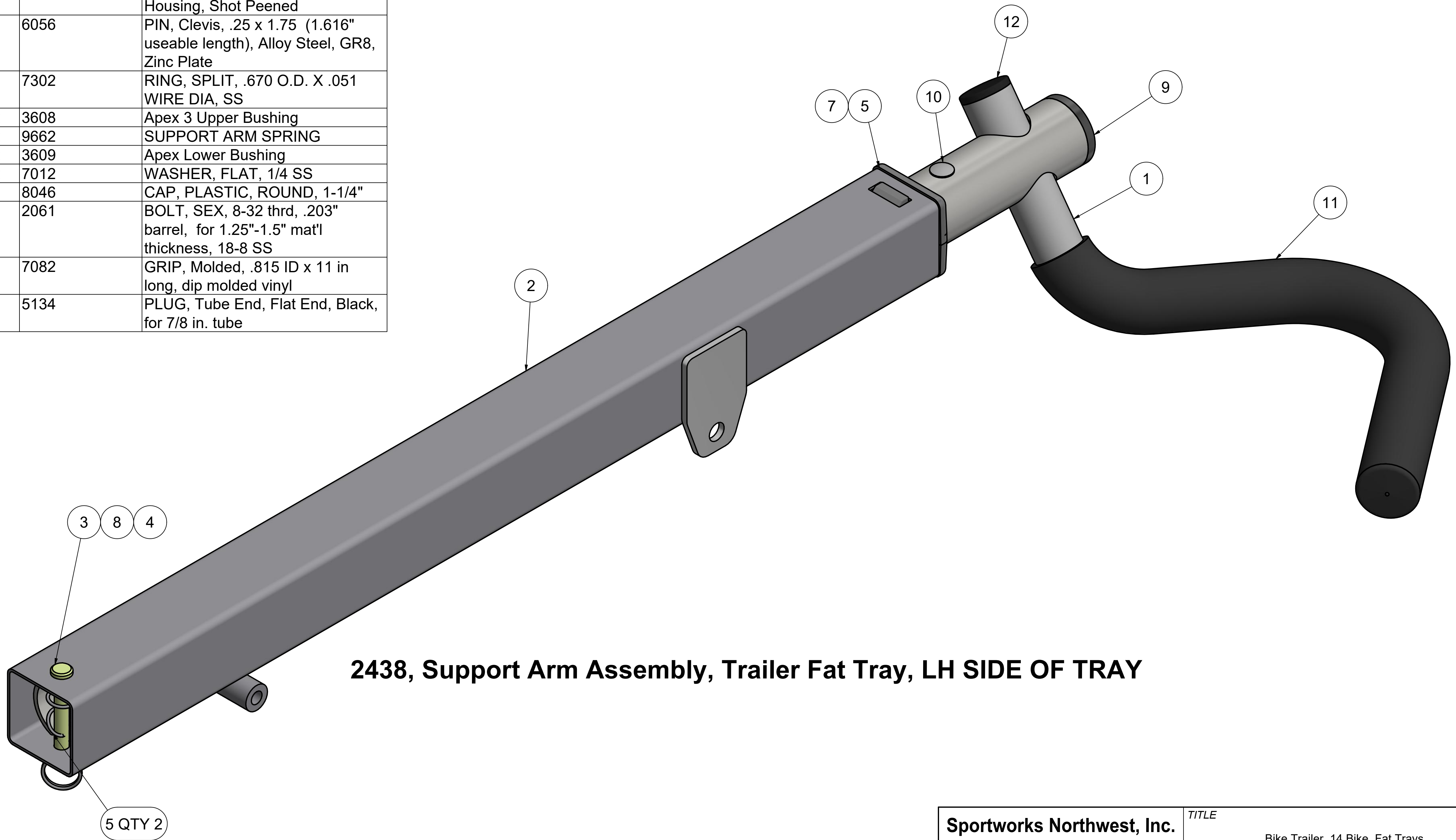


2463, Apex Fat Tray Sub for Trailers

Sportworks Northwest, Inc. 15540 Woodinville-Redmond Rd. NE, Bldg A-200 Woodinville, WA 98072, PH: 425-483-7000, FX: 425-488-9001	TITLE	Bike Trailer, 14 Bike, Fat Trays
	DWG NO.	100608-FAT Parts and Options Breakdown.idw
<small>PROPRIETARY: THIS IS PROPRIETARY INFORMATION AND IS NOT TO BE REFERENCED OR DISTRIBUTED WITHOUT PRIOR WRITTEN AUTHORIZATION OF SPORTWORKS NORTHWEST, INC.</small>	REV	A
SIZE C2B	NO DRAWING SCALE	SHEET 2 OF 4

PARTS LIST

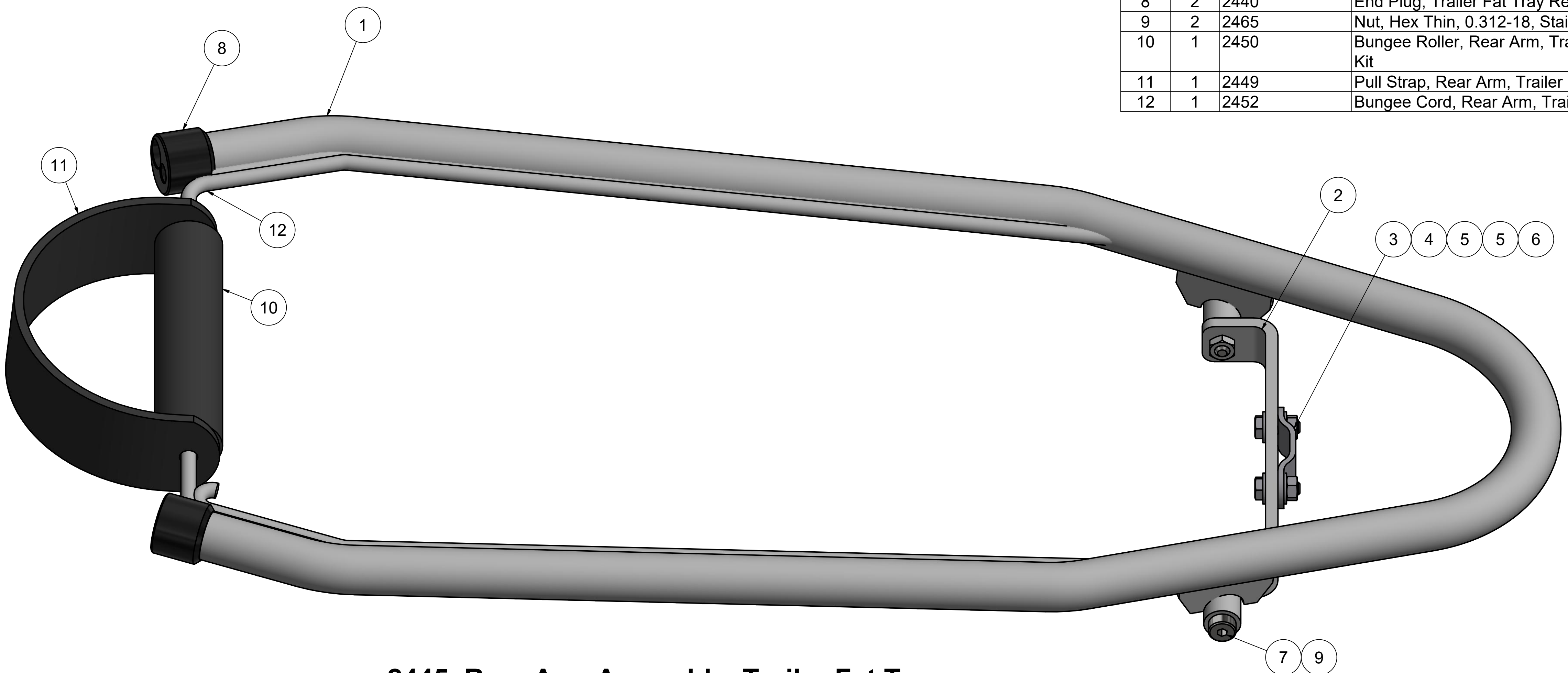
ITEM	QTY	PART NO	TITLE
1	1	2456-PEN	Fat Tire Support Arm Weldment, LH, Blasted
2	1	2436-PEN	Weldment, Apex Support Arm Housing, Shot Peened
3	1	6056	PIN, Clevis, .25 x 1.75 (1.616" useable length), Alloy Steel, GR8, Zinc Plate
4	1	7302	RING, SPLIT, .670 O.D. X .051 WIRE DIA, SS
5	2	3608	Apex 3 Upper Bushing
6	2	9662	SUPPORT ARM SPRING
7	2	3609	Apex Lower Bushing
8	2	7012	WASHER, FLAT, 1/4 SS
9	1	8046	CAP, PLASTIC, ROUND, 1-1/4"
10	1	2061	BOLT, SEX, 8-32 thrd, .203" barrel, for 1.25"-1.5" mat'l thickness, 18-8 SS
11	1	7082	GRIP, Molded, .815 ID x 11 in long, dip molded vinyl
12	1	5134	PLUG, Tube End, Flat End, Black, for 7/8 in. tube



2438, Support Arm Assembly, Trailer Fat Tray, LH SIDE OF TRAY

Sportworks Northwest, Inc. 15540 Woodinville-Redmond Rd. NE, Bldg A-200 Woodinville, WA 98072, PH: 425-483-7000, FX: 425-488-9001	TITLE Bike Trailer, 14 Bike, Fat Trays	
	DWG NO. 100608-FAT Parts and Options Breakdown.idw	REV A
PROPRIETARY: THIS IS PROPRIETARY INFORMATION AND IS NOT TO BE REFERENCED OR DISTRIBUTED WITHOUT PRIOR WRITTEN AUTHORIZATION OF SPORTWORKS NORTHWEST, INC.		
SIZE C2B	NO DRAWING SCALE	SHEET 3 OF 4

			PARTS LIST	
ITEM	QTY	PART NO	TITLE	
1	1	2444-PEN	Rear Arm Weldment, Trailer Fat Tray, Bead Blast	
2	1	2443-PEN	Mount Bracket, Trailer Fat Tray Rear Loop Assembly, Bead Blast	
3	1	4488	Strap, Apex Tray Mount	
4	2	9717	HHCS, 1/4-20 x .75, Stainless, Import	
5	4	7012	WASHER, FLAT, 1/4 SS	
6	2	9893	NUT, LOCK, CENTER (reversible), Deformed thread, 1/4-20, 18-8 Stainless	
7	2	2446	SCREW, SHOULDER, .375 dia x .1.0 long, 5/16-18 x .5 in thread, 18-8 SS, Domestic	
8	2	2440	End Plug, Trailer Fat Tray Rear Arm	
9	2	2465	Nut, Hex Thin, 0.312-18, Stainless	
10	1	2450	Bungee Roller, Rear Arm, Trailer Fat Tire Kit	
11	1	2449	Pull Strap, Rear Arm, Trailer Fat Tire Kit	
12	1	2452	Bungee Cord, Rear Arm, Trailer Fat Tire Kit	



2445, Rear Arm Assembly, Trailer Fat Tray

Sportworks Northwest, Inc. 15540 Woodinville-Redmond Rd. NE, Bldg A-200 Woodinville, WA 98072, PH: 425-483-7000, FX: 425-488-9001	TITLE Bike Trailer, 14 Bike, Fat Trays	
	DWG NO. 100608-FAT Parts and Options Breakdown.idw	REV A
PROPRIETARY: THIS IS PROPRIETARY INFORMATION AND IS NOT TO BE REFERENCED OR DISTRIBUTED WITHOUT PRIOR WRITTEN AUTHORIZATION OF SPORTWORKS NORTHWEST, INC.		
SIZE C2B NO DRAWING SCALE SHEET 4 OF 4		