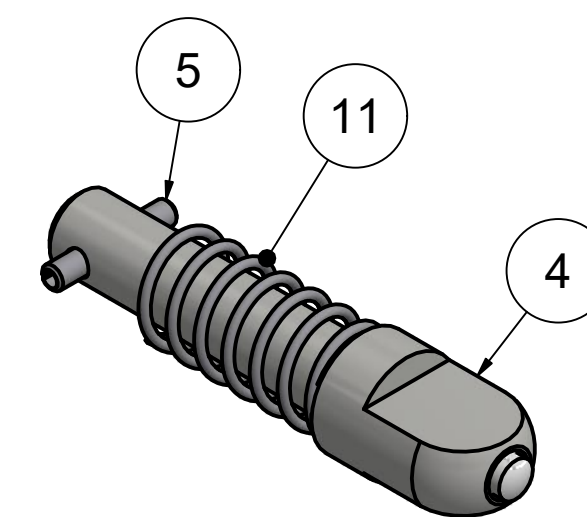


**PARTS LIST - 4-DIGIT P/Ns ARE NOT SET UP FOR SALE. CONTACT SPORTWORKS FOR REPLACEMENT P/Ns**

ITEM	QTY	PART NO	TITLE
1	1	5343-PEN	Weldment, Apex 2 Frame, Stainless, Anti-Glare Finish
2	2	6147-PEN	Apex Saddle Wheel Tray Weldment, Stainless, Bead Blast
3	1	6153	Sub Assy, Apex 2 Latch Handle
4	1	3604	Apex Latch Pin Sub-Assy
5	1	5205	PIN, ROLL, .15625 OD x .875, 18-8 Stainless, Import
6	2	4490	Support Arm Assembly, Apex LH SIDE OF TRAY
7	2	5348	PIN, Clevis, .25 x 2.793 (2-39/64" useable length), Alloy Steel, GR8, Yellow Zinc
8	2	4675	MAGNET, 45LB, Neodymium w/Stainless Steel Cup, 2.375" dia
9	2	7302	RING, SPLIT, .670 O.D. X .051 WIRE DIA, SS
10	2	7010	NUT, HEX, 10-32, Nylock, Stainless, Import
11	1	7068	SPRING, Compression, Latch Pin, Stainless
12	2	8046	CAP, PLASTIC, ROUND, 1-1/4"
13	8	6378	BOLT, CARRIAGE, 1/4-20 x .750, Stainless
14	8	9893	NUT, LOCK, CENTER (reversible), Deformed thread, 1/4-20, 18-8 Stainless
15	8	7012	WASHER, FLAT, 1/4 SS
16	2	7109	LABEL, RACK CHAIN GUARD
17	1	9803	LABEL, # 1, Pull Handle to Stow Rack/ Push In & Pull Handle Up to Release and Lower
18	2	9810	LABEL No. 2, Front Wheel Here (English only)
19	2	9811	LABEL No. 3, PULL HOOK UP
20	2	3537	LABEL, MMT Support Arm Placement



**LATCH PIN DETAIL**

**FINISH OPTIONS**

ITEM	QTY	PART NO	TITLE
1	1	5343-WHT	Weldment, Apex 2 Frame, Stainless, White Powdercoat Finish
2	1	6147-WHT	Apex Saddle Wheel Tray Weldment, Stainless, White
1	1	5343-BLK	Weldment, Apex 2 Frame, Stainless, Black Powdercoat Finish
2	1	6147-BLK	Apex Saddle Wheel Tray Weldment, Stainless, Black

**Sportworks Northwest, Inc.**

15540 Woodinville-Redmond Rd. NE, Bldg A-200  
Woodinville, WA 98072, PH: 425-483-7000, FX: 425-488-9001

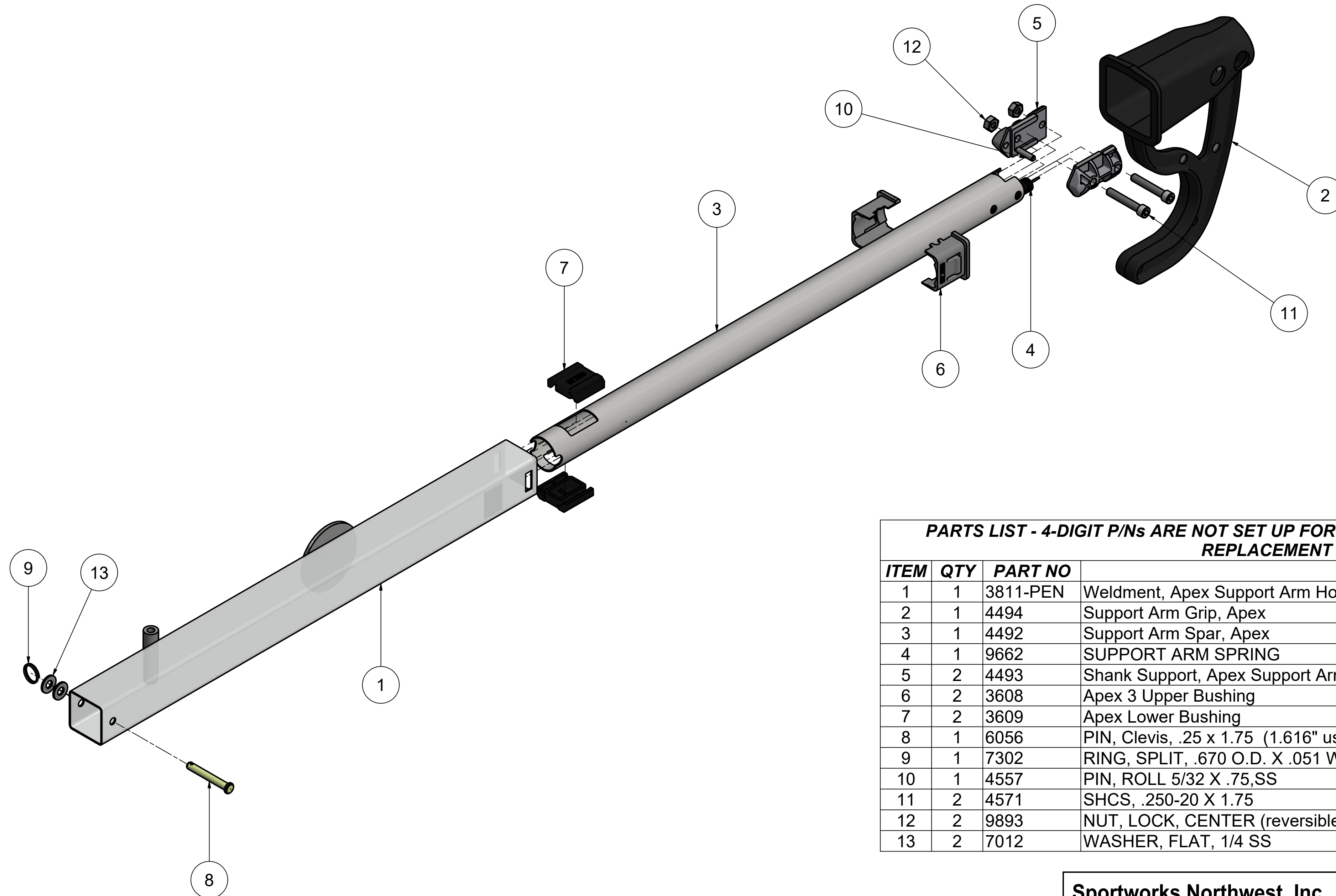
PROPRIETARY: THIS IS PROPRIETARY INFORMATION AND IS NOT TO BE REFERENCED OR DISTRIBUTED WITHOUT PRIOR WRITTEN AUTHORIZATION OF SPORTWORKS NORTHWEST, INC.

TITLE  
Apex 2 Parts and Options Breakdown

DWG NO. **101082** REV **A**

SIZE C2B | NO DRAWING SCALE | SHEET 1 OF 9

# 4490 SUPPORT ARM PARTS



**PARTS LIST - 4-DIGIT P/Ns ARE NOT SET UP FOR SALE. CONTACT SPORTWORKS FOR REPLACEMENT P/Ns**

ITEM	QTY	PART NO	TITLE
1	1	3811-PEN	Weldment, Apex Support Arm Housing, Shot Peened
2	1	4494	Support Arm Grip, Apex
3	1	4492	Support Arm Spar, Apex
4	1	9662	SUPPORT ARM SPRING
5	2	4493	Shank Support, Apex Support Arm Hook
6	2	3608	Apex 3 Upper Bushing
7	2	3609	Apex Lower Bushing
8	1	6056	PIN, Clevis, .25 x 1.75 (1.616" useable length), Alloy Steel, GR8, Zinc Plate
9	1	7302	RING, SPLIT, .670 O.D. X .051 WIRE DIA, SS
10	1	4557	PIN, ROLL 5/32 X .75,SS
11	2	4571	SHCS, .250-20 X 1.75
12	2	9893	NUT, LOCK, CENTER (reversible), Deformed thread, 1/4-20, 18-8 Stainless
13	2	7012	WASHER, FLAT, 1/4 SS

**Sportworks Northwest, Inc.**

15540 Woodinville-Redmond Rd. NE, Bldg A-200  
Woodinville, WA 98072, PH: 425-483-7000, FX: 425-488-9001

PROPRIETARY: THIS IS PROPRIETARY INFORMATION AND IS NOT TO BE REFERENCED OR DISTRIBUTED WITHOUT PRIOR WRITTEN AUTHORIZATION OF SPORTWORKS NORTHWEST, INC.

TITLE

Apex 2 Parts and Options Breakdown

DWG NO.

101082

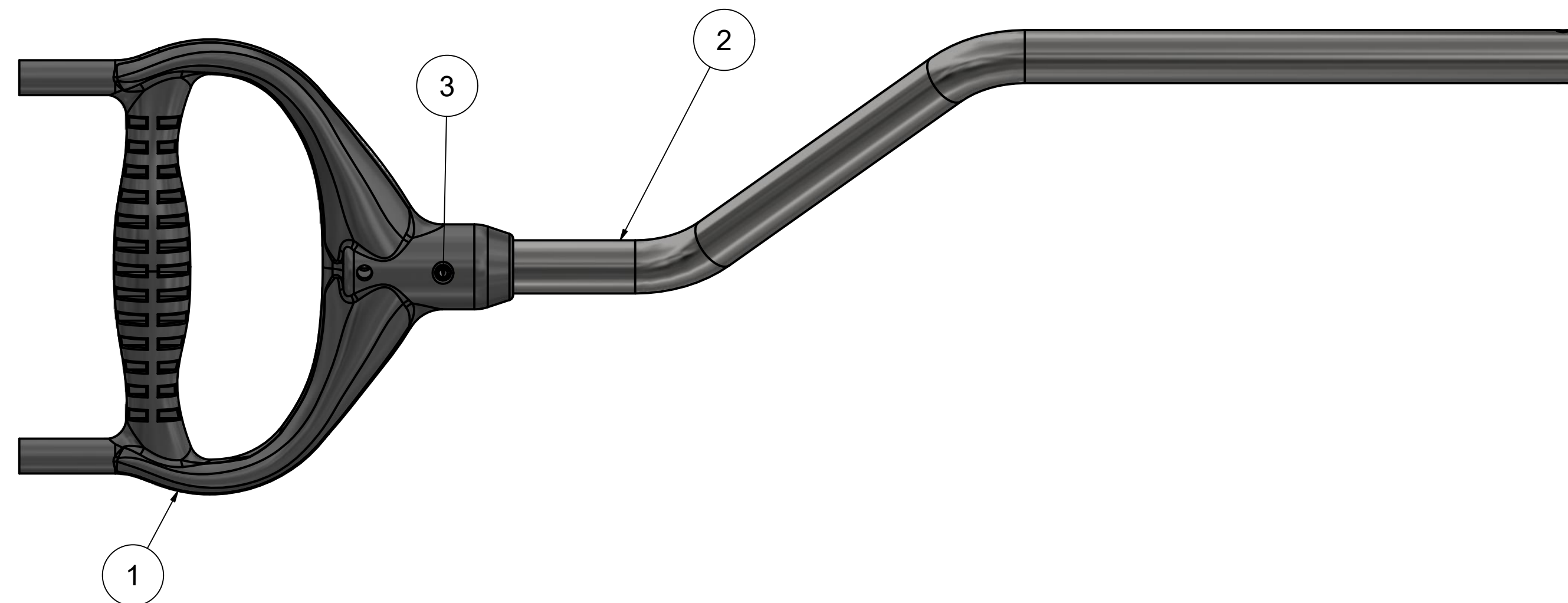
REV

A

SIZE C2B | NO DRAWING SCALE | SHEET 2 OF 9



# 6153 LATCH HANDLE PARTS



**PARTS LIST - 4-DIGIT P/Ns ARE NOT SET UP FOR SALE. CONTACT SPORTWORKS FOR REPLACEMENT P/Ns**

ITEM	QTY	PART NO	TITLE
1	1	5406	Molded Latch Handle - Black
2	1	6154	Tube, Apex 2 Latch Handle
3	1	5235	PIN, ROLL, .1875 x 1, 18-8 Stainless, Import

**Sportworks Northwest, Inc.**

15540 Woodinville-Redmond Rd. NE, Bldg A-200  
Woodinville, WA 98072, PH: 425-483-7000, FX: 425-488-9001

PROPRIETARY: THIS IS PROPRIETARY INFORMATION AND IS NOT TO BE REFERENCED OR DISTRIBUTED WITHOUT PRIOR WRITTEN AUTHORIZATION OF SPORTWORKS NORTHWEST, INC.

TITLE

Apex 2 Parts and Options Breakdown

DWG NO.

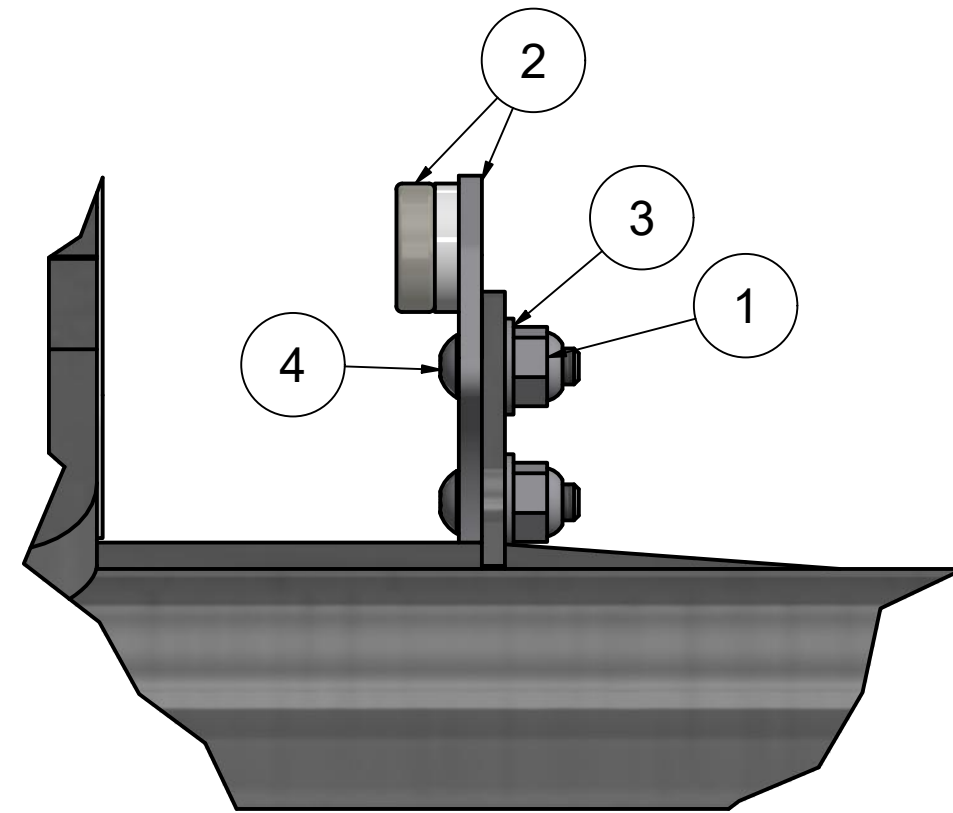
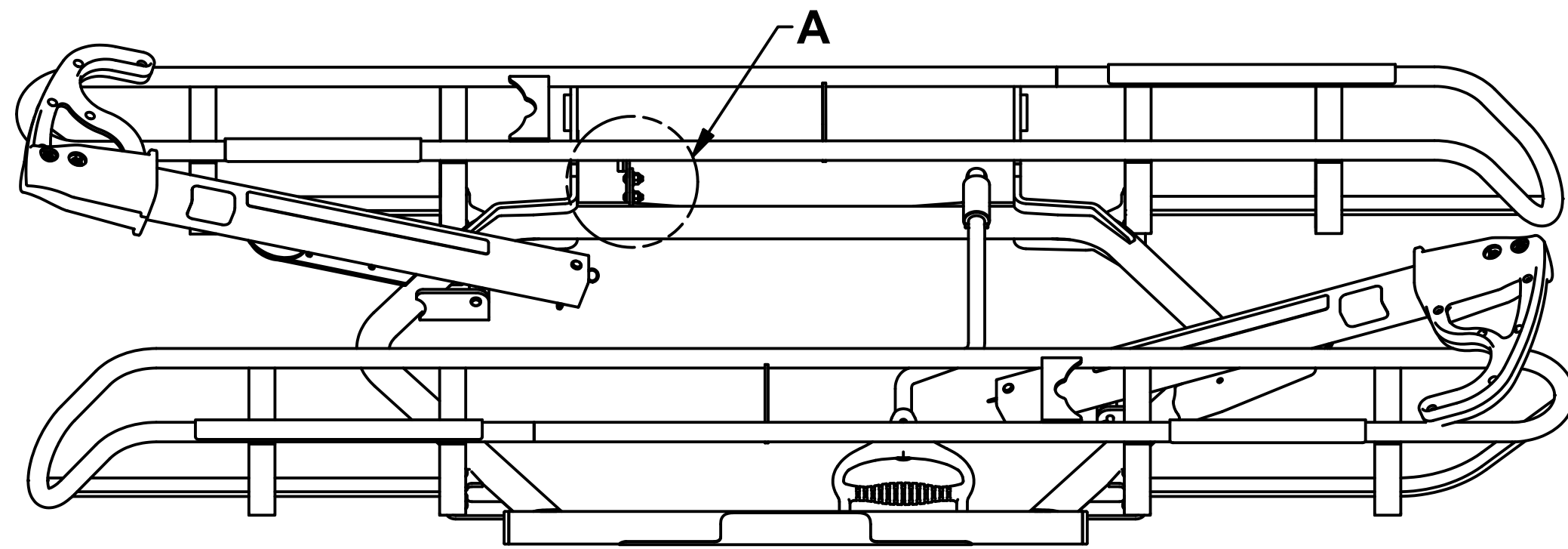
101082

REV

A

SIZE C2B | NO DRAWING SCALE | SHEET 3 OF 9

# DEPLOYMENT KIT PARTS (-DPLY OPTION)



**DETAIL "A"**

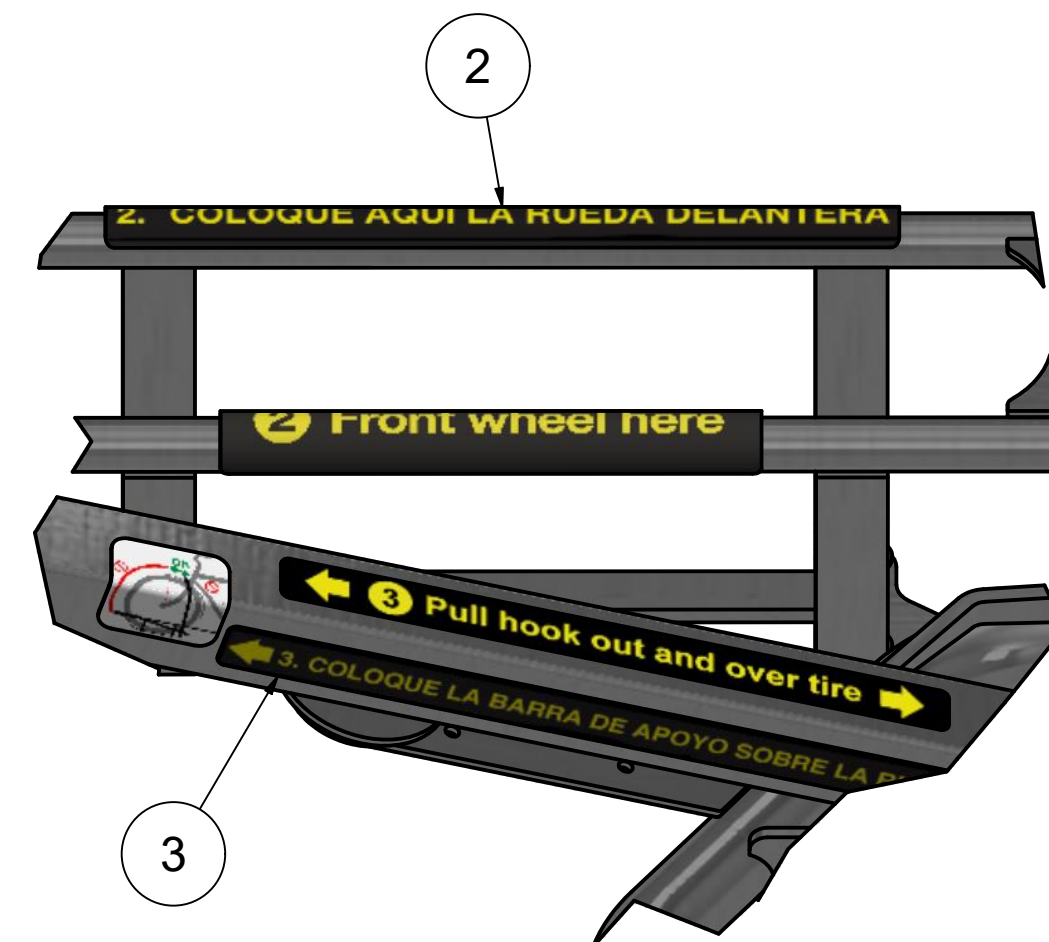
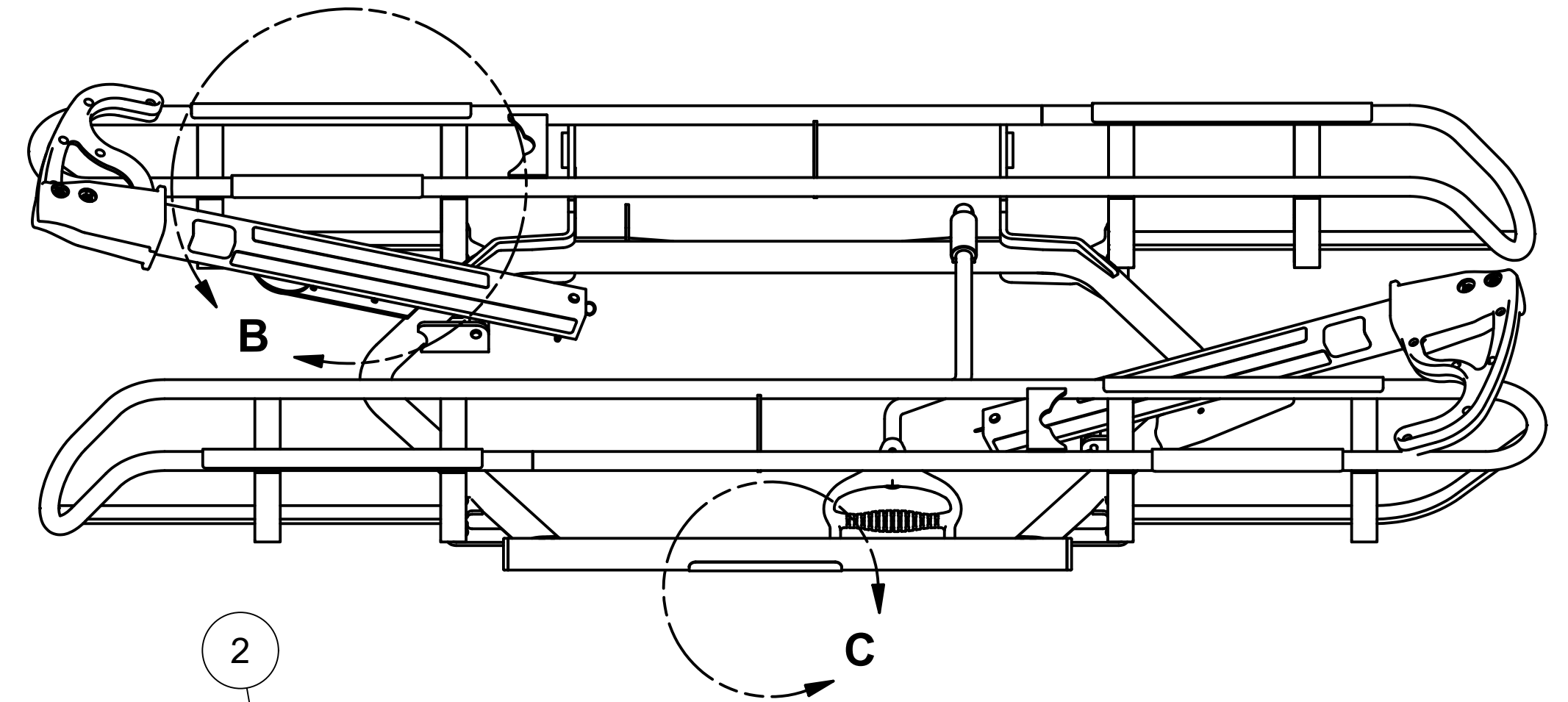
**PARTS LIST - 4-DIGIT P/Ns ARE NOT SET UP FOR SALE. CONTACT SPORTWORKS FOR REPLACEMENT P/Ns**

ITEM	QTY	PART NO	TITLE
1	4	7010	NUT, HEX, 10-32, Nylock, Stainless, Import
2	1	6239	Magnet Subassembly, Apex Deployment Kit
3	2	7159	WASHER, FLAT, #10, SAE, Stainless, Import
4	2	7511	BHCS, 10-32 x .625, Stainless, Import

## NOTES

1. TO COMPLETE THE DEPLOYMENT SENSOR SYSTEM, THE APEX PIVOT PLATE MUST ALSO BE SPECIFIED WITH THE -DPLY OPTION

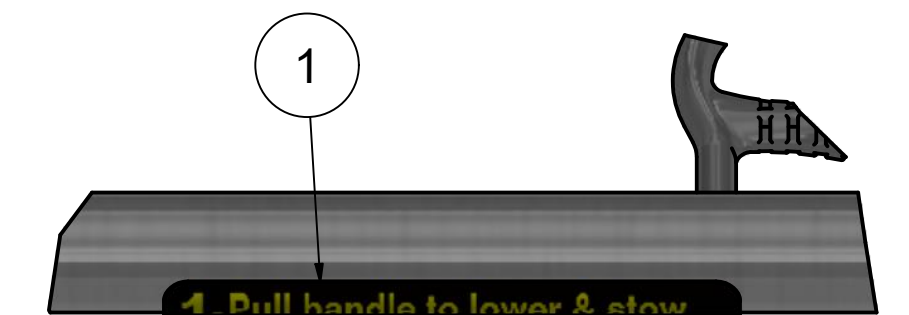
# SPANISH LABEL PARTS (-SPAN OPTION)



**DETAIL "B"**

**PARTS LIST - 4-DIGIT P/Ns ARE NOT SET UP FOR SALE. CONTACT SPORTWORKS FOR REPLACEMENT P/Ns**

ITEM	QTY	PART NO	TITLE
1	1	3019	LABEL, V3, No. 1, Pull handle to lower and stow/ Oprima para abrir y cerrar
2	2	7625	LABEL, 2., COLOQUE AQUI...(Spanish)
3	2	7626	LABEL, 3. COLOQUE LA BARRA...(Spanish)



**DETAIL "C"**

## Sportworks Northwest, Inc.

15540 Woodinville-Redmond Rd. NE, Bldg A-200  
Woodinville, WA 98072, PH: 425-483-7000, FX: 425-488-9001

PROPRIETARY: THIS IS PROPRIETARY INFORMATION AND IS NOT TO BE REFERENCED OR DISTRIBUTED WITHOUT PRIOR WRITTEN AUTHORIZATION OF SPORTWORKS NORTHWEST, INC.

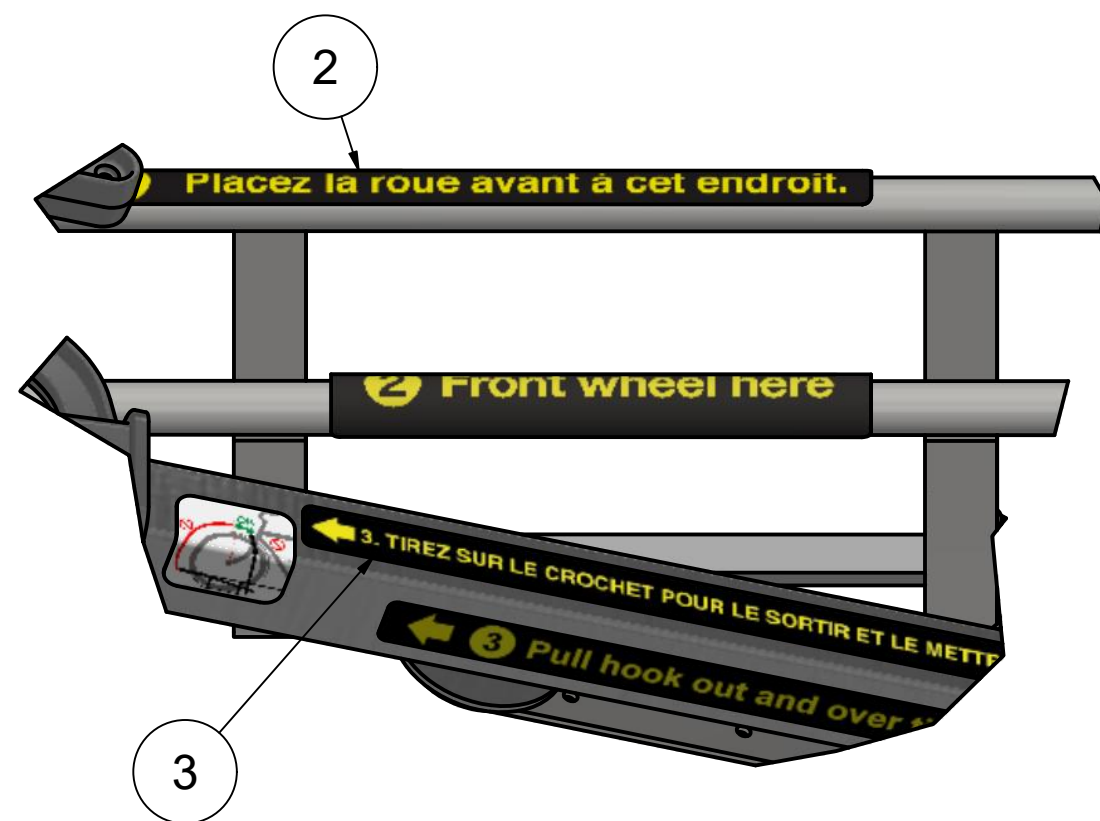
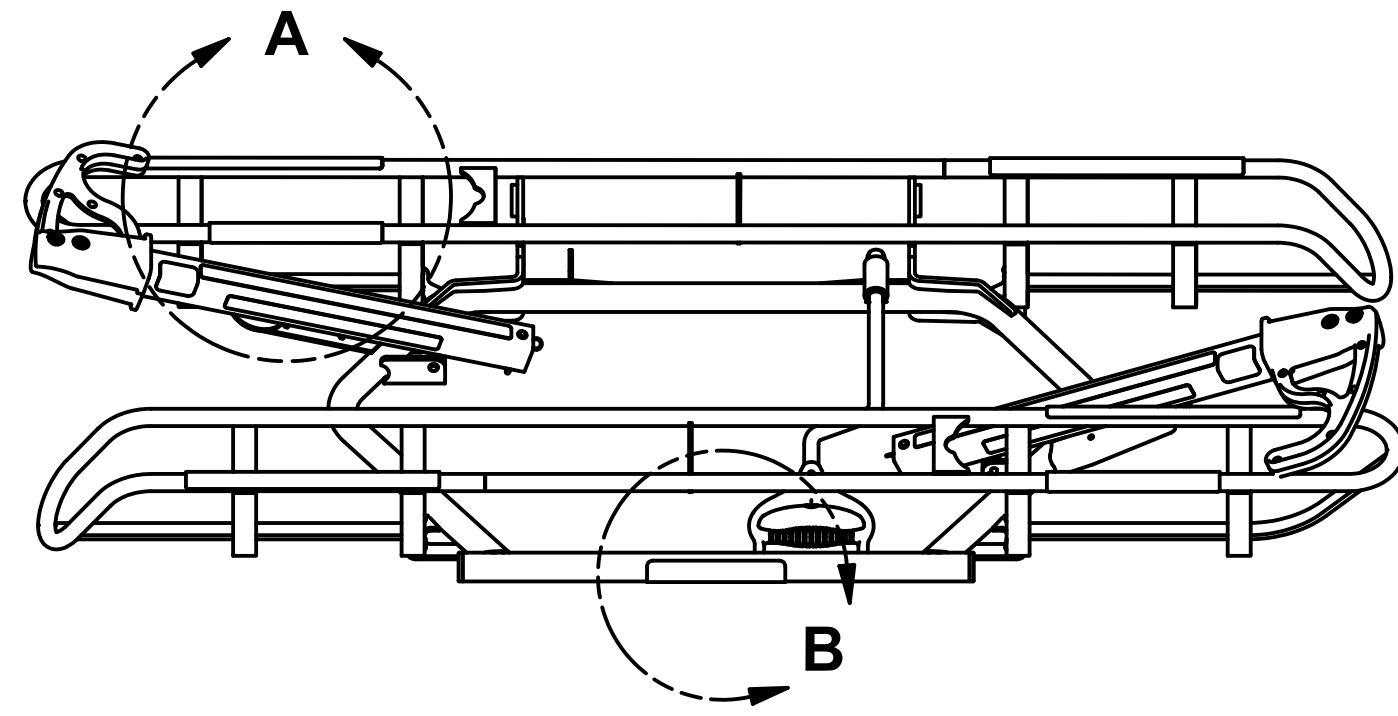
TITLE  
Apex 2 Parts and Options Breakdown

DWG NO.  
101082

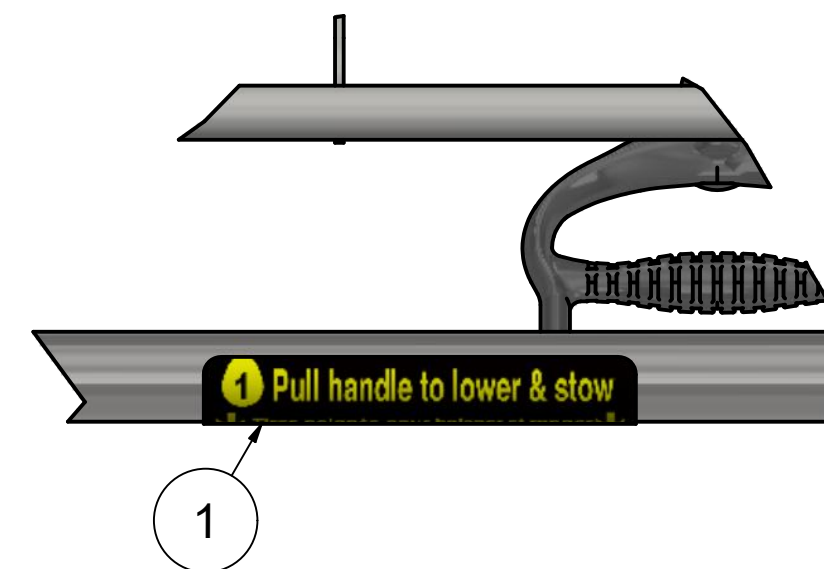
SIZE C2B | NO DRAWING SCALE | SHEET 4 OF 9

REV  
A

# FRENCH LABEL PARTS (-FRNCH OPTION)



**DETAIL "A"**



**DETAIL "B"**

<b>PARTS LIST - 4-DIGIT P/Ns ARE NOT SET UP FOR SALE. CONTACT SPORTWORKS FOR REPLACEMENT P/Ns</b>			
<b>ITEM</b>	<b>QTY</b>	<b>PART NO</b>	<b>TITLE</b>
1	1	3169	LABEL, V2/V3, No. 1, Pull handle to lower and stow/ Tirez poignee pour baisser et ranger
2	2	8890	LABEL, # 2, French, Placez la roue avant a cet endroit
3	2	8891	LABEL, # 3, French, Tirez sur le crochet pour le sortir et le mettre a cote du pneu

**Sportworks Northwest, Inc.**

15540 Woodinville-Redmond Rd. NE, Bldg A-200  
Woodinville, WA 98072, PH: 425-483-7000, FX: 425-488-9001

PROPRIETARY: THIS IS PROPRIETARY INFORMATION AND IS NOT TO BE REFERENCED OR DISTRIBUTED WITHOUT PRIOR WRITTEN AUTHORIZATION OF SPORTWORKS NORTHWEST, INC.

TITLE

Apex 2 Parts and Options Breakdown

DWG NO.

101082

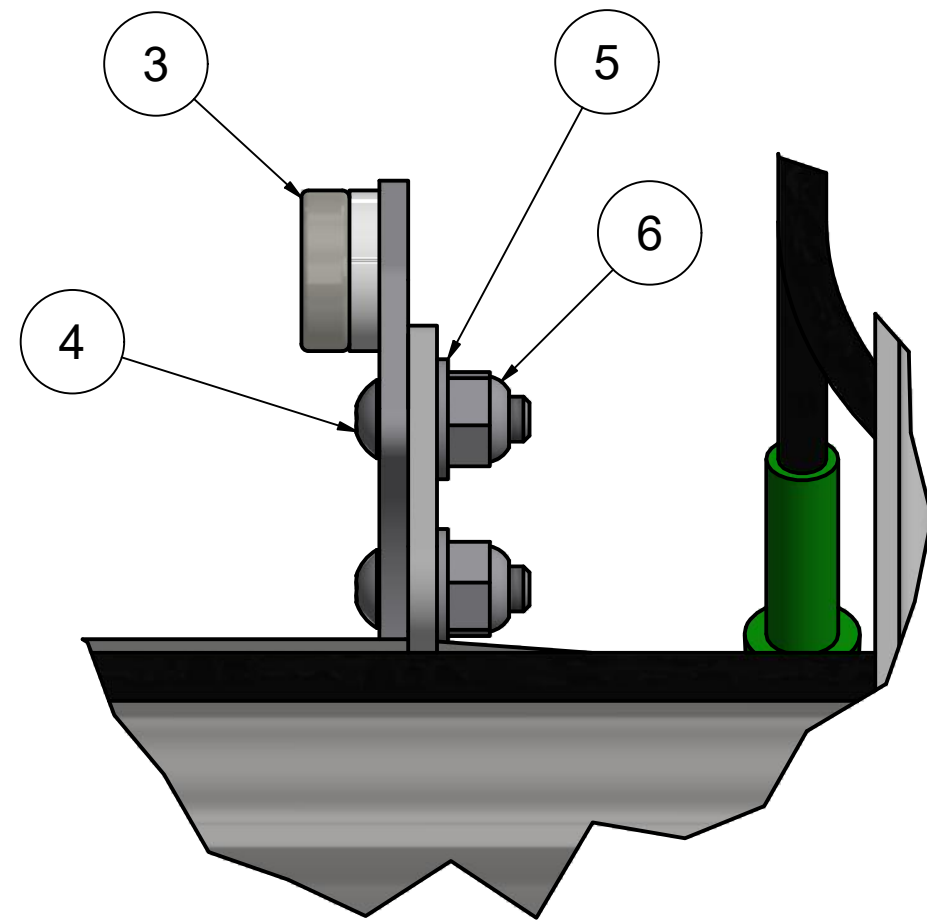
REV

A

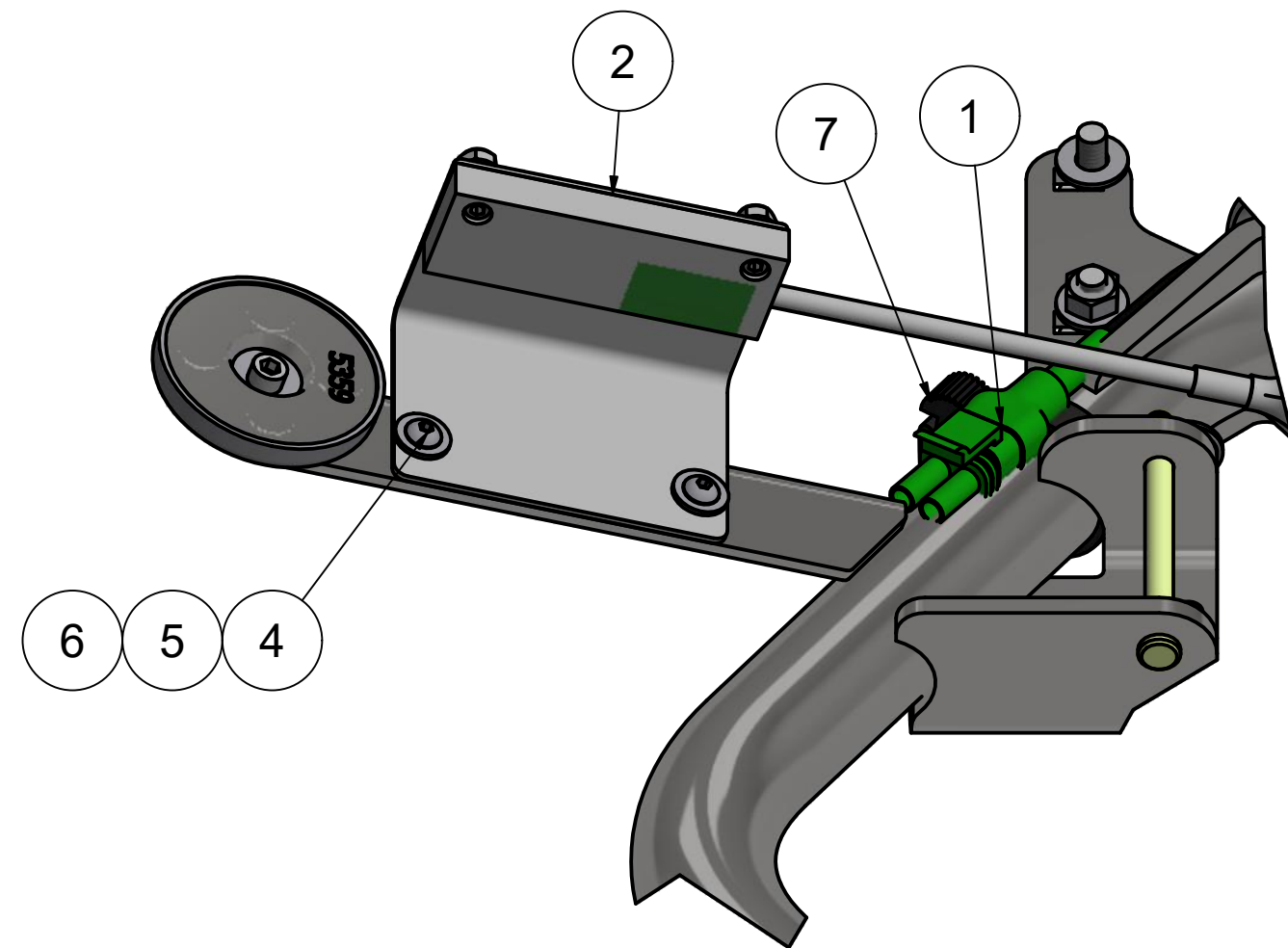
SIZE C2B | NO DRAWING SCALE | SHEET 5 OF 9



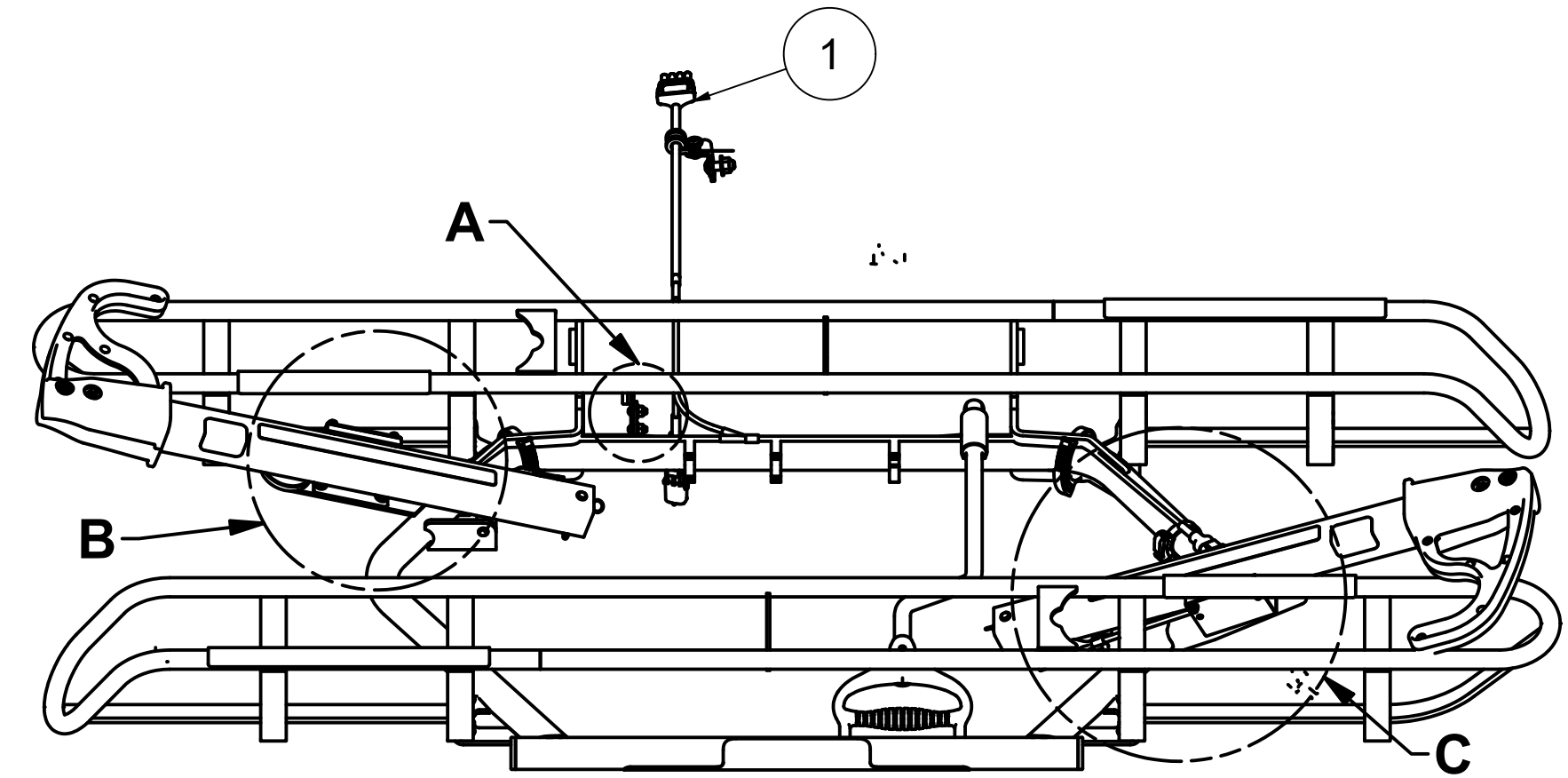
# BIKE COUNTER KIT PARTS (-CNTR OPTION)



**DETAIL "A"**

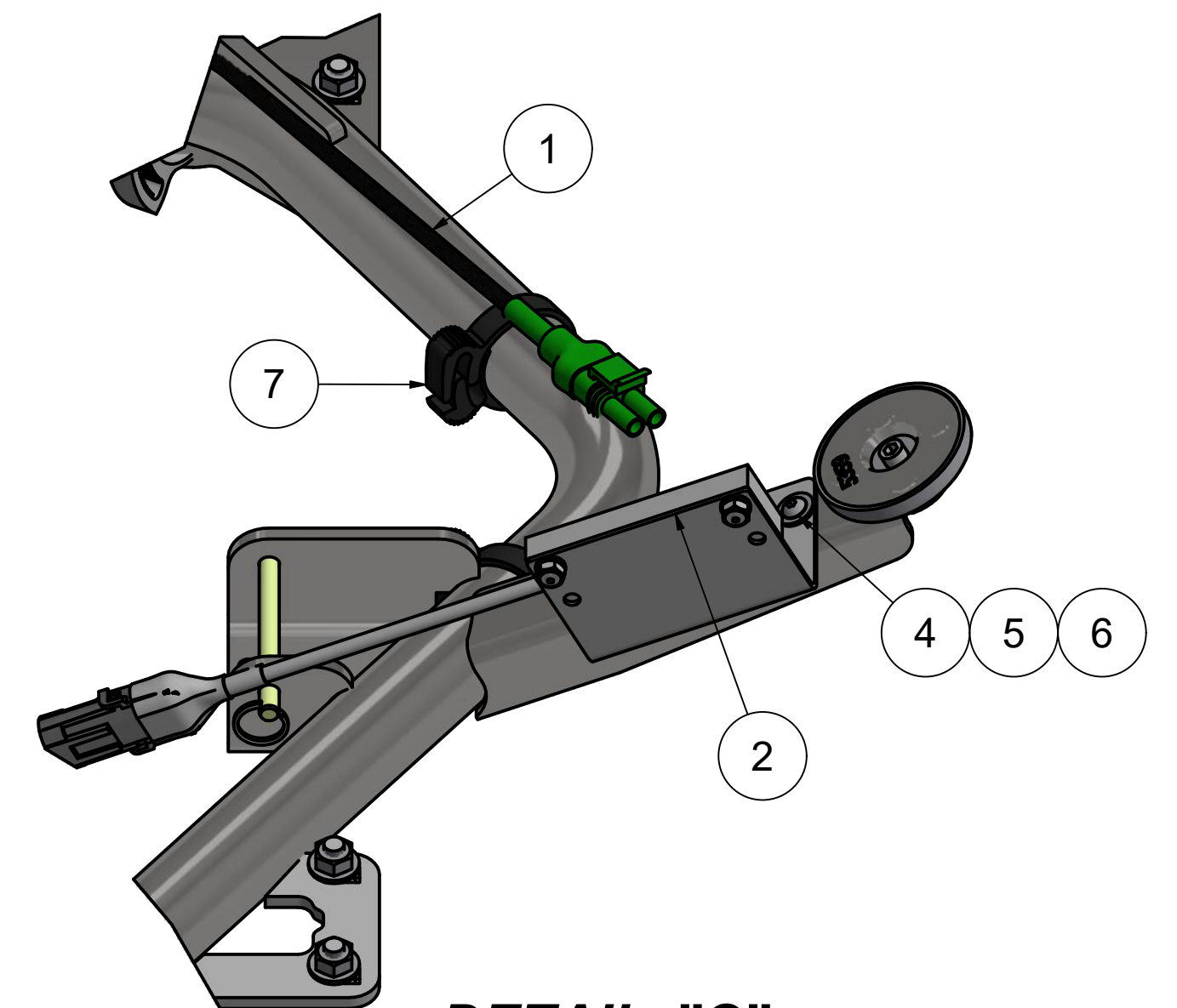


**DETAIL "B"**  
SUPPORT ARM AND WHEEL TRAY  
REMOVED FOR CLARITY



**PARTS LIST - 4-DIGIT P/Ns ARE NOT SET UP FOR SALE.  
CONTACT SPORTWORKS FOR REPLACEMENT P/Ns**

ITEM	QTY	PART NO	TITLE
1	1	5479	Cable Guide Harness Sub, Apex 2
2	2	6220	Support Arm Counter Switch Sub, Curb Side Apex
3	1	6239	Magnet Subassembly, Apex Deployment Kit
4	6	7511	BHCS, 10-32 x .625, Stainless, Import
5	10	7159	WASHER, FLAT, #10, SAE, Stainless, Import
6	8	7010	NUT, HEX, 10-32, Nylock, Stainless, Import
7	6	3123	Double Snap-Grip Nylon Hose and Tube Clamp Size P, 1-1/4" to 1-3/8" dia. range, Import



**DETAIL "C"**  
SUPPORT ARM AND WHEEL TRAY  
REMOVED FOR CLARITY

**Sportworks Northwest, Inc.**

15540 Woodinville-Redmond Rd. NE, Bldg A-200  
Woodinville, WA 98072, PH: 425-483-7000, FX: 425-488-9001

PROPRIETARY: THIS IS PROPRIETARY INFORMATION AND IS NOT TO  
BE REFERENCED OR DISTRIBUTED WITHOUT PRIOR WRITTEN  
AUTHORIZATION OF SPORTWORKS NORTHWEST, INC.

TITLE

Apex 2 Parts and Options Breakdown

DWG NO.

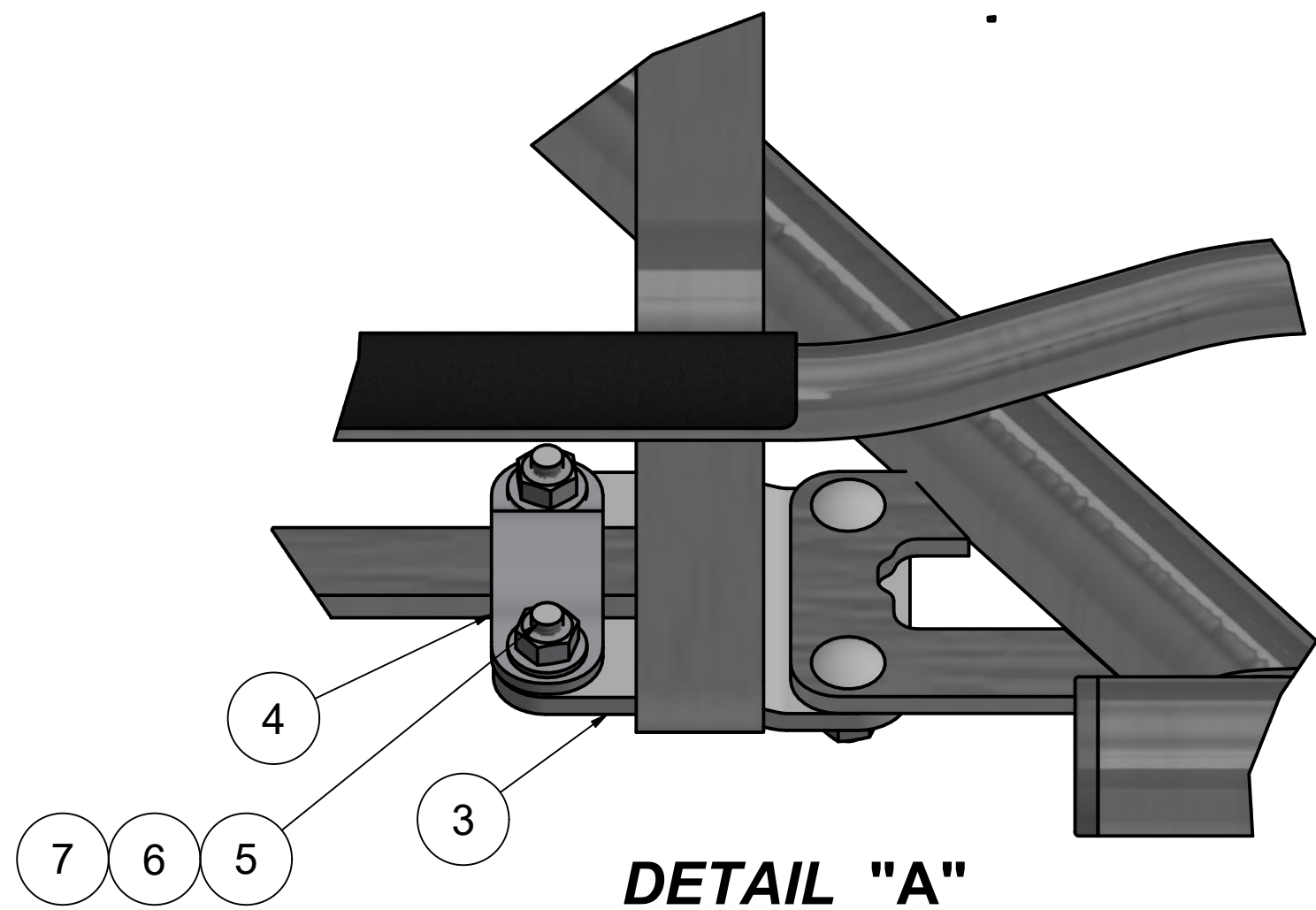
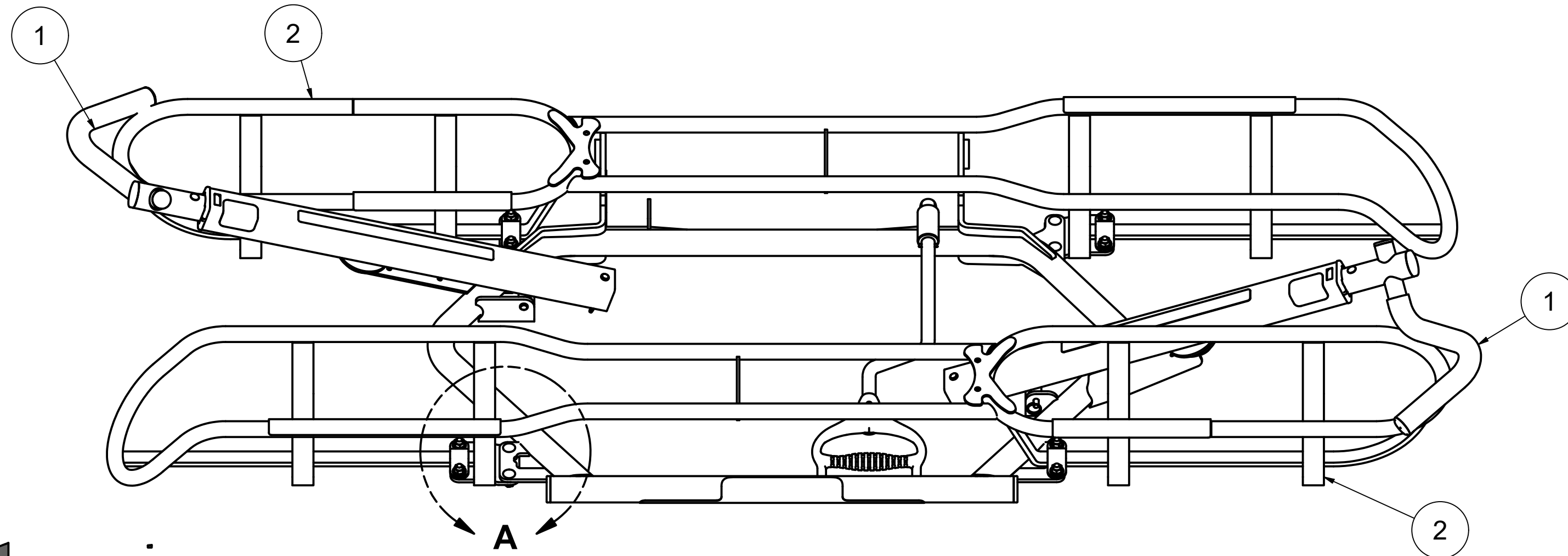
101082

REV

A

SIZE C2B | NO DRAWING SCALE | SHEET 6 OF 9

# FAT BIKE COMPATIBLE PARTS (-FAT OPTION)



**DETAIL "A"**

**PARTS LIST - 4-DIGIT P/Ns ARE NOT SET UP FOR SALE. CONTACT SPORTWORKS FOR REPLACEMENT P/Ns**

ITEM	QTY	PART NO	TITLE
1	2	2457	Support Arm Assembly, Fat Bike Apex 2 and 3, LH SIDE OF TRAY
2	2	6734-PEN	Fat Bike Tray Weldment, Bead Blasted
3	2	2060	Bracket, Fat Bike Tray Attachment
4	4	4488	Strap, Apex Tray Mount
5	12	6378	BOLT, CARRIAGE, 1/4-20 x .750, Stainless
6	12	7012	WASHER, FLAT, 1/4, SAE, Stainless
7	12	9893	NUT, LOCK, CENTER (reversible), Deformed thread, 1/4-20, 18-8 Stainless

**Sportworks Northwest, Inc.**

15540 Woodinville-Redmond Rd. NE, Bldg A-200  
Woodinville, WA 98072, PH: 425-483-7000, FX: 425-488-9001

PROPRIETARY: THIS IS PROPRIETARY INFORMATION AND IS NOT TO BE REFERENCED OR DISTRIBUTED WITHOUT PRIOR WRITTEN AUTHORIZATION OF SPORTWORKS NORTHWEST, INC.

TITLE

Apex 2 Parts and Options Breakdown

DWG NO.

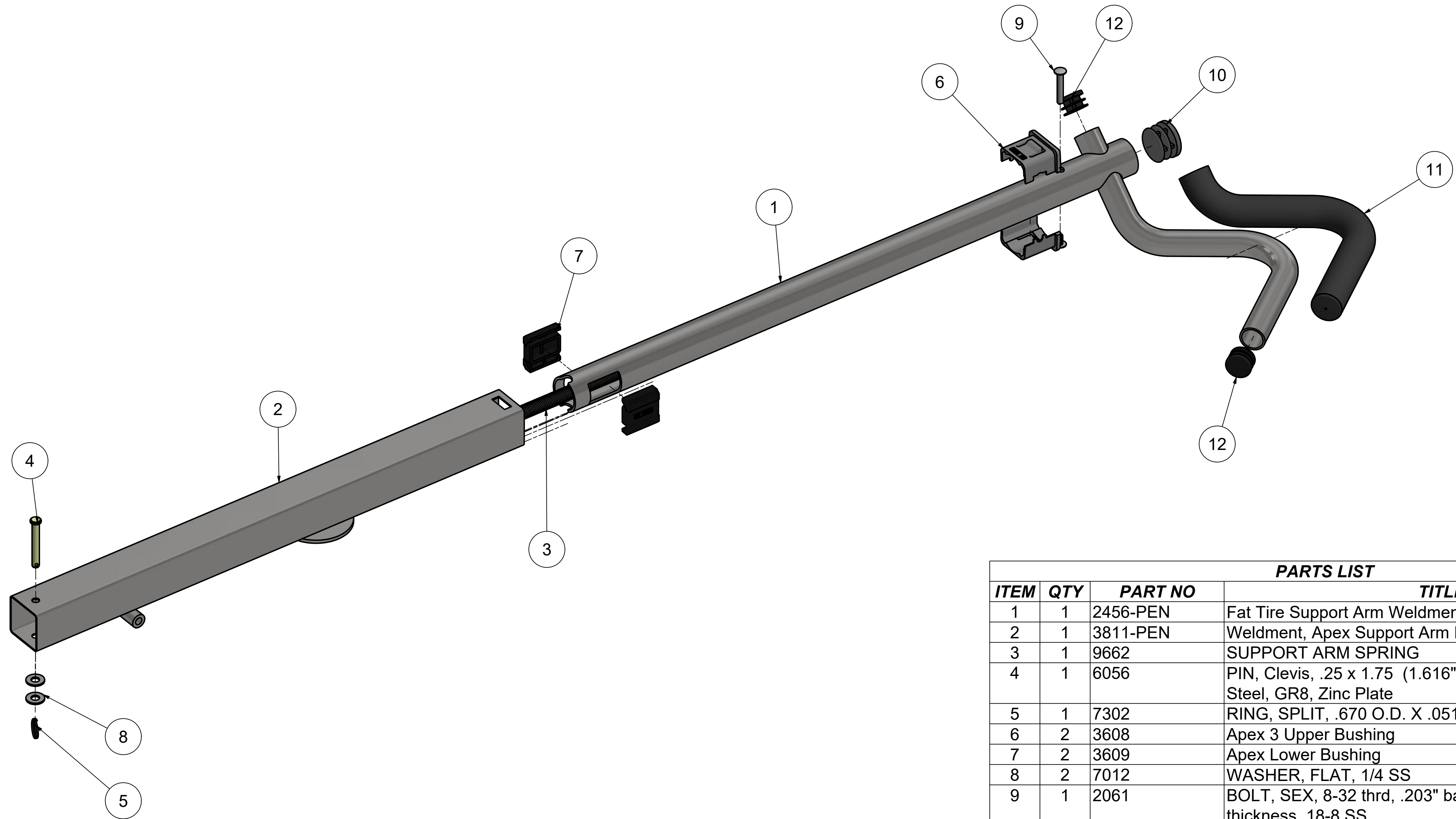
101082

REV

A

SIZE C2B | NO DRAWING SCALE | SHEET 7 OF 9

# 2457 FAT BIKE SUPPORT ARM



PARTS LIST			
ITEM	QTY	PART NO	TITLE
1	1	2456-PEN	Fat Tire Support Arm Weldment, LH, Blasted
2	1	3811-PEN	Weldment, Apex Support Arm Housing, Shot Peened
3	1	9662	SUPPORT ARM SPRING
4	1	6056	PIN, Clevis, .25 x 1.75 (1.616" useable length), Alloy Steel, GR8, Zinc Plate
5	1	7302	RING, SPLIT, .670 O.D. X .051 WIRE DIA, SS
6	2	3608	Apex 3 Upper Bushing
7	2	3609	Apex Lower Bushing
8	2	7012	WASHER, FLAT, 1/4 SS
9	1	2061	BOLT, SEX, 8-32 thrd, .203" barrel, for 1.25"-1.5" mat'l thickness, 18-8 SS
10	1	8046	CAP, PLASTIC, ROUND, 1-1/4"
11	1	7082	GRIP, Molded, .815 ID x 11 in long, dip molded vinyl
12	2	5134	PLUG, Tube End, Flat End, Black, for 7/8 in. tube

**Sportworks Northwest, Inc.**

15540 Woodinville-Redmond Rd. NE, Bldg A-200  
Woodinville, WA 98072, PH: 425-483-7000, FX: 425-488-9001

PROPRIETARY: THIS IS PROPRIETARY INFORMATION AND IS NOT TO BE REFERENCED OR DISTRIBUTED WITHOUT PRIOR WRITTEN AUTHORIZATION OF SPORTWORKS NORTHWEST, INC.

TITLE

Apex 2 Parts and Options Breakdown

DWG NO.

101082

REV

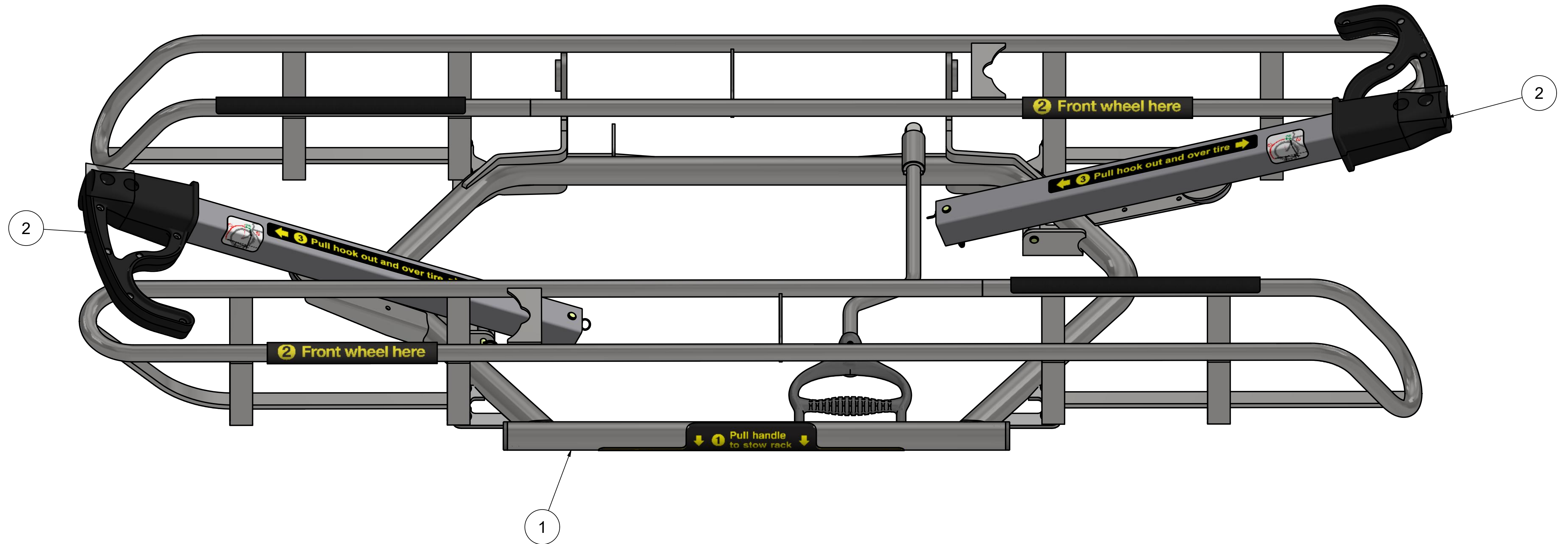
A

SIZE C2B | NO DRAWING SCALE | SHEET 8 OF 9



# RIGHT HAND DRIVE

(101272-XXX)



**PARTS LIST - 4-DIGIT P/Ns ARE NOT SET UP FOR SALE. CONTACT SPORTWORKS FOR REPLACEMENT P/Ns**

ITEM	QTY	PART NO	TITLE
1	1	6783-PEN	WELDMNT, Main Frame, Apex 2, Right Hand Drive, Anti-Glare Finish
2	2	4489	Support Arm Assembly, Apex RH SIDE OF TRAY

**Sportworks Northwest, Inc.**

15540 Woodinville-Redmond Rd. NE, Bldg A-200  
Woodinville, WA 98072, PH: 425-483-7000, FX: 425-488-9001

PROPRIETARY: THIS IS PROPRIETARY INFORMATION AND IS NOT TO BE REFERENCED OR DISTRIBUTED WITHOUT PRIOR WRITTEN AUTHORIZATION OF SPORTWORKS NORTHWEST, INC.

TITLE  
Apex 2 Parts and Options Breakdown

DWG NO. **101082** REV **A**

SIZE C2B | NO DRAWING SCALE | SHEET 9 OF 9