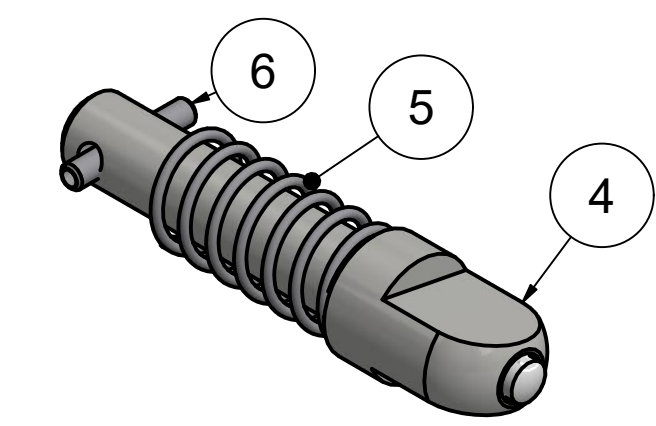


PARTS LIST - 4-DIGIT P/Ns ARE NOT SET UP FOR SALE. CONTACT SPORTWORKS FOR REPLACEMENT P/Ns

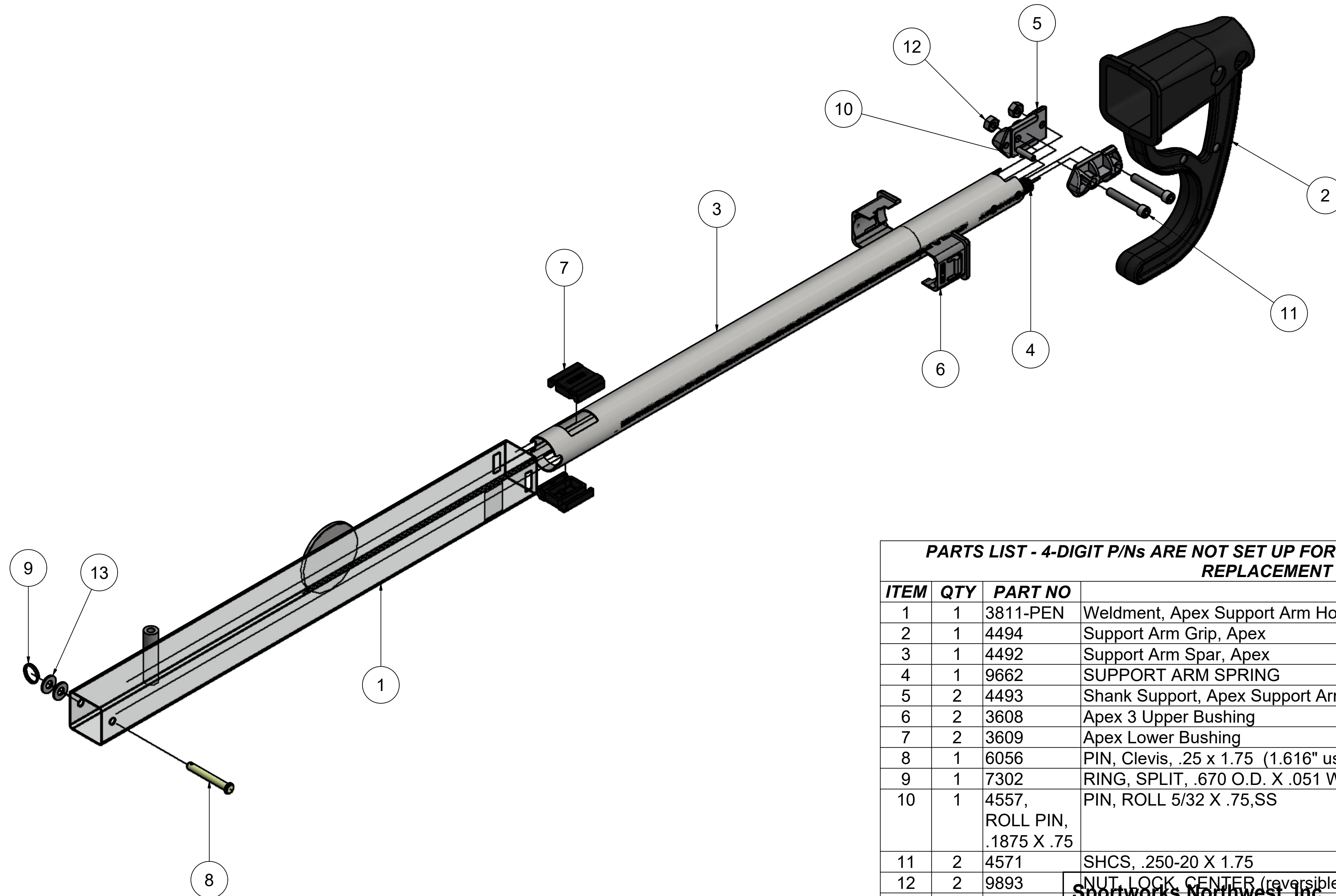
ITEM	QTY	PART NO	TITLE
1	1	6164-PEN	Weldment, Apex 3 Bike Rack, SS Tubular Frame, Anti-Glare Finish
2	3	6147-PEN	Apex Saddle Wheel Tray Weldment, Stainless, Bead Blast
3	1	6784	Sub Assy, Apex 3 Black Latch Handle
4	1	3604	Apex Latch Pin Sub-Assy
5	1	7068	SPRING, Compression, Latch Pin, Stainless
6	1	5205	PIN, ROLL, .15625 OD x .875, 18-8 Stainless, Import
7	1	4489	Support Arm Assembly, Apex RH SIDE OF TRAY
8	2	4490	Support Arm Assembly, Apex LH SIDE OF TRAY
9	3	4675	MAGNET, 45LB, Neodymium w/Stainless Steel Cup, 2.375" dia
10	3	7010	NUT, HEX, 10-32, Nylock, Stainless, Import
11	3	7302	RING, SPLIT, .670 O.D. X .051 WIRE DIA, SS
12	3	5348	PIN, Clevis, .25 x 2.793 (2-39/64" useable length), Alloy Steel, GR8, Yellow Zinc
13	2	4488	Strap, Apex Tray Mount
14	2	8046	CAP, PLASTIC, ROUND, 1-1/4"
15	12	6378	BOLT, CARRIAGE, 1/4-20 x .750, Stainless
16	12	7012	WASHER, FLAT, 1/4 SS
17	12	9893	NUT, LOCK, CENTER (reversible), Deformed thread, 1/4-20, 18-8 Stainless
18	3	7109	LABEL, RACK CHAIN GUARD
19	1	9803	LABEL, # 1, Pull Handle to Stow Rack/ Push In & Pull Handle Up to Release and Lower
20	3	9810	LABEL No. 2, Front Wheel Here (English only)
21	3	9811	LABEL No. 3, PULL HOOK UP
22	3	3537	LABEL, MMT Support Arm Placement



LATCH PIN DETAIL

Sportworks Northwest, Inc. 15540 Woodinville-Redmond Rd. NE, Bldg A-200 Woodinville, WA 98072, PH: 425-483-7000, FX: 425-488-9001	TITLE	Apex 3 Parts and Options Breakdown
	DWG NO.	100945
<small>PROPRIETARY: THIS IS PROPRIETARY INFORMATION AND IS NOT TO BE REFERENCED OR DISTRIBUTED WITHOUT PRIOR WRITTEN AUTHORIZATION OF SPORTWORKS NORTHWEST, INC.</small>	SIZE C2B NO DRAWING SCALE SHEET 1 OF 10	REV A

4490 SUPPORT ARM PARTS



PARTS LIST - 4-DIGIT P/Ns ARE NOT SET UP FOR SALE. CONTACT SPORTWORKS FOR REPLACEMENT P/Ns

ITEM	QTY	PART NO	TITLE
1	1	3811-PEN	Weldment, Apex Support Arm Housing, Shot Peened
2	1	4494	Support Arm Grip, Apex
3	1	4492	Support Arm Spar, Apex
4	1	9662	SUPPORT ARM SPRING
5	2	4493	Shank Support, Apex Support Arm Hook
6	2	3608	Apex 3 Upper Bushing
7	2	3609	Apex Lower Bushing
8	1	6056	PIN, Clevis, .25 x 1.75 (1.616" useable length), Alloy Steel, GR8, Zinc Plate
9	1	7302	RING, SPLIT, .670 O.D. X .051 WIRE DIA, SS
10	1	4557, ROLL PIN, .1875 X .75	PIN, ROLL 5/32 X .75,SS
11	2	4571	SHCS, .250-20 X 1.75
12	2	9893	NUT, LOCK, CENTER (reversible), Deformed thread, 1/4-20, 18-8 Stainless
13	2	7012	WASHER, FLAT, 1/4 SS

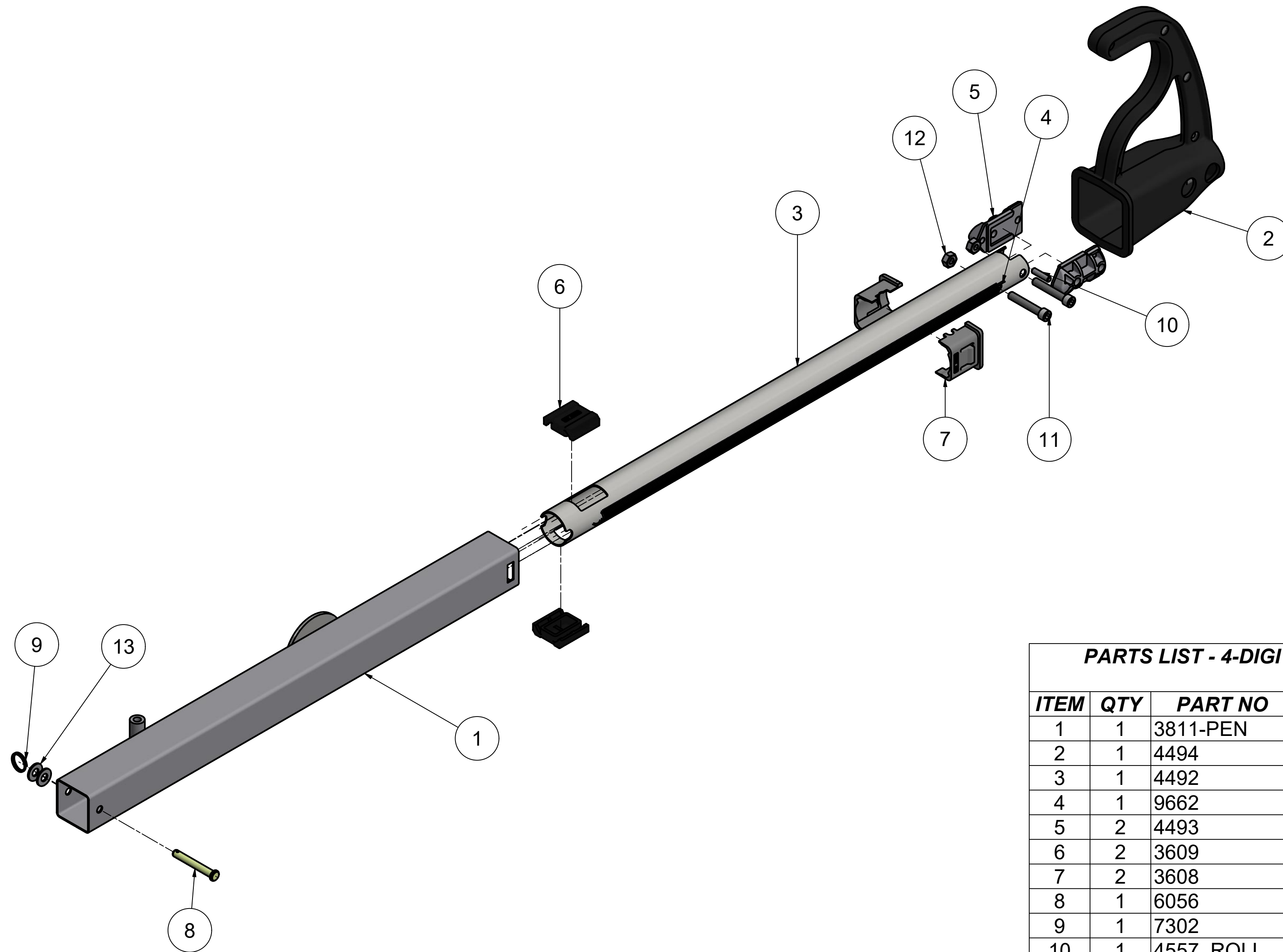
Sportworks Northwest, Inc.

15540 Woodinville-Redmond Rd. NE, Bldg A-200
Woodinville, WA 98072, PH: 425-483-7000, FX: 425-488-9001

PROPRIETARY: THIS IS PROPRIETARY INFORMATION AND IS NOT TO BE REFERENCED OR DISTRIBUTED WITHOUT PRIOR WRITTEN AUTHORIZATION OF SPORTWORKS NORTHWEST, INC.

Apex 3 Parts and Options Breakdown	
DWG NO.	100945
REV	A
SIZE C2B	NO DRAWING SCALE
SHEET 2	OF 10

4489 SUPPORT ARM PARTS



PARTS LIST - 4-DIGIT P/NS ARE NOT SET UP FOR SALE. CONTACT SPORTWORKS FOR REPLACEMENT P/NS

ITEM	QTY	PART NO	TITLE
1	1	3811-PEN	Weldment, Apex Support Arm Housing, Shot Peened
2	1	4494	Support Arm Grip, Apex
3	1	4492	Support Arm Spar, Apex
4	1	9662	SUPPORT ARM SPRING
5	2	4493	Shank Support, Apex Support Arm Hook
6	2	3609	Apex Lower Bushing
7	2	3608	Apex 3 Upper Bushing
8	1	6056	PIN, Clevis, .25 x 1.75 (1.616" useable length), Alloy Steel, GR8, Zinc Plate
9	1	7302	RING, SPLIT, .670 O.D. X .051 WIRE DIA, SS
10	1	4557, ROLL PIN, .1875 X .75	PIN, ROLL 5/32 X .75,SS
11	2	4571	SHCS, .250-20 X 1.75
12	2	9893	NUT, LOCK CENTER (reversible), Deformed thread, 1/4-20, 18-8 Stainless
13	2	7012	WASHER, FLAT, 1/4 SS

Sportworks Northwest, Inc.
 15540 Woodinville-Redmond Rd., NE, Bldg A-200
 Woodinville, WA 98072, PH: 425-483-7000, FX: 425-488-9001

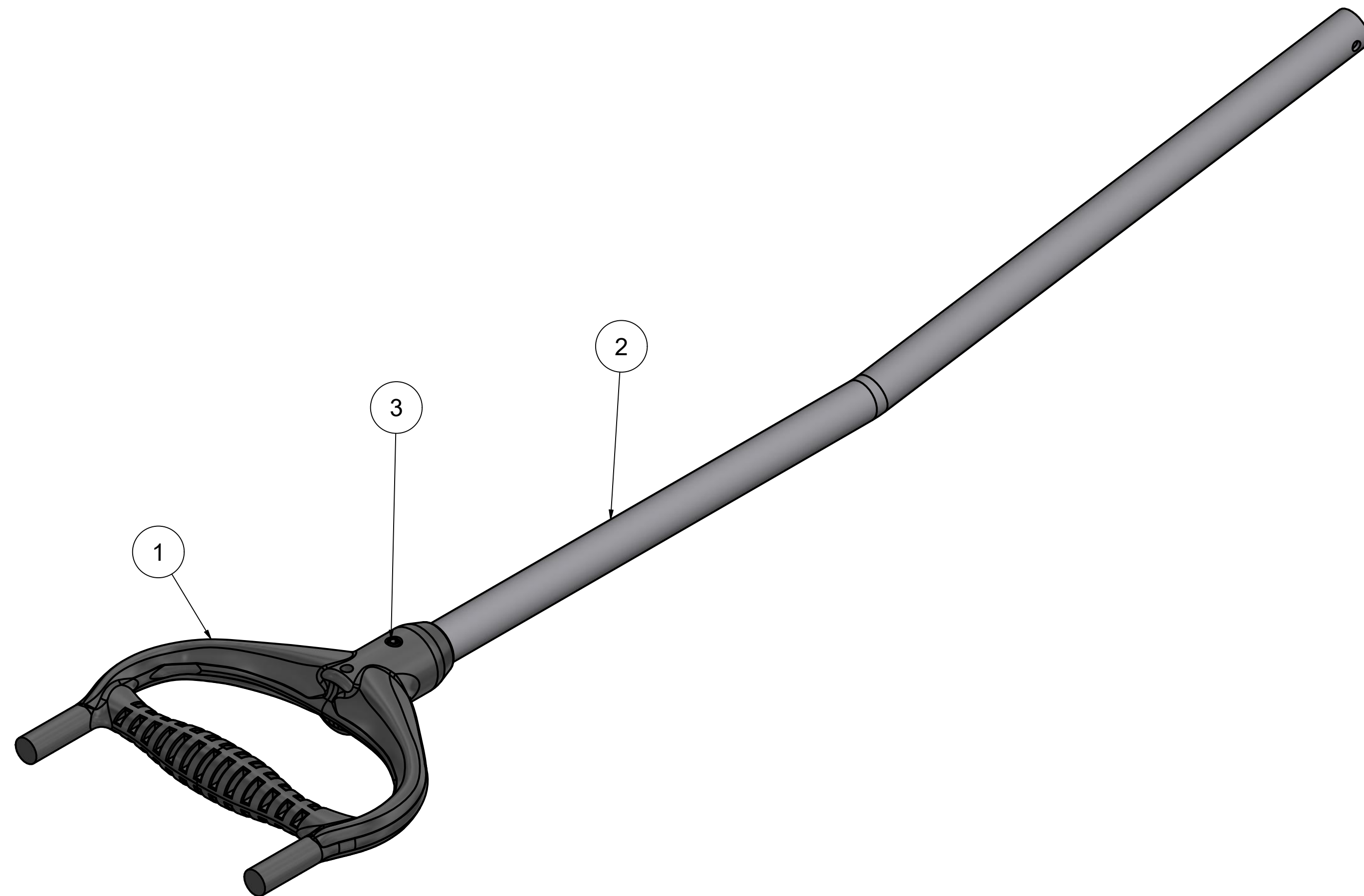
PROPRIETARY: THIS IS PROPRIETARY INFORMATION AND IS NOT TO BE REFERENCED OR DISTRIBUTED WITHOUT PRIOR WRITTEN AUTHORIZATION OF SPORTWORKS NORTHWEST, INC.

Apex 3 Parts and Options Breakdown

DWG NO. **100945** REV **A**

SIZE C2B | NO DRAWING SCALE | SHEET 3 OF 10

6784 LATCH HANDLE PARTS



PARTS LIST - 4-DIGIT P/Ns ARE NOT SET UP FOR SALE. CONTACT SPORTWORKS FOR REPLACEMENT P/Ns

ITEM	QTY	PART NO	TITLE
1	1	5406	Molded Latch Handle - Black
2	1	4487	Tube, Apex 3 Latch Handle
3	1	5235	PIN, ROLL, .1875 x 1, 18-8 Stainless, Import

Sportworks Northwest, Inc.

15540 Woodinville-Redmond Rd. NE, Bldg A-200
Woodinville, WA 98072, PH: 425-483-7000, FX: 425-488-9001

PROPRIETARY: THIS IS PROPRIETARY INFORMATION AND IS NOT TO BE REFERENCED OR DISTRIBUTED WITHOUT PRIOR WRITTEN AUTHORIZATION OF SPORTWORKS NORTHWEST, INC.

TITLE

Apex 3 Parts and Options Breakdown

DWG NO.

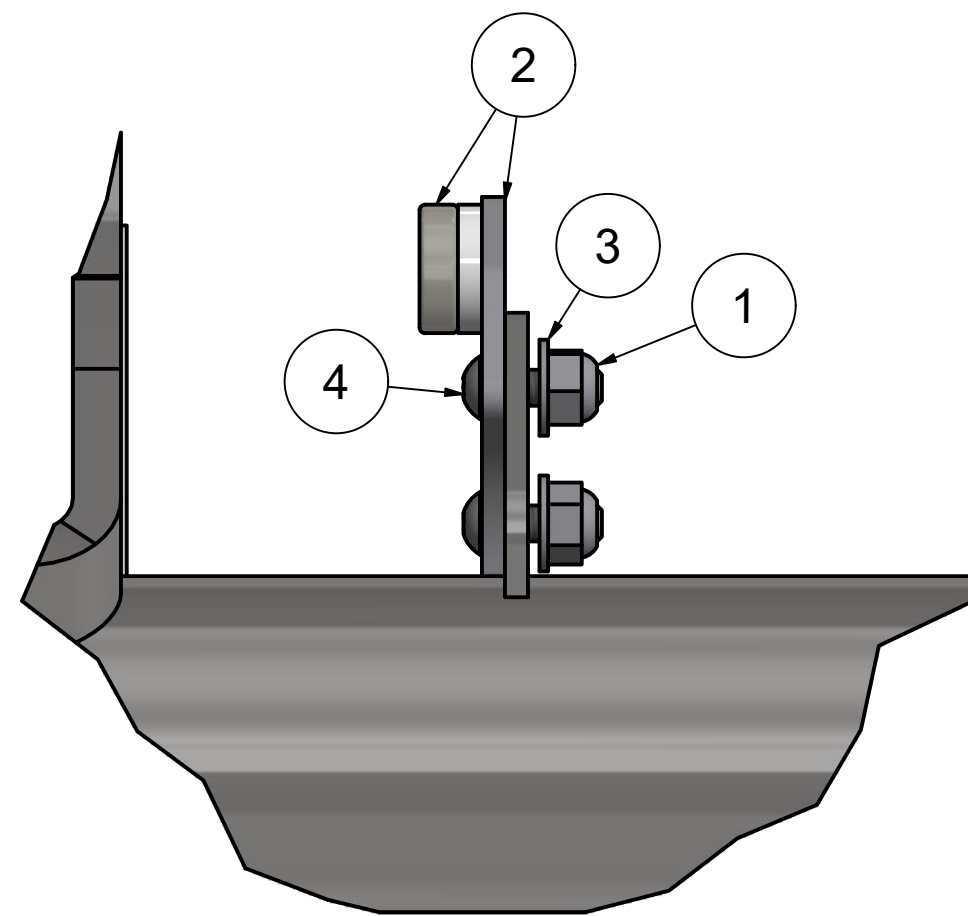
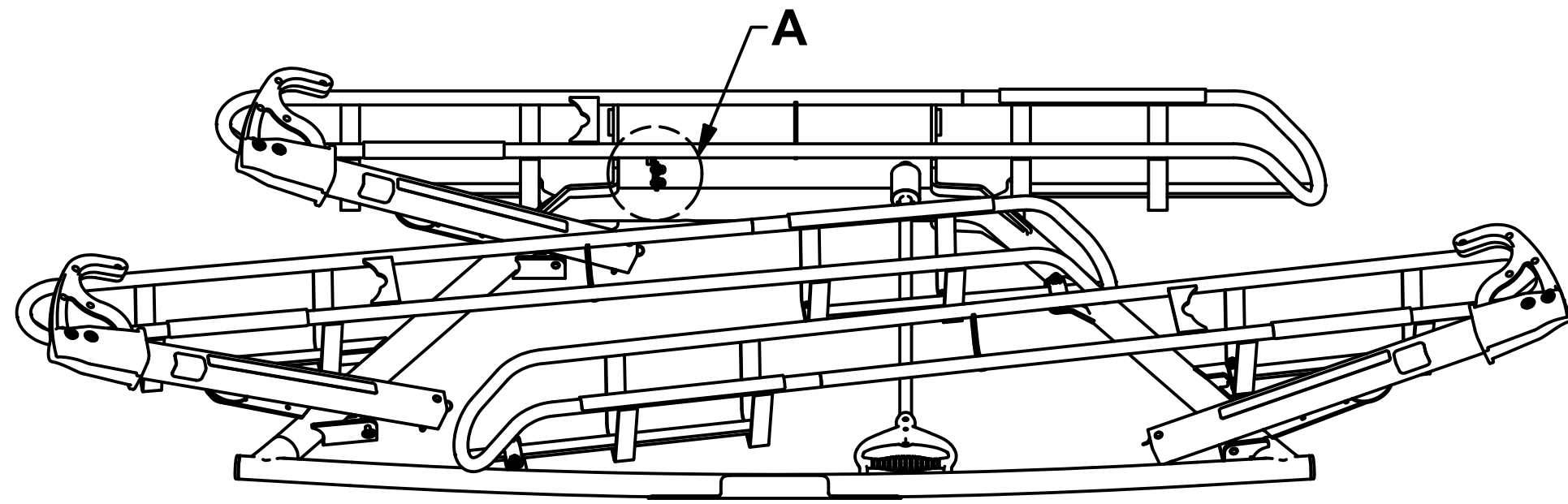
100945

REV

A

SIZE C2B | NO DRAWING SCALE | SHEET 4 OF 10

DEPLOYMENT KIT PARTS (-DPLY OPTION)



DETAIL "A"

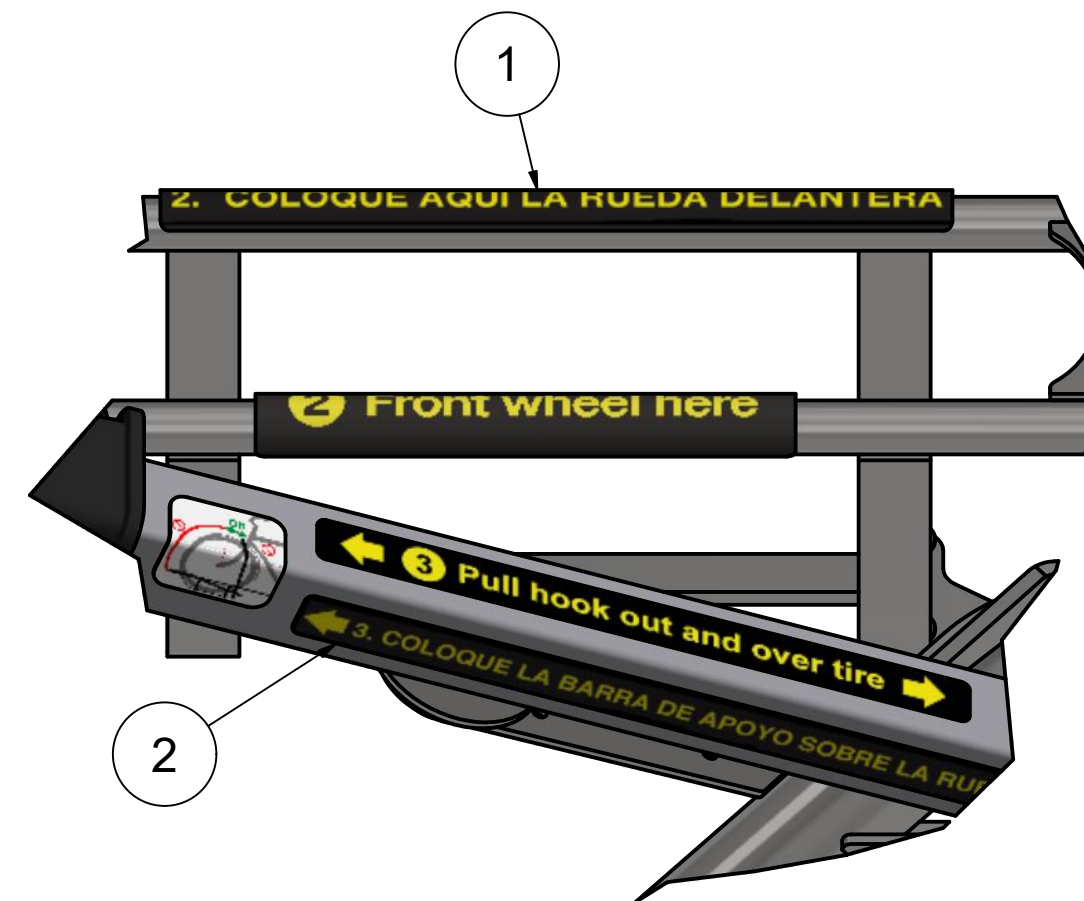
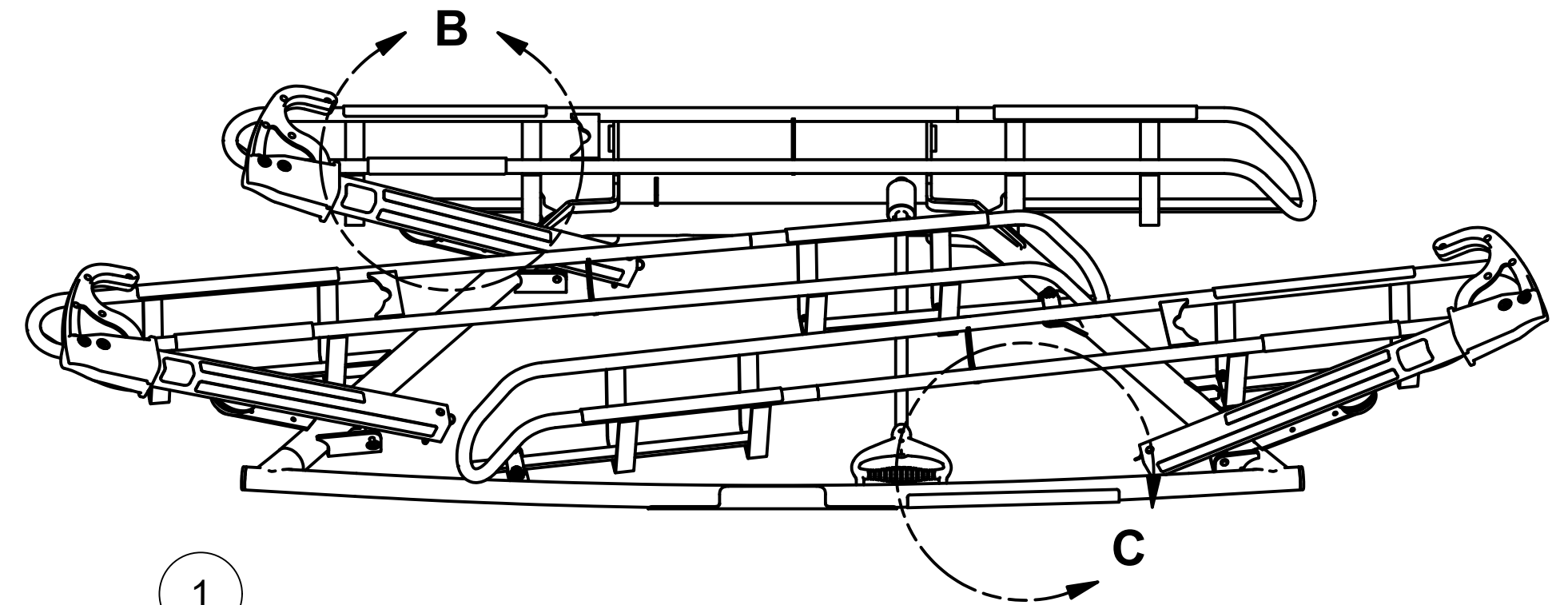
PARTS LIST - 4-DIGIT P/Ns ARE NOT SET UP FOR SALE. CONTACT SPORTWORKS FOR REPLACEMENT P/Ns

ITEM	QTY	PART NO	TITLE
1	5	7010	NUT, HEX, 10-32, Nylock, Stainless, Import
2	1	6239	Magnet Subassembly, Apex Deployment Kit
3	2	7159	WASHER, FLAT, #10, SAE, Stainless, Import
4	2	7511	BHCS, 10-32 x .625, Stainless, Import

NOTES

1. TO COMPLETE THE DEPLOYMENT SENSOR SYSTEM, THE APEX PIVOT PLATE MUST ALSO BE SPECIFIED WITH THE -DPLY OPTION

SPANISH LABEL PARTS (-SPAN OPTION)



DETAIL "B"



DETAIL "C"

PARTS LIST - 4-DIGIT P/Ns ARE NOT SET UP FOR SALE. CONTACT SPORTWORKS FOR REPLACEMENT P/Ns

ITEM	QTY	PART NO	TITLE
1	3	7625	LABEL, 2., COLOQUE AQUI...(Spanish)
2	3	7626	LABEL, 3. COLOQUE LA BARRA...(Spanish)
3	1	7624	LABEL, 1., Bus Rack, Spanish

Sportworks Northwest, Inc.

15540 Woodinville-Redmond Rd. NE, Bldg A-200
Woodinville, WA 98072, PH: 425-483-7000, FX: 425-488-9001

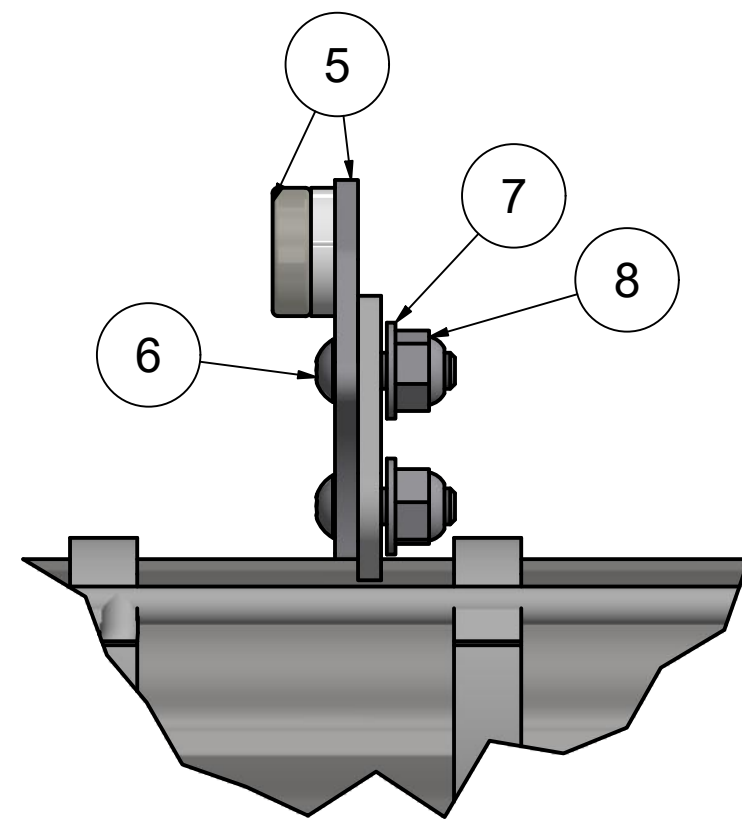
PROPRIETARY: THIS IS PROPRIETARY INFORMATION AND IS NOT TO BE REFERENCED OR DISTRIBUTED WITHOUT PRIOR WRITTEN AUTHORIZATION OF SPORTWORKS NORTHWEST, INC.

TITLE
Apex 3 Parts and Options Breakdown

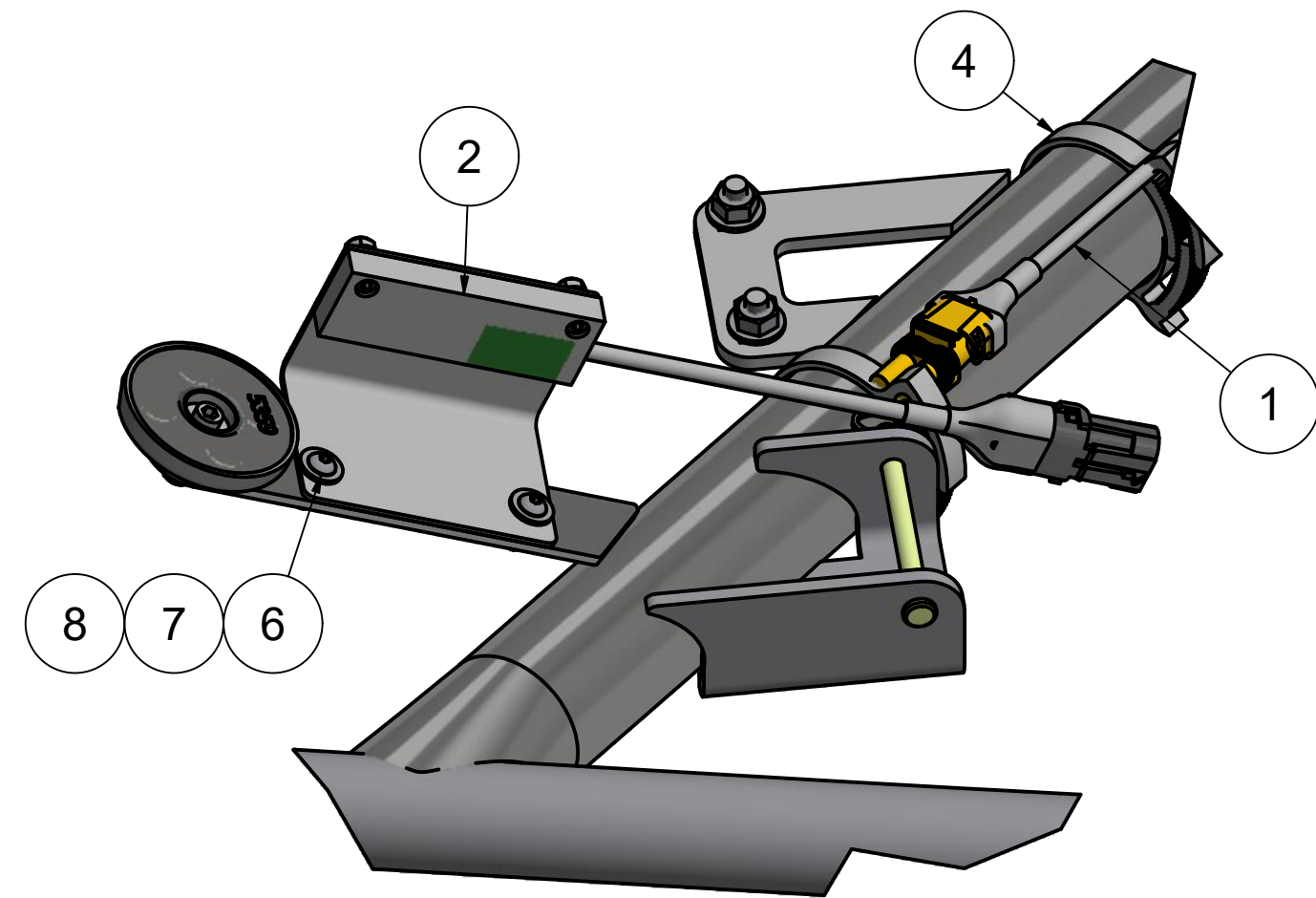
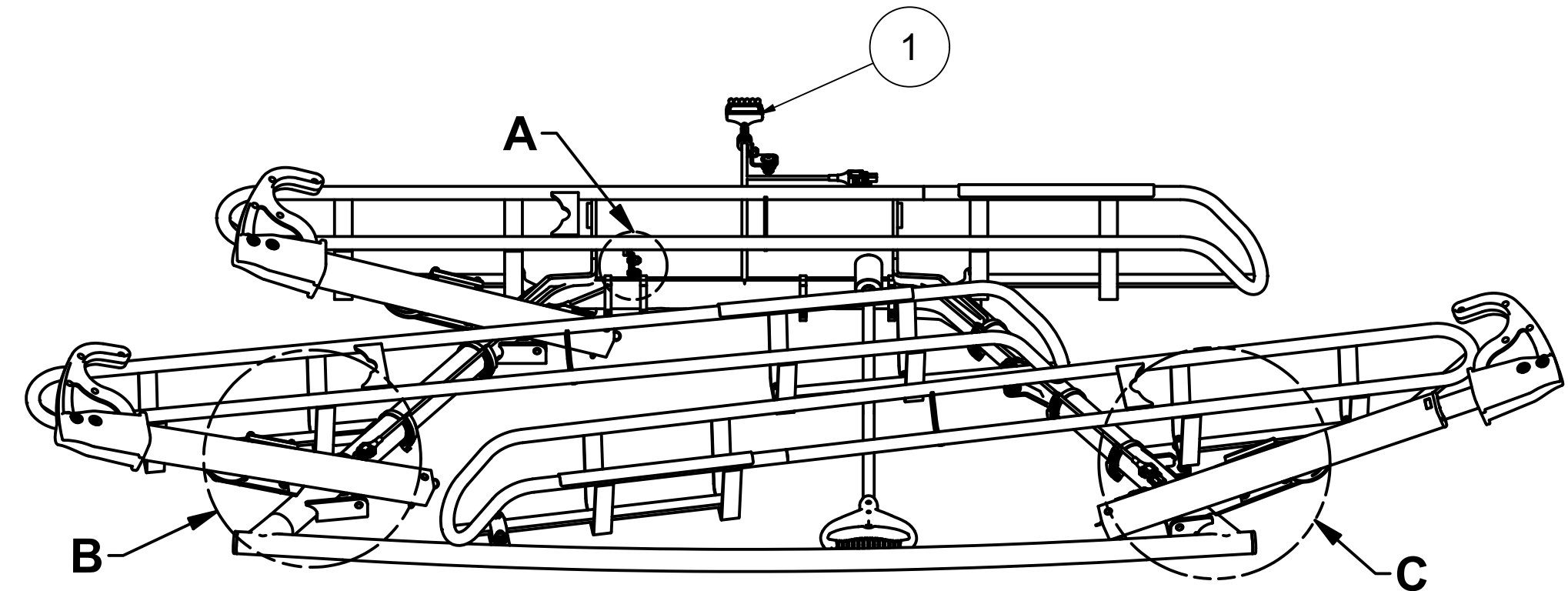
DWG NO. 100945 REV A

SIZE C2B | NO DRAWING SCALE | SHEET 5 OF 10

BIKE COUNTER KIT PARTS (-CNTR OPTION)



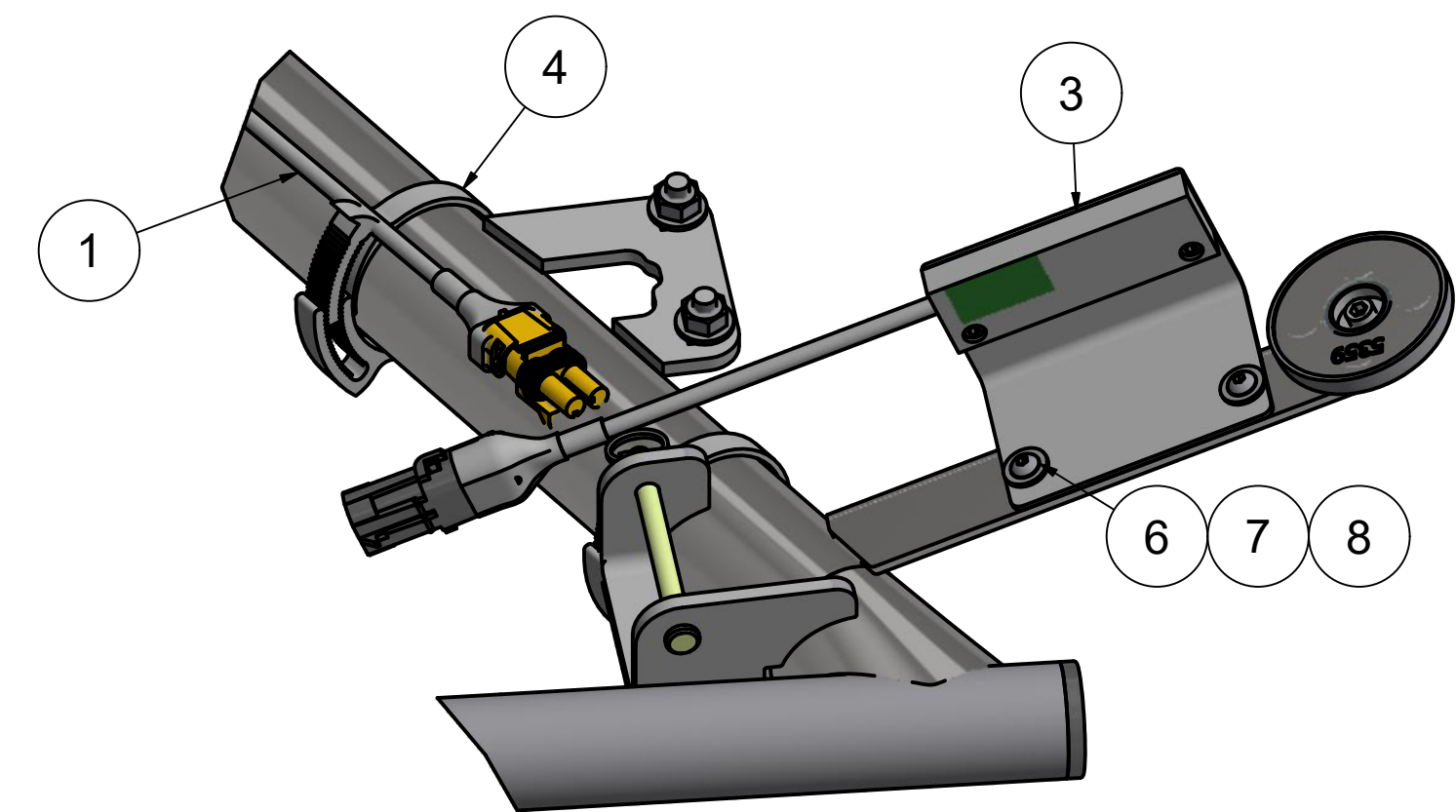
DETAIL "A"



**DETAIL "B"
SUPPORT ARM AND WHEEL TRAY
REMOVED FOR CLARITY**

PARTS LIST - 4-DIGIT P/Ns ARE NOT SET UP FOR SALE. CONTACT SPORTWORKS FOR REPLACEMENT P/Ns

ITEM	QTY	PART NO	TITLE
1	1	6274	Cable Guide Harness Sub, Apex 3
2	2	6220	Support Arm Counter Switch Sub, Curb Side Apex
3	1	6221	Support Arm Counter Switch Sub, Curb Side V2
4	12	6259	Double Snap-Grip Nylon Hose and Tube Clamp T, 1-11/16" to 1-13/16" Clamp Diameter Range
5	1	6239	Magnet Subassembly, Apex Deployment Kit
6	8	7511	BHCS, 10-32 x .625, Stainless, Import
7	14	7159	WASHER, FLAT, #10, SAE, Stainless, Import
8	11	7010	NUT, HEX, 10-32, Nylock, Stainless, Import



**DETAIL "C"
SUPPORT ARM AND WHEEL TRAY
REMOVED FOR CLARITY**

Sportworks Northwest, Inc.

15540 Woodinville-Redmond Rd. NE, Bldg A-200
Woodinville, WA 98072, PH: 425-483-7000, FX: 425-488-9001

PROPRIETARY: THIS IS PROPRIETARY INFORMATION AND IS NOT TO BE REFERENCED OR DISTRIBUTED WITHOUT PRIOR WRITTEN AUTHORIZATION OF SPORTWORKS NORTHWEST, INC.

TITLE

Apex 3 Parts and Options Breakdown

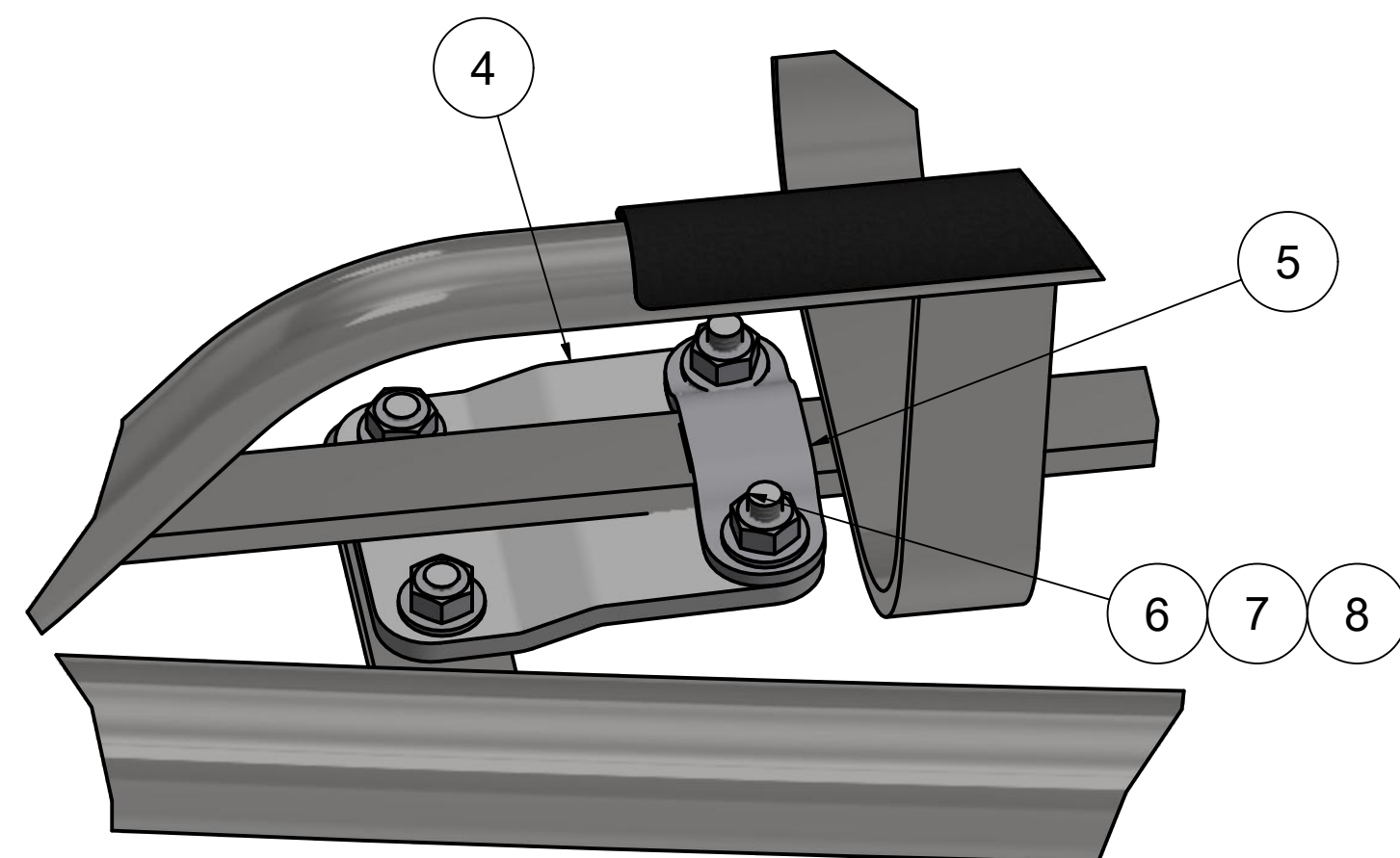
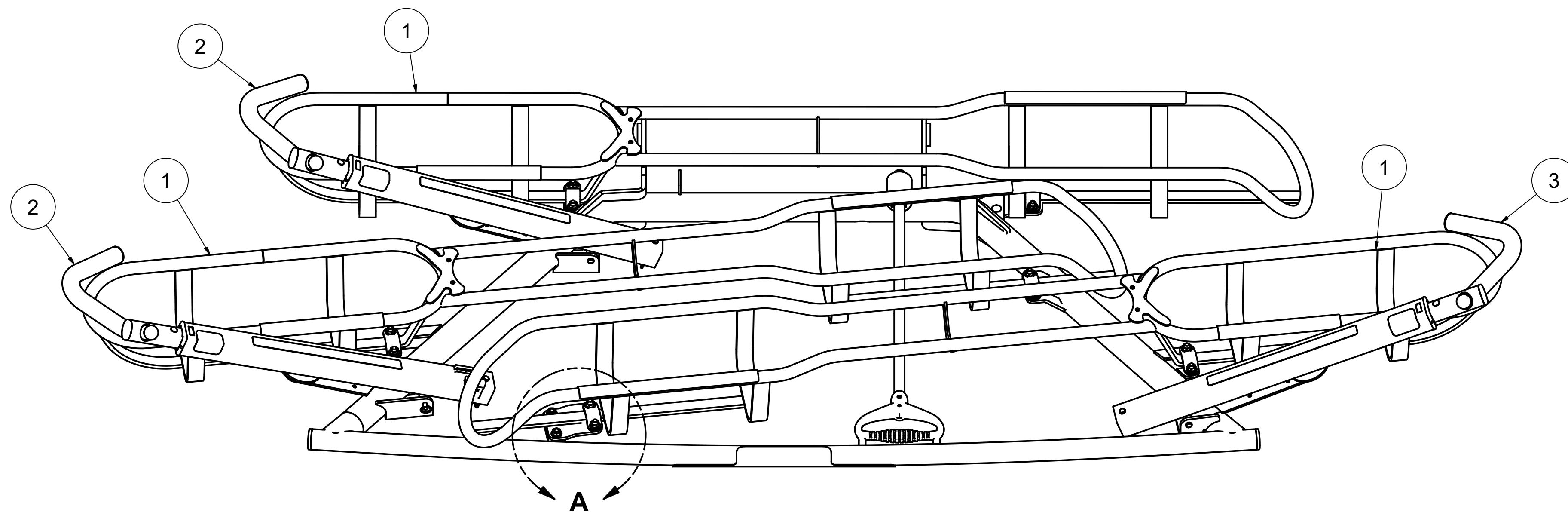
DWG NO.

100945

REV
A

SIZE C2B | NO DRAWING SCALE | SHEET 6 OF 10

FAT BIKE COMPATIBLE PARTS (-FAT OPTION)



DETAIL "A"

PARTS LIST - 4-DIGIT P/Ns ARE NOT SET UP FOR SALE. CONTACT SPORTWORKS FOR REPLACEMENT P/Ns

ITEM	QTY	PART NO	TITLE
1	3	6734-PEN	Fat Bike Tray Weldment, Bead Blasted
2	2	2457	Support Arm Assembly, Fat Bike Apex 2 and 3, LH SIDE OF TRAY
3	1	2461	Support Arm Assembly, Fat Bike Apex 2 and 3, RH SIDE OF TRAY
4	2	2060	Bracket, Fat Bike Tray Attachment
5	6	4488	Strap, Apex Tray Mount
6	16	6378	BOLT, CARRIAGE, 1/4-20 x .750, Stainless, Import
7	16	7012	WASHER, FLAT, 1/4 SS
8	16	9893	NUT, LOCK, CENTER (reversible), Deformed thread, 1/4-20, 18-8 Stainless

Sportworks Northwest, Inc.

15540 Woodinville-Redmond Rd. NE, Bldg A-200
Woodinville, WA 98072, PH: 425-483-7000, FX: 425-488-9001

PROPRIETARY: THIS IS PROPRIETARY INFORMATION AND IS NOT TO BE REFERENCED OR DISTRIBUTED WITHOUT PRIOR WRITTEN AUTHORIZATION OF SPORTWORKS NORTHWEST, INC.

TITLE

Apex 3 Parts and Options Breakdown

DWG NO.

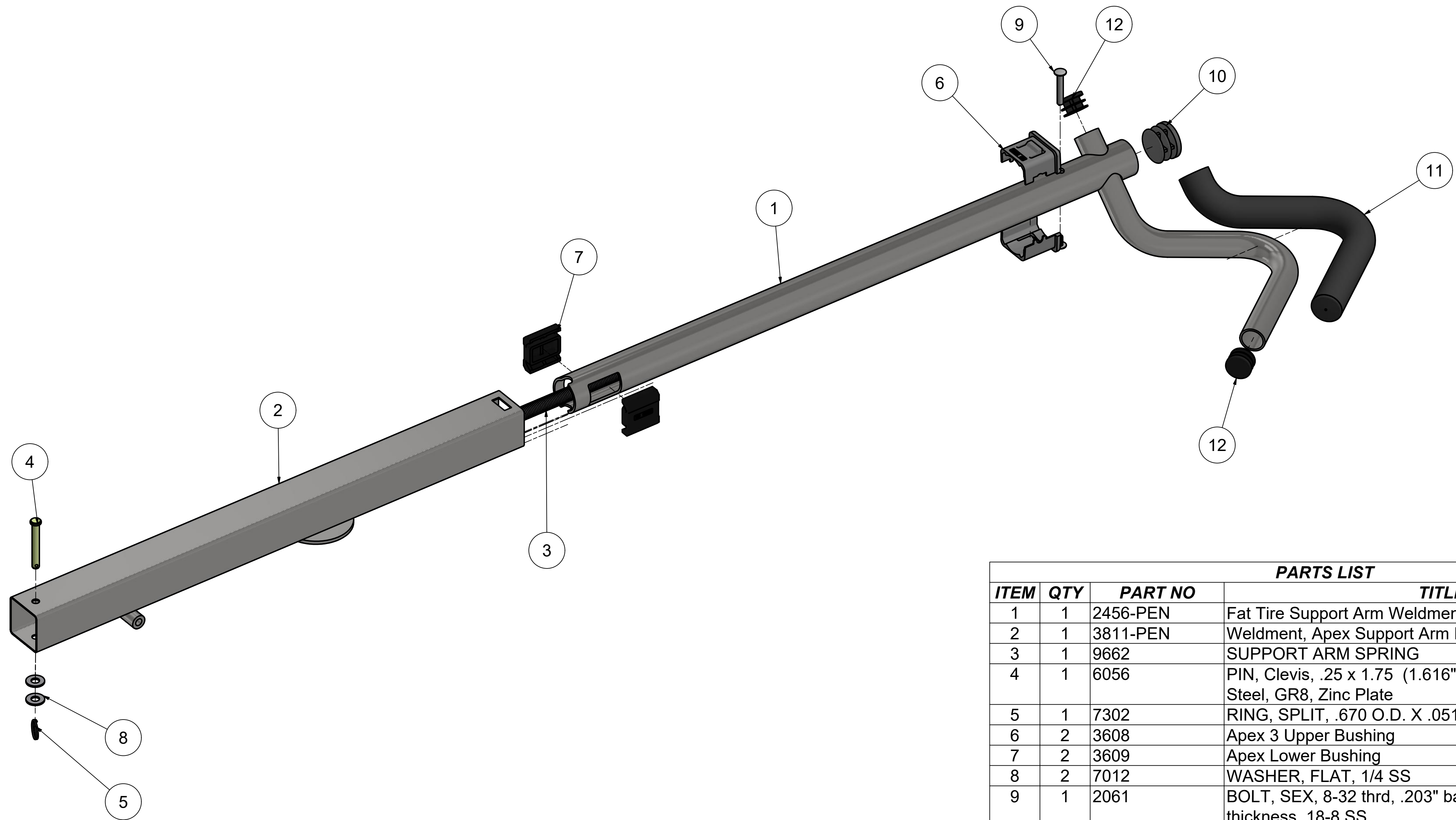
100945

REV

A

SIZE C2B | NO DRAWING SCALE | SHEET 7 OF 10

2457 FAT BIKE SUPPORT ARM



PARTS LIST			
ITEM	QTY	PART NO	TITLE
1	1	2456-PEN	Fat Tire Support Arm Weldment, LH, Blasted
2	1	3811-PEN	Weldment, Apex Support Arm Housing, Shot Peened
3	1	9662	SUPPORT ARM SPRING
4	1	6056	PIN, Clevis, .25 x 1.75 (1.616" useable length), Alloy Steel, GR8, Zinc Plate
5	1	7302	RING, SPLIT, .670 O.D. X .051 WIRE DIA, SS
6	2	3608	Apex 3 Upper Bushing
7	2	3609	Apex Lower Bushing
8	2	7012	WASHER, FLAT, 1/4 SS
9	1	2061	BOLT, SEX, 8-32 thrd, .203" barrel, for 1.25"-1.5" mat'l thickness, 18-8 SS
10	1	8046	CAP, PLASTIC, ROUND, 1-1/4"
11	1	7082	GRIP, Molded, .815 ID x 11 in long, dip molded vinyl
12	2	5134	PLUG, Tube End, Flat End, Black, for 7/8 in. tube

Sportworks Northwest, Inc.

15540 Woodinville-Redmond Rd. NE, Bldg A-200
Woodinville, WA 98072, PH: 425-483-7000, FX: 425-488-9001

PROPRIETARY: THIS IS PROPRIETARY INFORMATION AND IS NOT TO BE REFERENCED OR DISTRIBUTED WITHOUT PRIOR WRITTEN AUTHORIZATION OF SPORTWORKS NORTHWEST, INC.

TITLE

Apex 3 Parts and Options Breakdown

DWG NO.

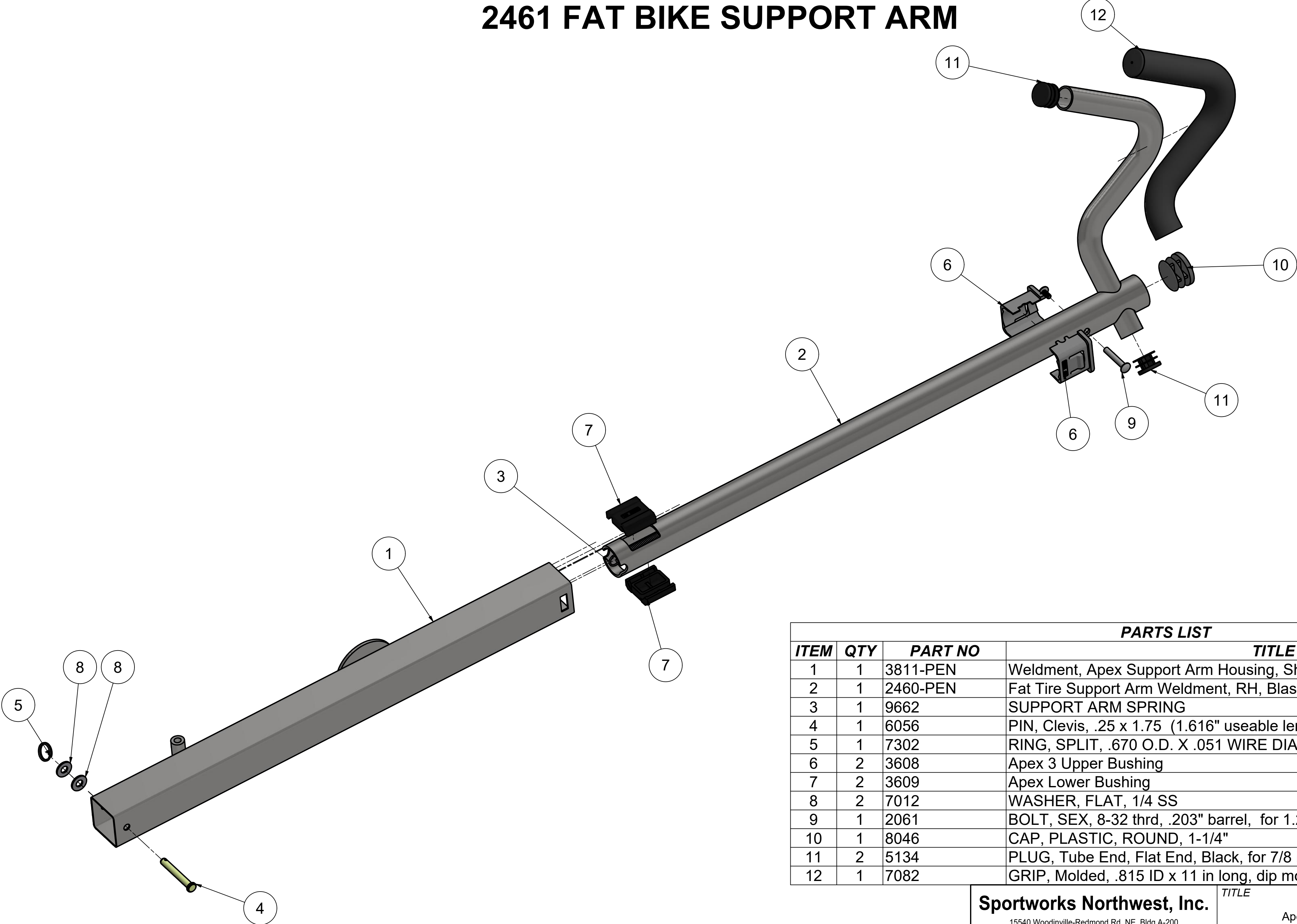
100945

REV

A

SIZE C2B | NO DRAWING SCALE | SHEET 8 OF 10

2461 FAT BIKE SUPPORT ARM



PARTS LIST			
ITEM	QTY	PART NO	TITLE
1	1	3811-PEN	Weldment, Apex Support Arm Housing, Shot Peened
2	1	2460-PEN	Fat Tire Support Arm Weldment, RH, Blasted
3	1	9662	SUPPORT ARM SPRING
4	1	6056	PIN, Clevis, .25 x 1.75 (1.616" useable length), Alloy Steel, GR8, Zinc Plate
5	1	7302	RING, SPLIT, .670 O.D. X .051 WIRE DIA, SS
6	2	3608	Apex 3 Upper Bushing
7	2	3609	Apex Lower Bushing
8	2	7012	WASHER, FLAT, 1/4 SS
9	1	2061	BOLT, SEX, 8-32 thrd, .203" barrel, for 1.25"-1.5" mat'l thickness, 18-8 SS
10	1	8046	CAP, PLASTIC, ROUND, 1-1/4"
11	2	5134	PLUG, Tube End, Flat End, Black, for 7/8 in. tube
12	1	7082	GRIP, Molded, .815 ID x 11 in long, dip molded vinyl

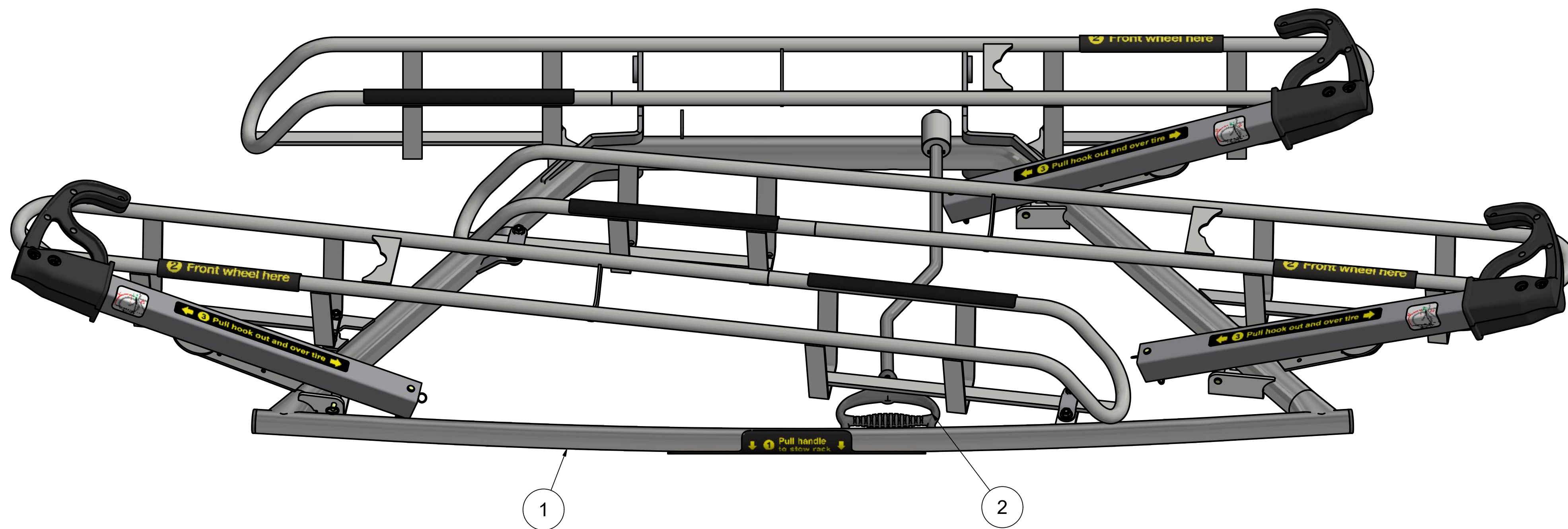
Sportworks Northwest, Inc. 15540 Woodinville-Redmond Rd. NE, Bldg A-200 Woodinville, WA 98072, PH: 425-483-7000, FX: 425-488-9001	TITLE	Apex 3 Parts and Options Breakdown
	DWG NO.	100945
PROPRIETARY: THIS IS PROPRIETARY INFORMATION AND IS NOT TO BE REFERENCED OR DISTRIBUTED WITHOUT PRIOR WRITTEN AUTHORIZATION OF SPORTWORKS NORTHWEST, INC.	REV	A
SIZE C2B	NO DRAWING SCALE	SHEET 9 OF 10

RIGHT HAND DRIVE

(101281-XXX)

PARTS LIST - 4-DIGIT P/NS ARE NOT SET UP FOR SALE. CONTACT SPORTWORKS FOR REPLACEMENT P/NS

ITEM	QTY	PART NO	TITLE
1	1	6999-PEN	WELDMNT, Apex 3, Right Hand Drive, SS Continuous Tubular Frame, Anti-Glare Finish
2	1	2016	Sub Assy, Apex 3 RHD, Black Latch handle



Sportworks Northwest, Inc.

15540 Woodinville-Redmond Rd. NE, Bldg A-200
Woodinville, WA 98072, PH: 425-483-7000, FX: 425-488-9001

PROPRIETARY: THIS IS PROPRIETARY INFORMATION AND IS NOT TO BE REFERENCED OR DISTRIBUTED WITHOUT PRIOR WRITTEN AUTHORIZATION OF SPORTWORKS NORTHWEST, INC.

TITLE	Apex 3 Parts and Options Breakdown	
DWG NO.	100945	REV A
SIZE	C2B	NO DRAWING SCALE
SHEET	10	OF 10