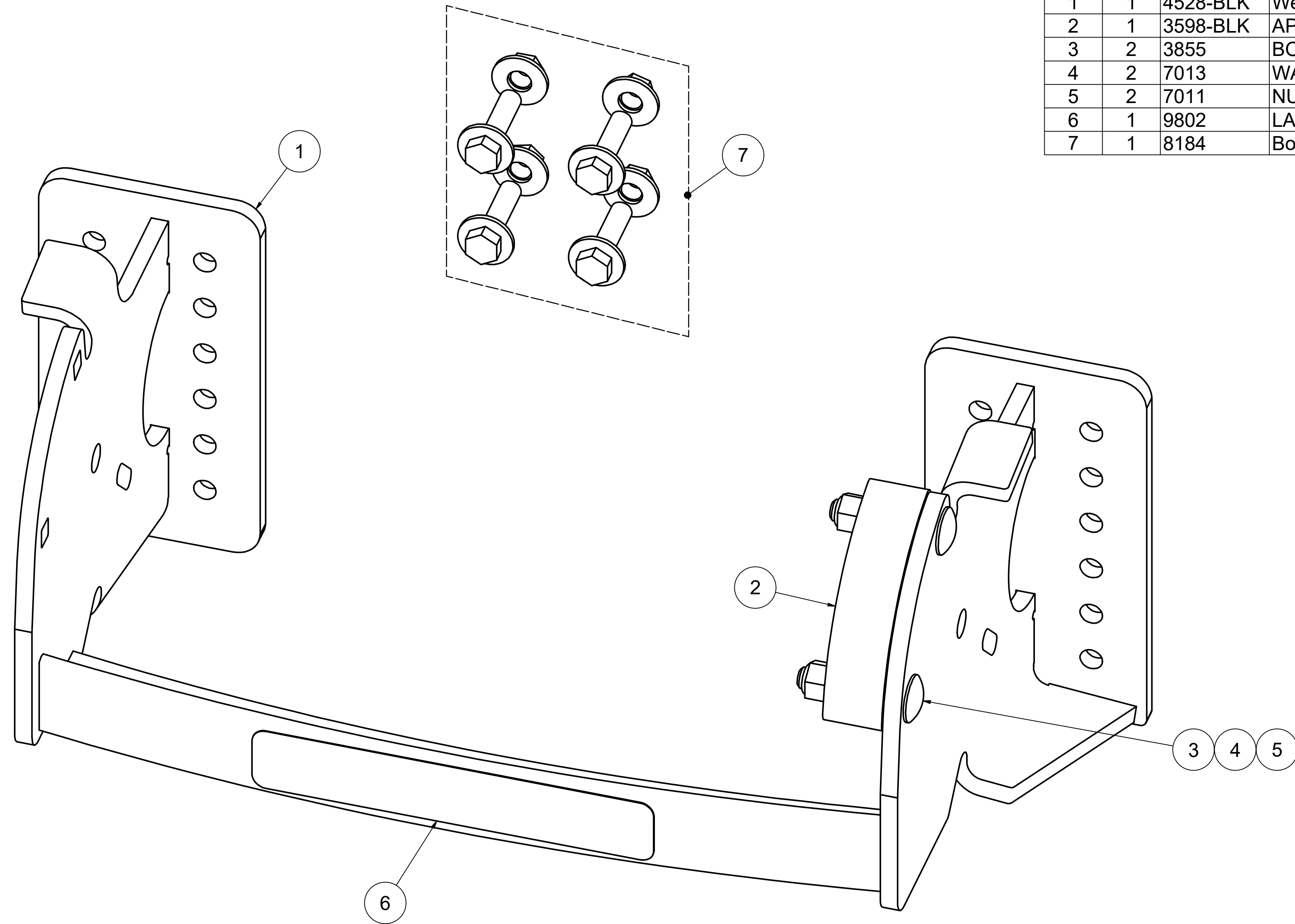


**PARTS LIST - 4-DIGIT P/Ns ARE NOT SET UP FOR SALE. CONTACT SPORTWORKS FOR REPLACEMENT P/Ns**

ITEM	QTY	PART NO	TITLE
1	1	4528-BLK	Weldment, Apex Pivot Plate - Black
2	1	3598-BLK	APEX QUADRANT, BLACK
3	2	3855	BOLT, CARRIAGE, 3/8-16 x 2.00, 18-8 Stainless
4	2	7013	WASHER, FLAT, 3/8 SS
5	2	7011	NUT, NYLOCK 3/8-16 NYLOCK, SS
6	1	9802	LABEL, Sportworks, 7.25 in. x 1.25 in.
7	1	8184	Bolt Kit, BRFB Pivot Plate Attachment



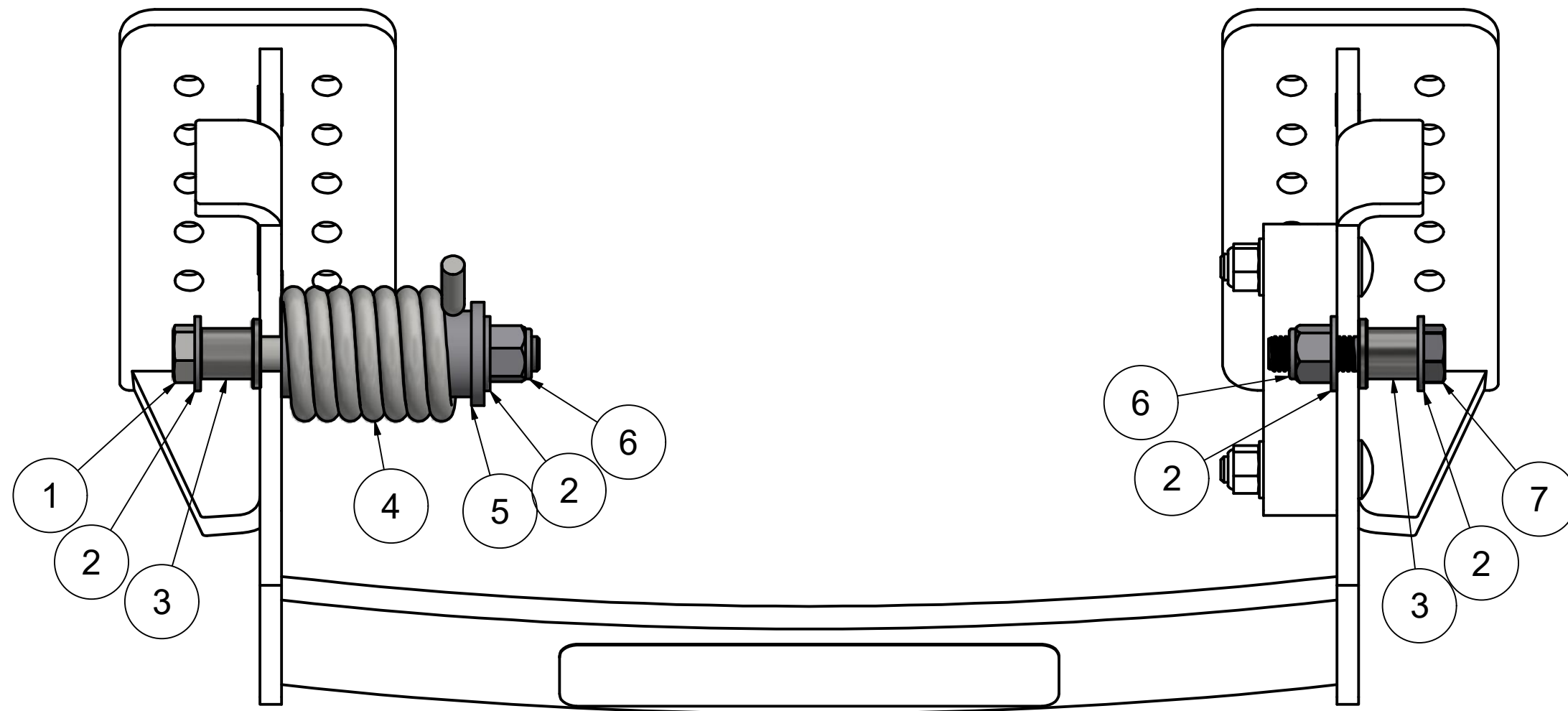
**NOTES**

1. SEE NEXT PAGES FOR PIVOT BOLT STACKS AND OPTIONS.
2. NOTE THAT APEX 2 AND APEX 3 PIVOT PLATES ONLY DIFFER IN THEIR PIVOT BOLT STACKS.

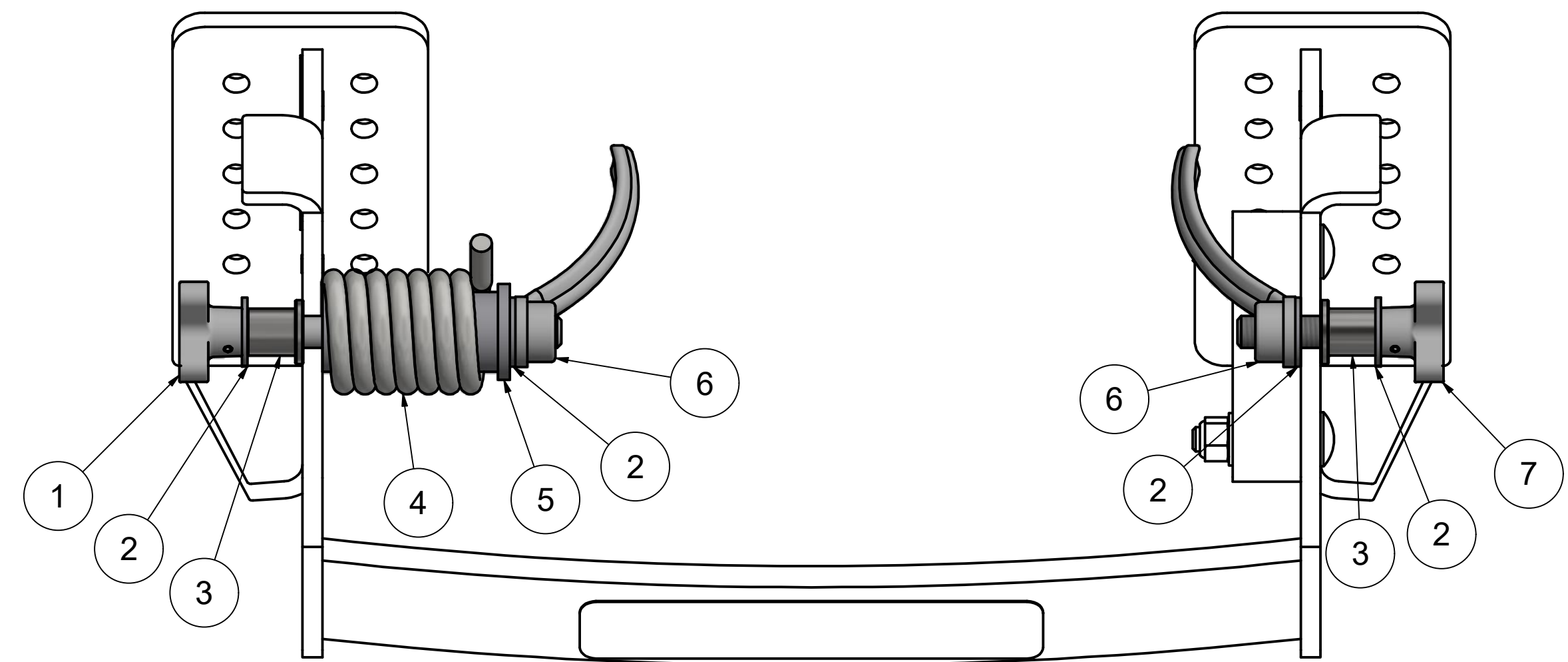
<b>Sportworks Northwest, Inc.</b> 15540 Woodinville-Redmond Rd. NE, Bldg A-200 Woodinville, WA 98072, PH: 425-483-7000, FX: 425-488-9001	TITLE	Apex Pivot Plate Parts and Options Breakdown
	DWG NO.	100947 & 101175
<small>PROPRIETARY: THIS IS PROPRIETARY INFORMATION AND IS NOT TO BE REFERENCED OR DISTRIBUTED WITHOUT PRIOR WRITTEN AUTHORIZATION OF SPORTWORKS NORTHWEST, INC.</small>	REV	A
SIZE C2B	NO DRAWING SCALE	SHEET 1 OF 4

# PIVOT BOLT STACK FOR APEX 3

(INCLUDED IN 100947-XXX)



**STANDARD APEX 3 PIVOT BOLT STACK**



**QUICK RELEASE APEX 3 PIVOT BOLT STACK (-QR OPTION)**

**PARTS LIST - 4-DIGIT P/Ns ARE NOT SET UP FOR SALE. CONTACT SPORTWORKS FOR REPLACEMENT P/Ns**

ITEM	QTY	PART NO	TITLE
1	1	4425	HHCS, 1/2-13 x 5.0, Gr 8, Partial Thread, Zinc II; Domestic
2	4	7023	WASHER, FLAT, 1/2, SAE, Steel, Zinc II
3	2	5240	BEARING, FLANGE, .500 ID x .75 length, STAINLESS
4	1	4475	SPRING, TORSION, APEX Passenger Side
5	1	4535	Weldment, Apex Torsion Spring Mount
6	2	3862	NUT, HEX, 1/2-13, NYLOCK, 18-8 Stainless, Import
7	1	7000	HHCS, 1/2-13 x 2.25, Gr 8 steel, Zinc II, Domestic

**PARTS LIST - 4-DIGIT P/Ns ARE NOT SET UP FOR SALE. CONTACT SPORTWORKS FOR REPLACEMENT P/Ns**

ITEM	QTY	PART NO	TITLE
1	1	4825	Star Knob, Hand, 1/2-13 x 5, Stainless Stud, Al knob
2	4	7023	WASHER, FLAT, 1/2, SAE, Steel, Zinc II
3	2	5240	BEARING, FLANGE, .500 ID x .75 length, STAINLESS
4	1	4475	SPRING, TORSION, APEX Passenger Side
5	1	4535	Weldment, Apex Torsion Spring Mount
6	2	4900	NUT, HANDLE, 1/2"-13, Ductile Iron, Zn plated, with ND Patch, Domestic
7	1	4826	Star Knob, Hand, 1/2-13 x 2.25, Stainless Stud, Al knob

**Sportworks Northwest, Inc.**

15540 Woodinville-Redmond Rd. NE, Bldg A-200  
Woodinville, WA 98072, PH: 425-483-7000, FX: 425-488-9001

PROPRIETARY: THIS IS PROPRIETARY INFORMATION AND IS NOT TO BE REFERENCED OR DISTRIBUTED WITHOUT PRIOR WRITTEN AUTHORIZATION OF SPORTWORKS NORTHWEST, INC.

TITLE

Apex Pivot Plate Parts and Options Breakdown

DWG NO.

**100947 & 101175**

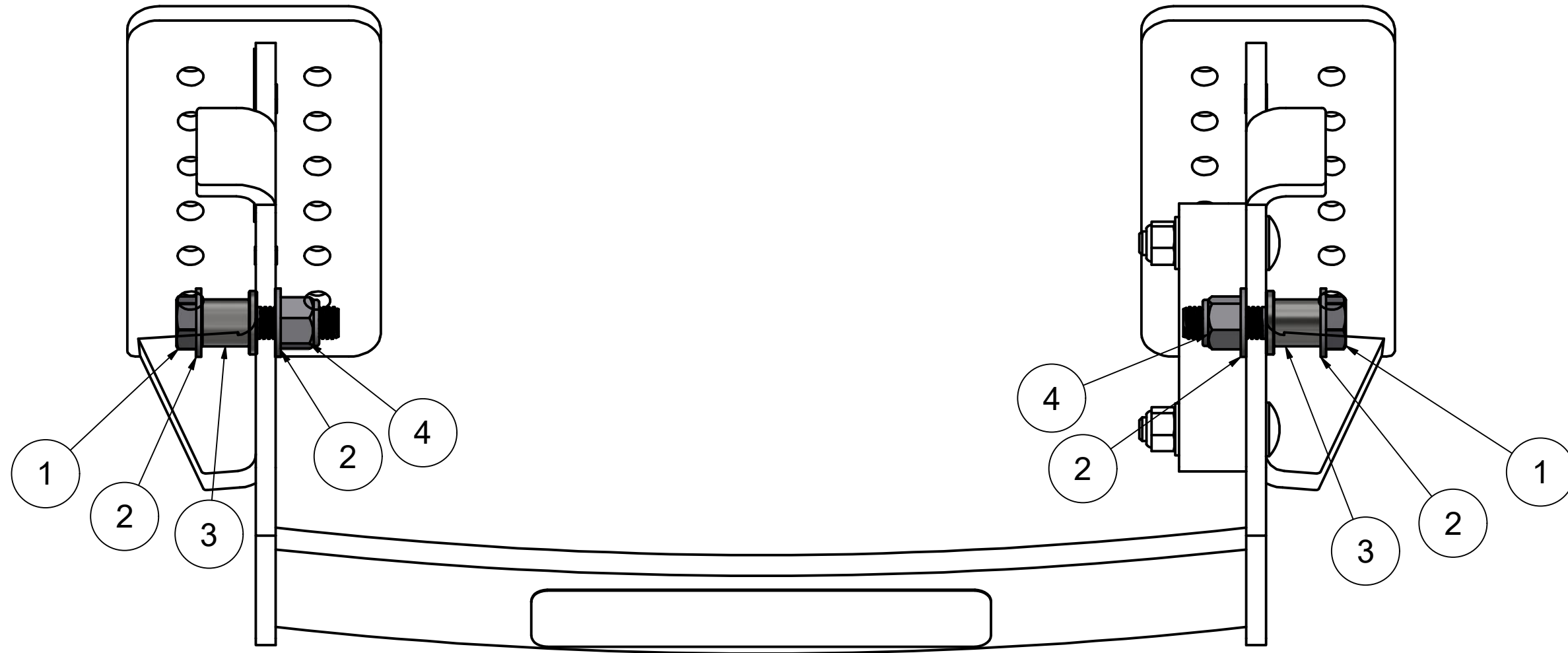
REV

**A**

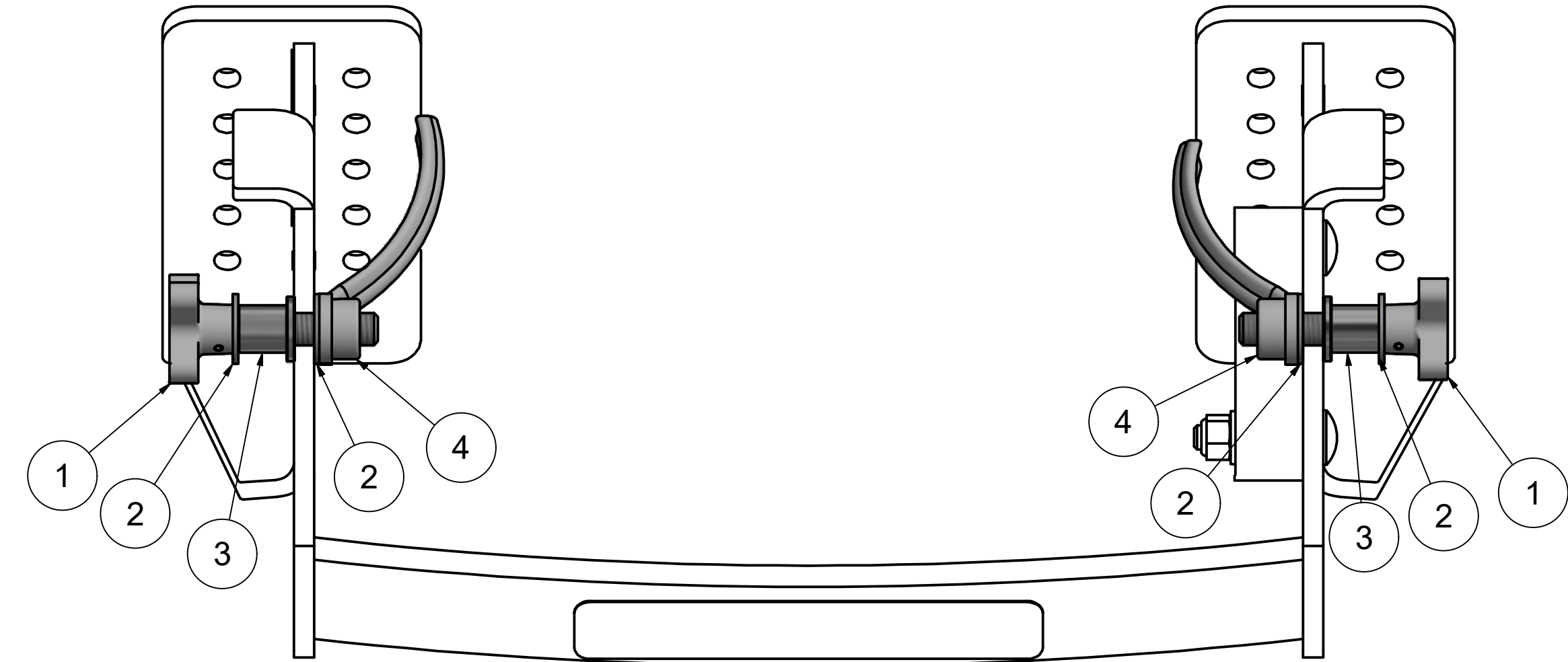
SIZE C2B | NO DRAWING SCALE | SHEET 2 OF 4

# PIVOT BOLT STACK FOR APEX 2

(INCLUDED IN 101175-XXX)



**STANDARD APEX 2 PIVOT BOLT STACK**



**QUICK RELEASE APEX 2 PIVOT BOLT STACK (-QR OPTION)**

**PARTS LIST - 4-DIGIT P/Ns ARE NOT SET UP FOR SALE. CONTACT SPORTWORKS FOR REPLACEMENT P/Ns**

ITEM	QTY	PART NO	TITLE
1	2	7000	HHCS, 1/2-13 x 2.25, Gr 8 steel, Zinc II, Domestic
2	4	7023	WASHER, FLAT, 1/2, SAE, Steel, Zinc II
3	2	5240	BEARING, FLANGE, .500 ID x .75 length, STAINLESS
4	2	3862	NUT, HEX, 1/2-13, NYLOCK, 18-8 Stainless, Import

**PARTS LIST - 4-DIGIT P/Ns ARE NOT SET UP FOR SALE. CONTACT SPORTWORKS FOR REPLACEMENT P/Ns**

ITEM	QTY	PART NO	TITLE
1	2	4826	Star Knob, Hand, 1/2-13 x 2.25, Stainless Stud, Al knob
2	4	7023	WASHER, FLAT, 1/2, SAE, Steel, Zinc II
3	2	5240	BEARING, FLANGE, .500 ID x .75 length, STAINLESS
4	2	4900	NUT, HANDLE, 1/2"-13, Ductile Iron, Zn plated, with ND Patch, Domestic

**Sportworks Northwest, Inc.**

15540 Woodinville-Redmond Rd. NE, Bldg A-200  
Woodinville, WA 98072, PH: 425-483-7000, FX: 425-488-9001

PROPRIETARY: THIS IS PROPRIETARY INFORMATION AND IS NOT TO BE REFERENCED OR DISTRIBUTED WITHOUT PRIOR WRITTEN AUTHORIZATION OF SPORTWORKS NORTHWEST, INC.

TITLE

Apex Pivot Plate Parts and Options Breakdown

DWG NO.

100947 & 101175

REV

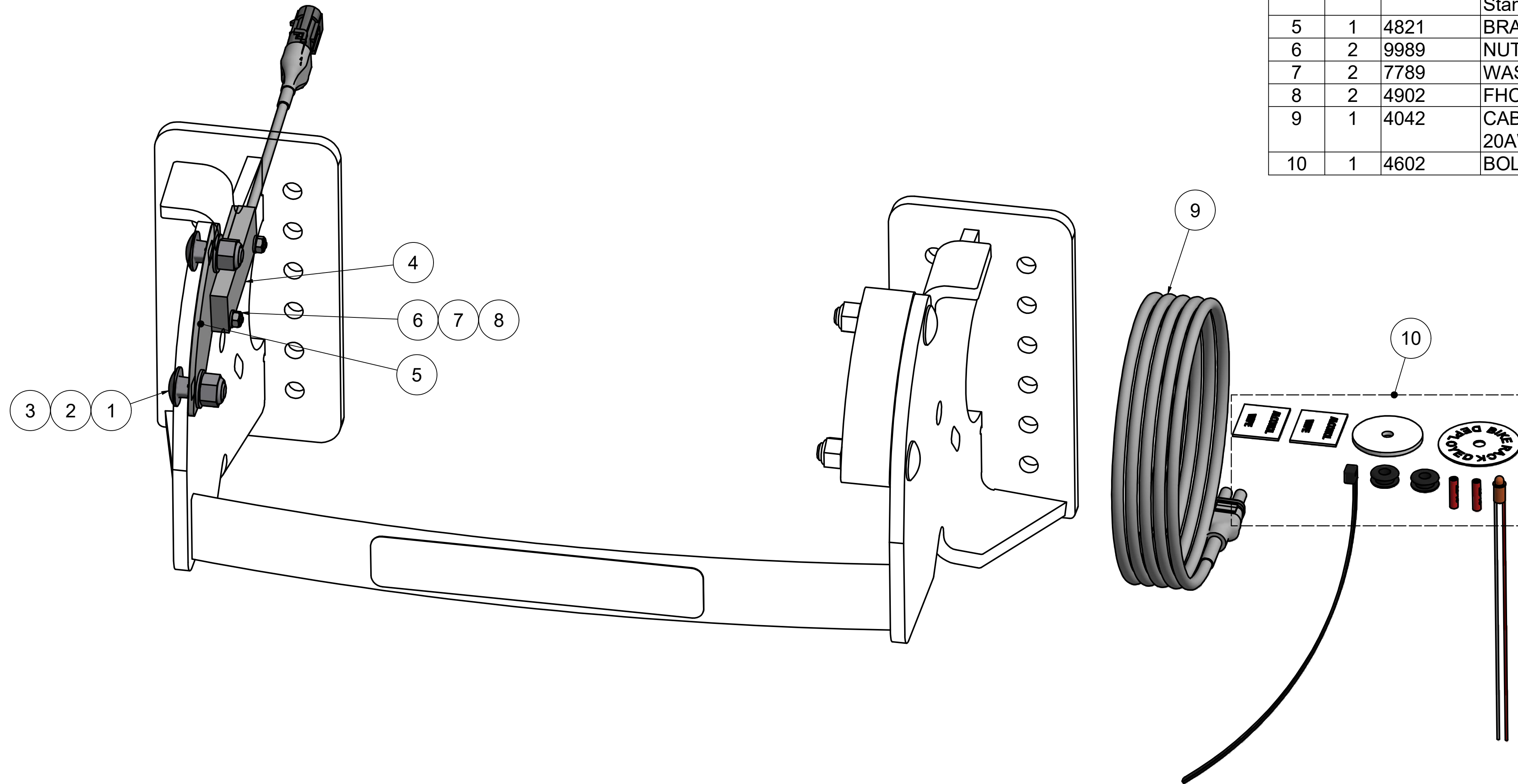
A

SIZE C2B | NO DRAWING SCALE | SHEET 3 OF 4

## -DPLY OPTION (INCLUDED IN 101175-DPLY AND 100945-DPLY)

**PARTS LIST - 4-DIGIT P/Ns ARE NOT SET UP FOR SALE. CONTACT SPORTWORKS FOR REPLACEMENT P/Ns**

ITEM	QTY	PART NO	TITLE
1	2	4882	BOLT, CARRIAGE, 3/8-16 x 1, 18-8 Stainless, Import
2	4	7013	WASHER, FLAT, 3/8 SS
3	4	7011	NUT, NYLOCK 3/8-16 NYLOCK, SS
4	1	4041	Magnetic Switch with Weatherpack Connector - Standard (5 in. pigtail)
5	1	4821	BRACKET, APEX DEPLOYMENT KIT SWITCH
6	2	9989	NUT, HEX, 6-32, NYLOCK, Stainless
7	2	7789	WASHER, FLAT, #6, SAE, Stainless
8	2	4902	FHCS, 6-32 x .75, STAINLESS, Import
9	1	4042	CABLE, 9' with Weatherpack Connector, 20AWG 2 conductor
10	1	4602	BOLT KIT - Deployment Pivot Plate Attachment



### NOTES

1. TO COMPLETE THE DEPLOYMENT SENSOR SYSTEM, THE APEX BIKE RACK MUST ALSO BE SPECIFIED WITH THE -DPLY OPTION

**Sportworks Northwest, Inc.**

15540 Woodinville-Redmond Rd. NE, Bldg A-200  
Woodinville, WA 98072, PH: 425-483-7000, FX: 425-488-9001

PROPRIETARY: THIS IS PROPRIETARY INFORMATION AND IS NOT TO BE REFERENCED OR DISTRIBUTED WITHOUT PRIOR WRITTEN AUTHORIZATION OF SPORTWORKS NORTHWEST, INC.

TITLE

Apex Pivot Plate Parts and Options Breakdown

DWG NO.

**100947 & 101175**

REV

**A**

SIZE C2B | NO DRAWING SCALE | SHEET 4 OF 4