



- Streamlined, modern design
- Superior durability
- Vandal-resistant horizontal tubing
- No Scratch bumper protects bikes from damage
- 2 bicycle per rack capacity
- Wheel and frame lockable; Compatible with various locks including U-locks
- Indoor or outdoor installation
- Versatile design can accommodate virtually any bicycle or scooter
- Made in USA

## Tofino™

No Scratch® ADA-compliant Bike Rack



» MATERIAL AND FINISH:  
The Tofino ADA-compliant bike rack is manufactured of durable ruggedized stainless steel with a bead blast satin finish.

Qty: \_\_\_\_\_

- » MOUNTING OPTIONS:
- Embedded Mount (in-ground into concrete footing)
  - Surface Mount (0.375" x 2" x 6" flat bar foot)
    - Concrete Wedge Anchors
    - Asphalt Anchors
      - Add Tamper-resistant Nuts
  - Mounting Rails (see submittal sheet for options)
    - Concrete Wedge Anchors
    - Asphalt Anchors

**No Scratch® Bumper**  
Protects the bicycle and the rack from scratches and dents; Vandal-resistant and durable.

**ADA-compliant**  
Meets ADA Accessible Design standards for post-mounted objects in circulation paths.

CONTRACTOR: \_\_\_\_\_

PROJECT: \_\_\_\_\_

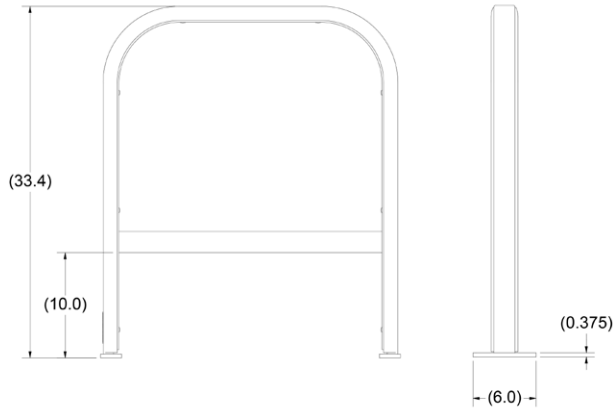
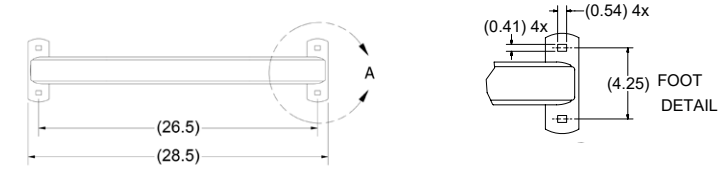
NOTES: \_\_\_\_\_

\_\_\_\_\_

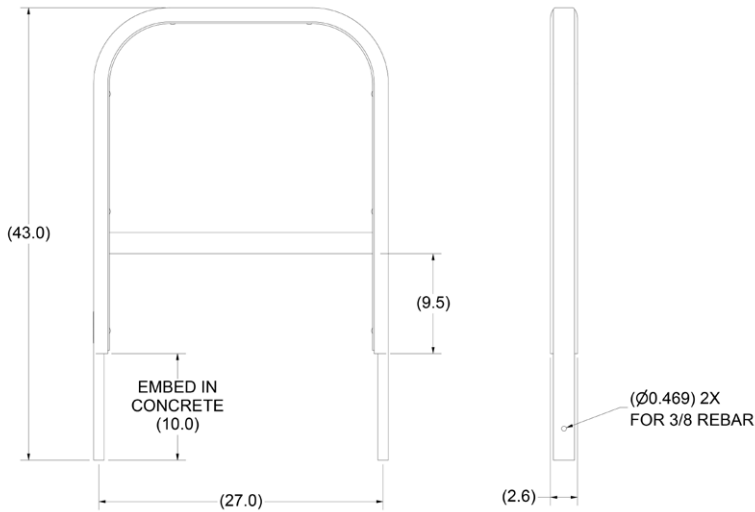
\_\_\_\_\_

# Specifications and Dimensions

## » SURFACE MOUNT



## » EMBEDDED MOUNT



## » STANDARD SPECIFICATIONS

### WEIGHT

Embedded: 39.0 lbs  
Surface: 36.6 lbs

### DIMENSIONS

Outer Tube: 2" x 1" x 0.12"  
Flat Inner Bar: 0.25" x 2"



Secures up to 2 bicycles;  
U-lock compatible



Cane-detectable cross bar; meets  
ADA accessible design standards  
for circulation paths



Compliant with Living Building  
Challenge Criteria, learn more at:  
<https://declare.living-future.org/>



Living Building Challenge  
Red List Chemical Free



Stainless steel model features  
over 87% total recycled content



Made in USA  
Washington State

# Tofino™

No Scratch® ADA-compliant Bike Rack

All measurements are in inches

Features and specifications are subject to change without notice.  
Copyright © 2023 Sportworks Global LLC. All rights reserved.



**sportworks®**  
sportworks.com