

E-Rack: Electrical Installation Instructions

Sportworks E-Rack is equipped with two (2) integrated electrical outlets for charging E-bikes and scooters. These instructions are intended for use by a licensed electrician to connect the E-Rack to a power source. Before installation begins, take note of the following important instructions.

⚠ NOTICE: Ground fault circuit interrupter (GFCI) circuit breaker is required. The unit should be installed by a qualified and licensed electrician. Make all electrical and ground connections in accordance with the National Electrical Code (NEC) and any other applicable laws, regulations, or codes.

⚠ WARNING: For use with UL-Certified devices only. Maximum 15A.

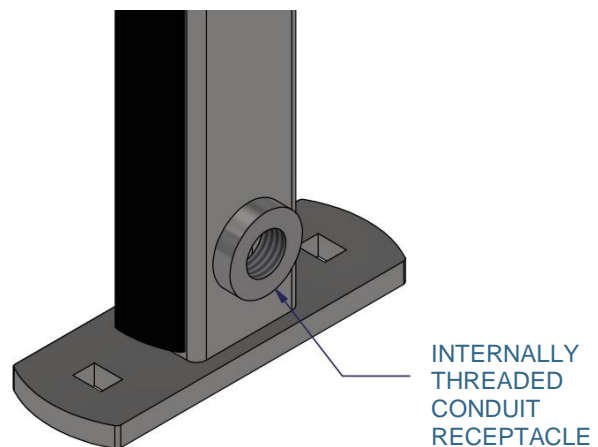
NOTE: Electrical tools and supplies (including conduits, wires, GFCI circuit breaker, grounding screws and a conduit plug) are required for installation. These items are not included with the rack.

To complete installation, follow these steps:

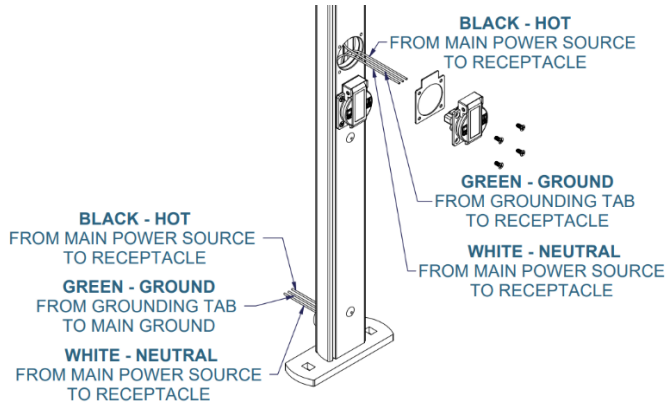
1. Mechanically secure the rack in place. Refer to [Bike Rack Installation Instructions](#) for detailed instructions.

APPLICATION NOTE: Outlets are IP54 rated when not in use. When installed in an exterior location, the rack should be placed in an area that is covered and protected from rain, water, and direct contact with liquids.

2. Using appropriate wiring and conduits for the installation location, route and install the conduits from distribution box to the rack at the 1/2" conduit receptacle.



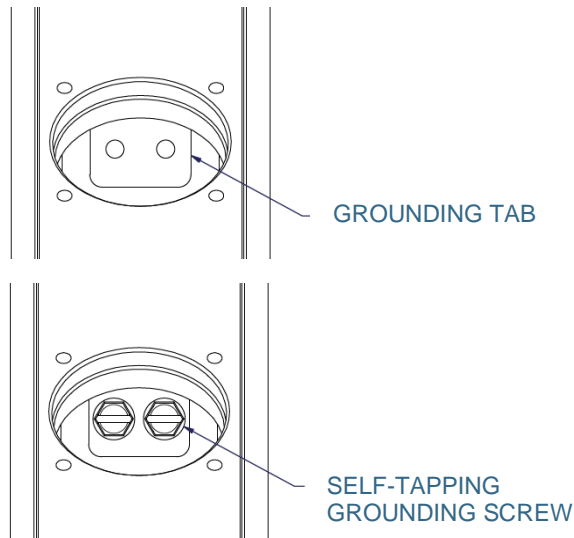
- Route electrical wires from distribution box through conduits, bike rack and receptacle gasket.



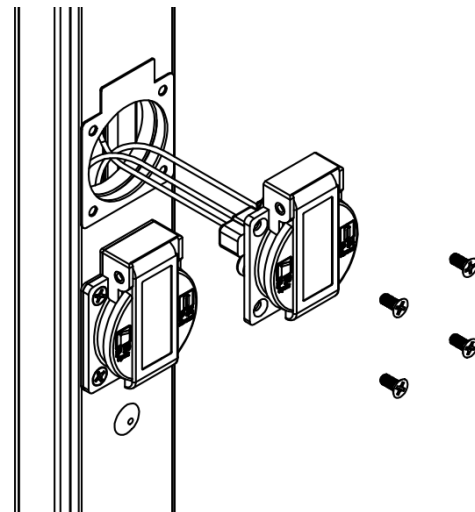
- Connect power, neutral and ground wires to the receptacles.



- Attach ground wires to the bike rack grounding tabs using #10-24 or #10-32 self-tapping screw.



- Reinstall outlet receptacles onto the rack.



- Connect power, neutral, and ground wires from conduit to GFCI circuit breaker (receptacles are rated for 125V/15A max).