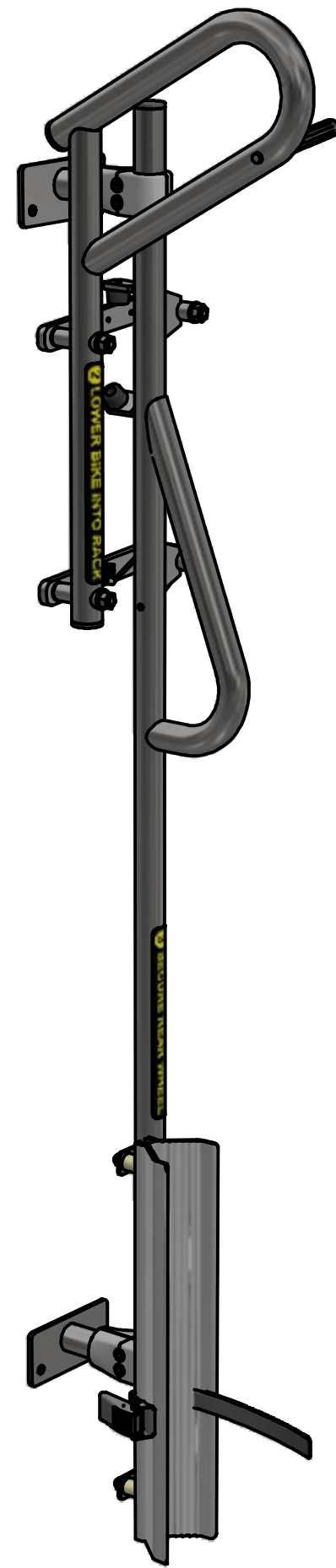


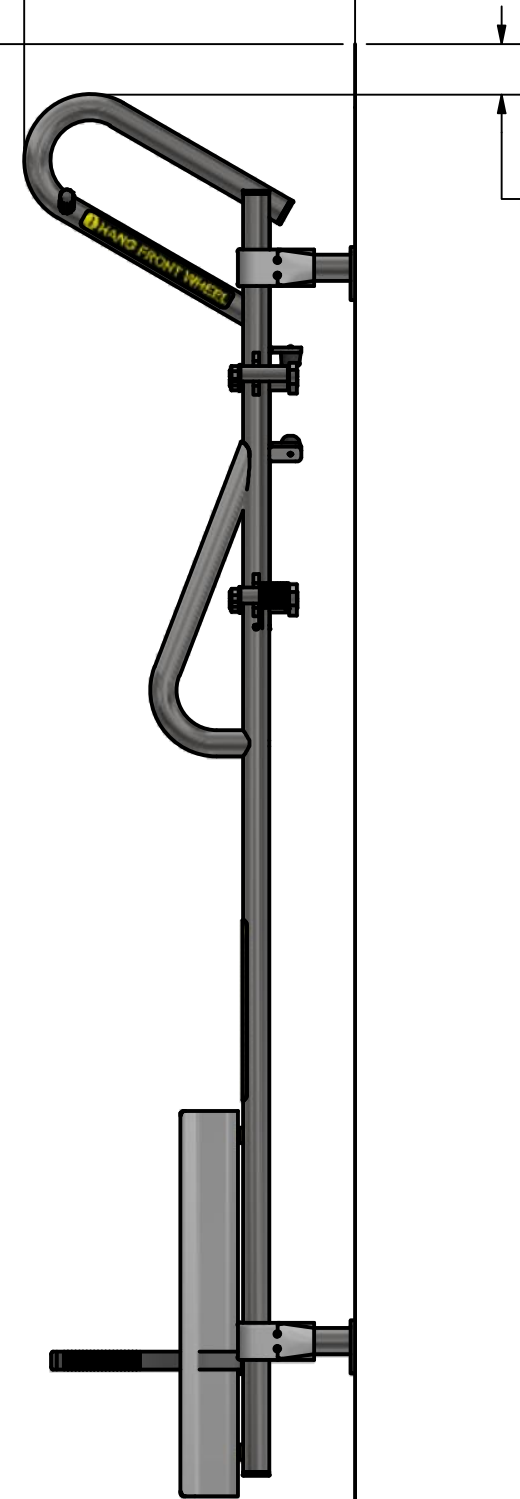
INTERLOCK BIKE RACK

Dimensions and recommended clearances



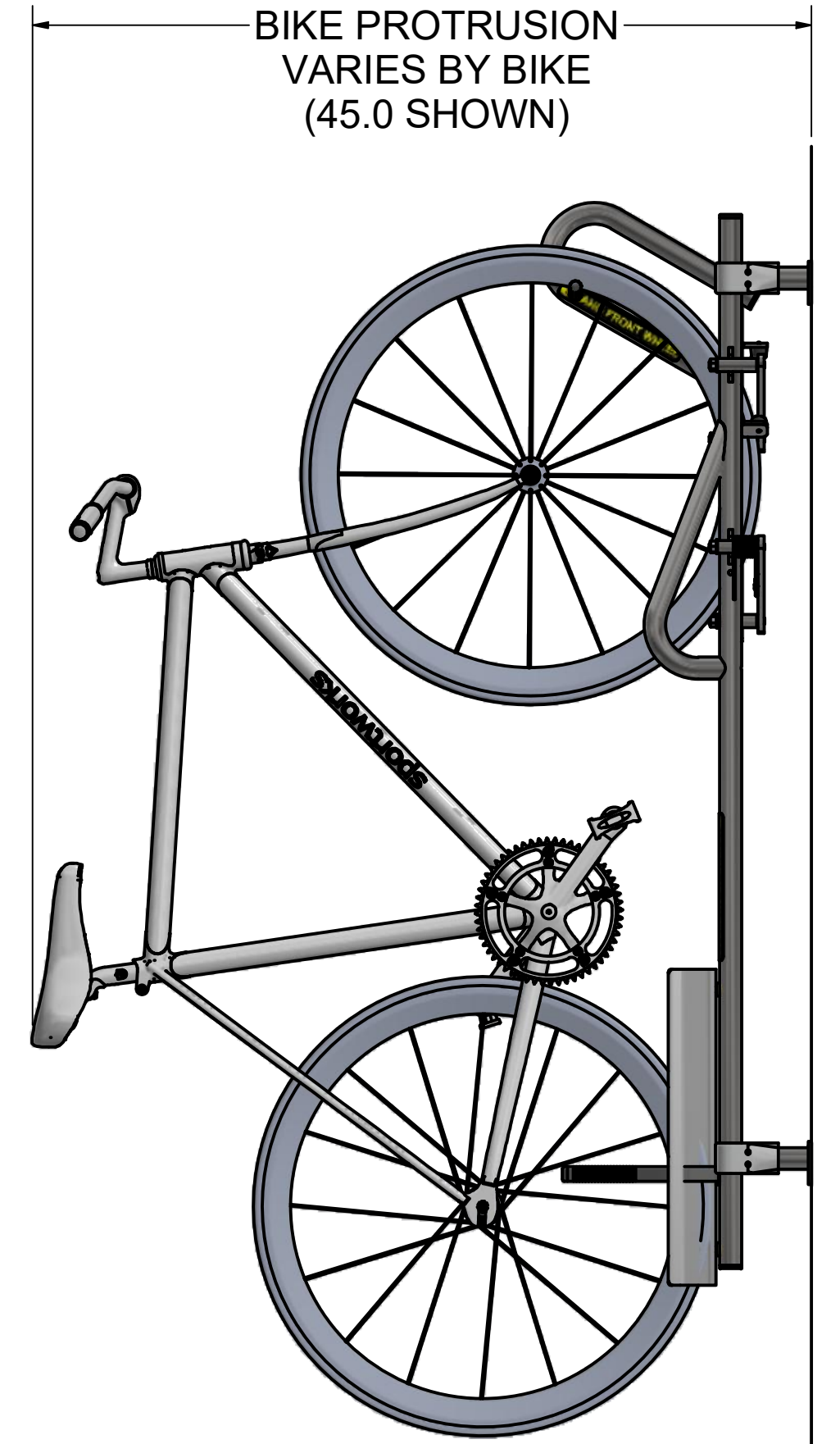
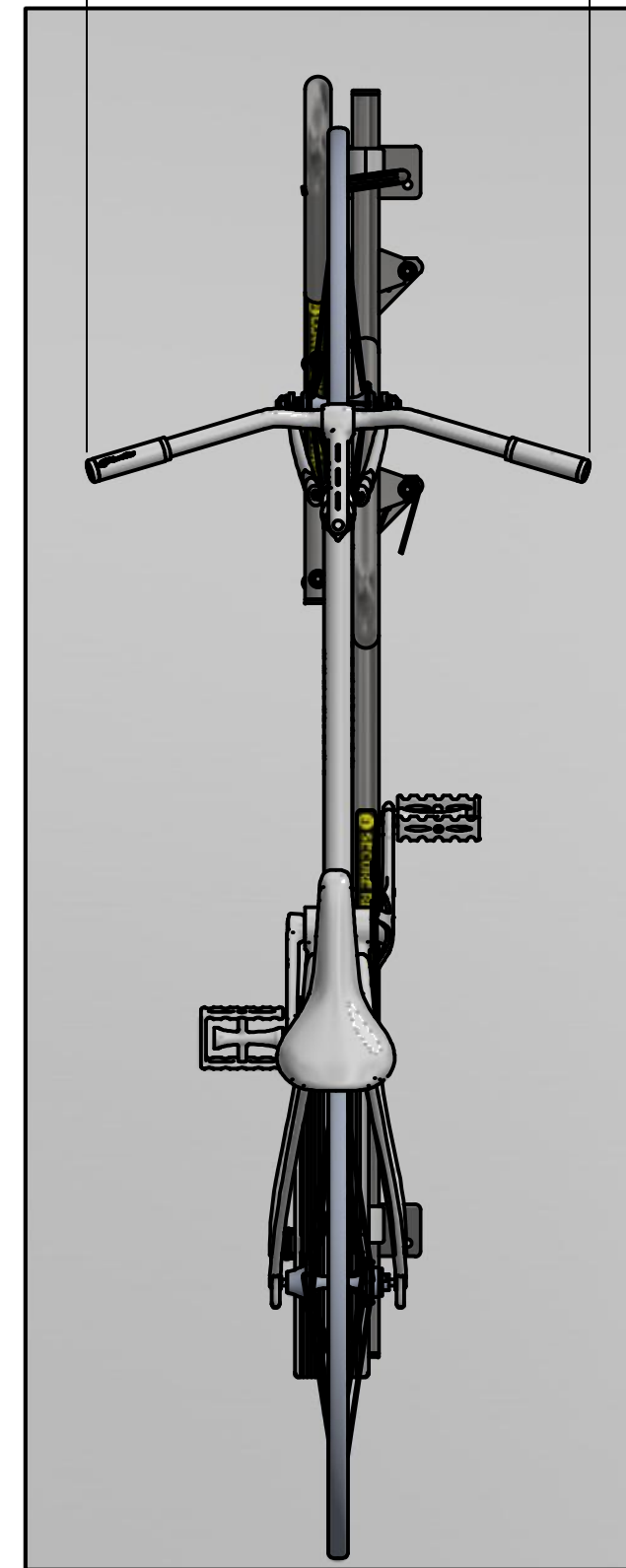
15.7
TYP PROTRUSION

78.0
APPROXIMATE TOTAL
HEIGHT NEEDED



HANDLEBAR ENVELOPE
VARIES BY BIKE
(24.2 SHOWN)

1" MIN. CLEARANCE
2"+ RECOMMENDED



BIKE PROTRUSION
VARIES BY BIKE
(45.0 SHOWN)

NOTES

1. SEE LAST PAGE FOR BICYCLE GEOMETRY USED IN THESE LAYOUTS

Sportworks Northwest, Inc.

15540 Woodinville-Redmond Rd. NE, Bldg A-200
Woodinville, WA 98072, PH: 425-483-7000, FX: 425-488-9001

PROPRIETARY: THIS IS PROPRIETARY INFORMATION AND IS NOT TO BE REFERENCED OR DISTRIBUTED WITHOUT PRIOR WRITTEN AUTHORIZATION OF SPORTWORKS NORTHWEST, INC.

TITLE

InterLock Generic Layout

DWG NO.

InterLock Generic Layout

REV

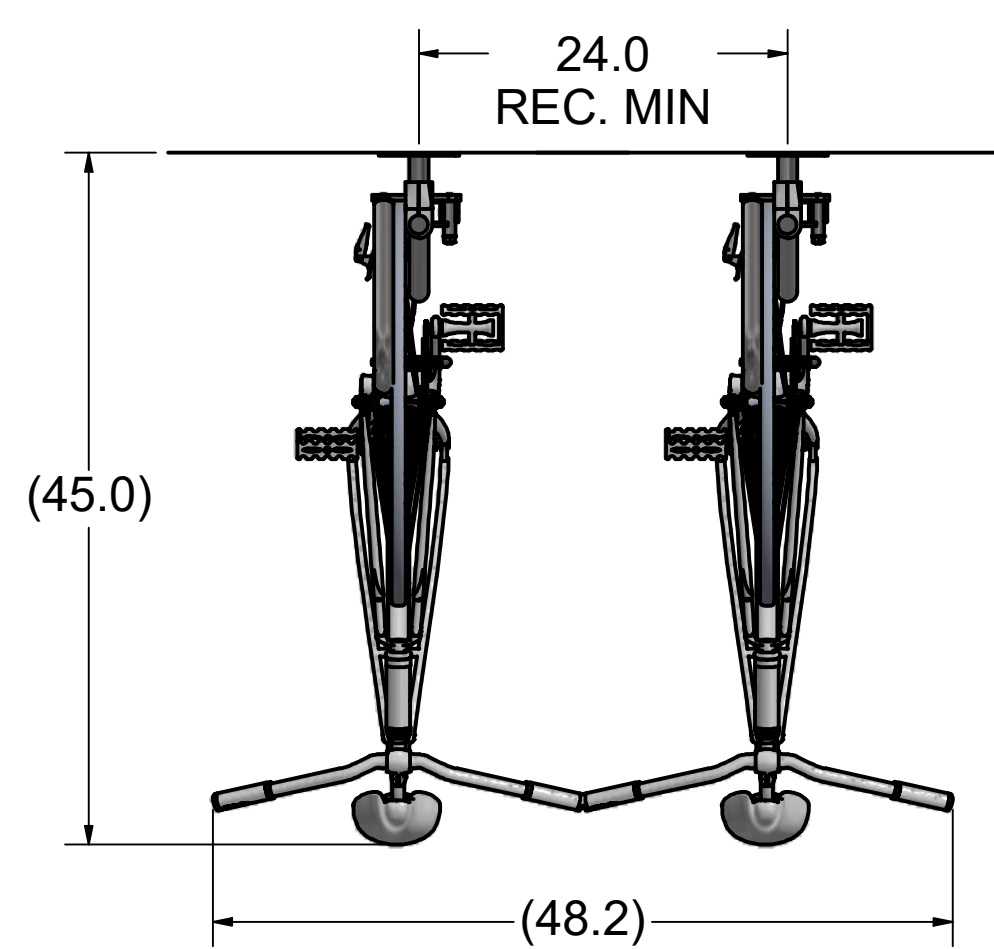
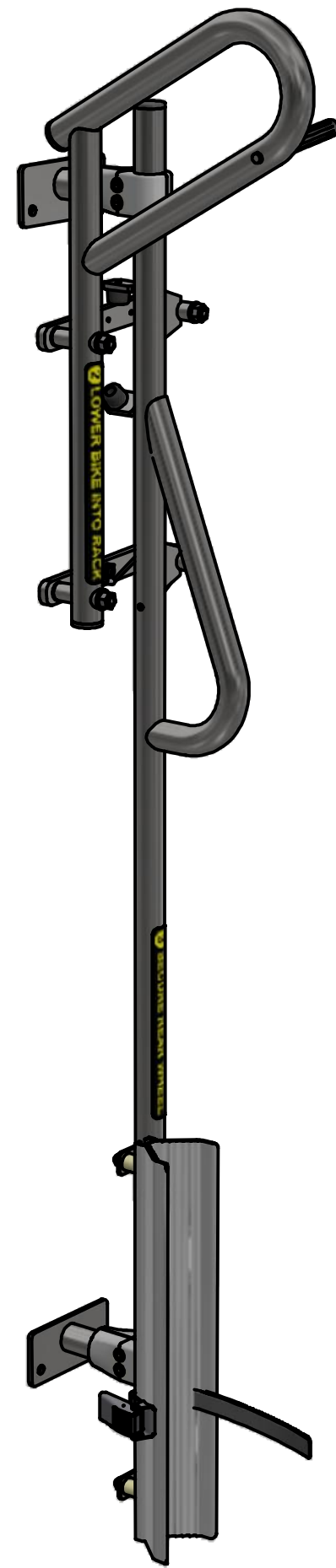
A

SIZE C2B | NO DRAWING SCALE | SHEET 1 OF 3

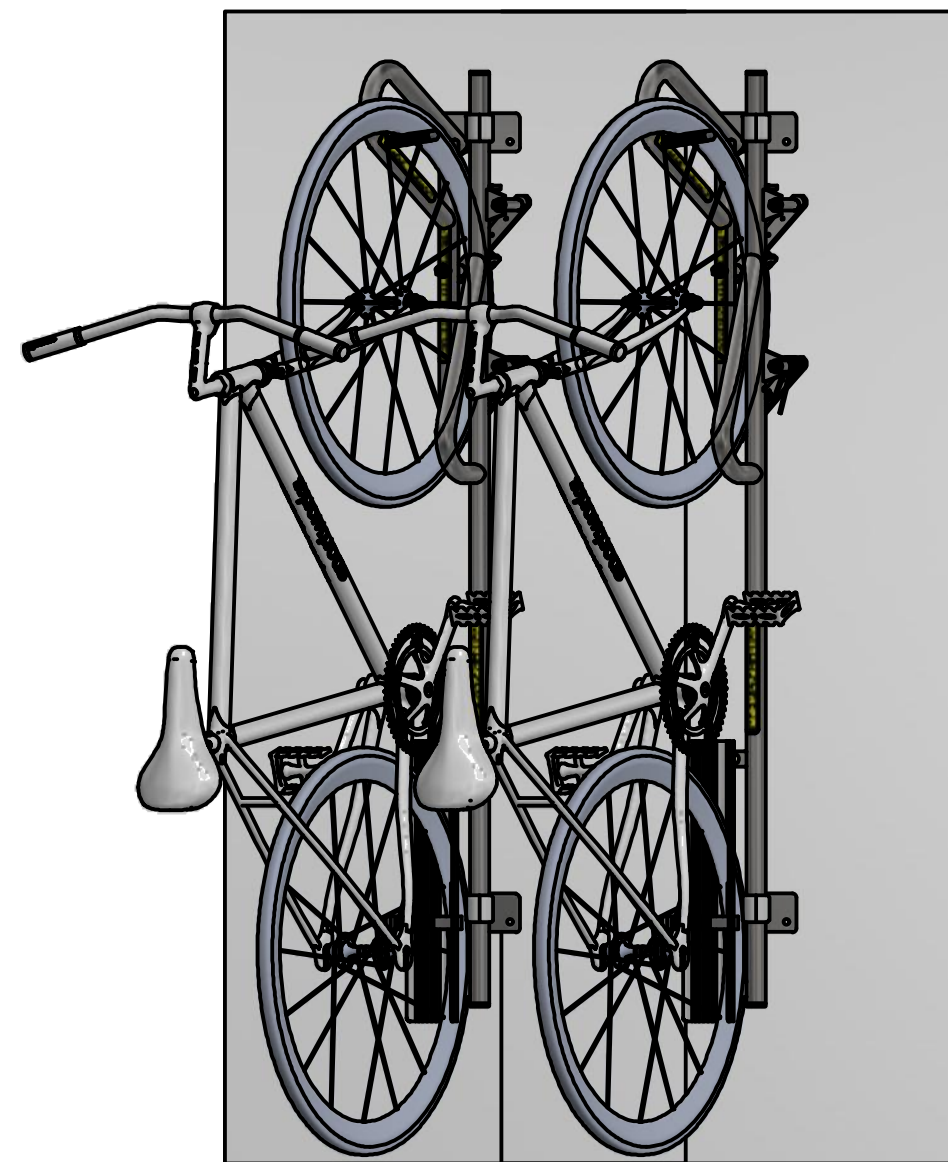
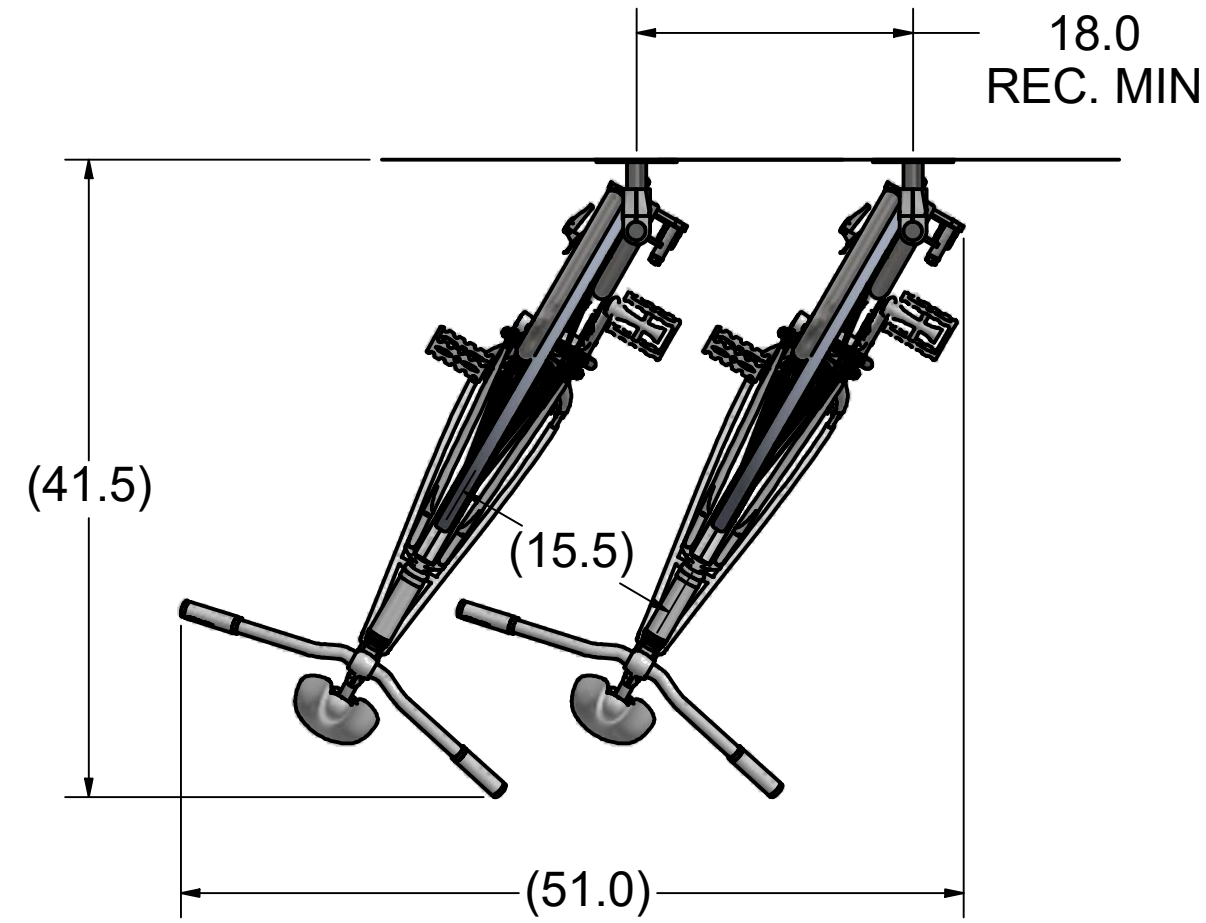
REV	DESCRIPTION	DATE	BY	CHK
A	INITIAL RELEASE	12/10/2018	GMC	JMS

INTERLOCK BIKE RACK

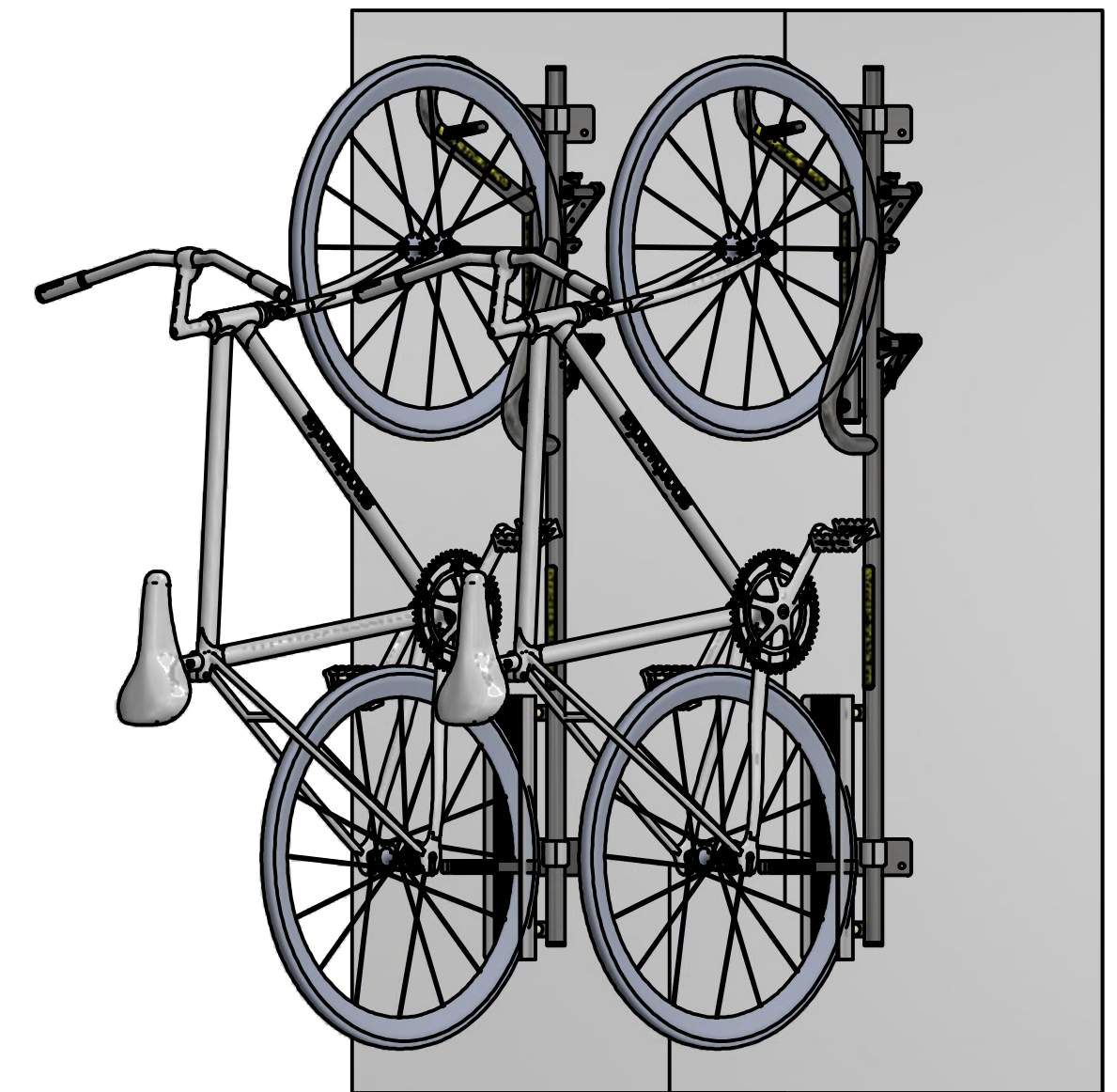
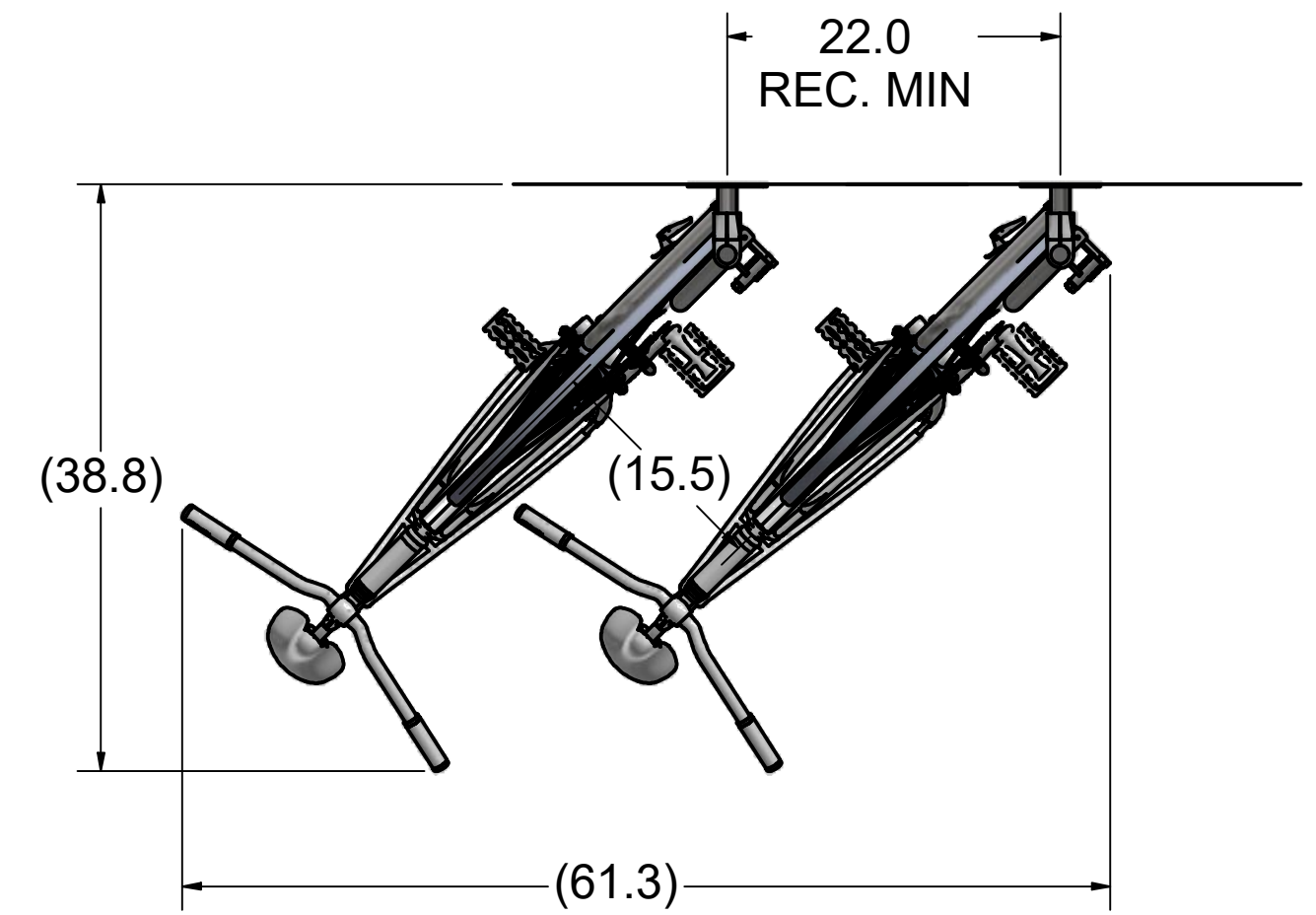
Envelope and spacing details when installed at different angles relative to the wall.



**MOUNTED 90°
FROM WALL**



**MOUNTED 60°
FROM WALL**



**MOUNTED 45°
FROM WALL**

NOTES

1. VERTICAL STAGGER NOT RECOMMENDED DUE TO LOADING MOTION

Sportworks Northwest, Inc.

15540 Woodinville-Redmond Rd. NE, Bldg A-200
Woodinville, WA 98072, PH: 425-483-7000, FX: 425-488-9001

PROPRIETARY: THIS IS PROPRIETARY INFORMATION AND IS NOT TO BE REFERENCED OR DISTRIBUTED WITHOUT PRIOR WRITTEN AUTHORIZATION OF SPORTWORKS NORTHWEST, INC.

TITLE

InterLock Generic Layout

DWG NO.

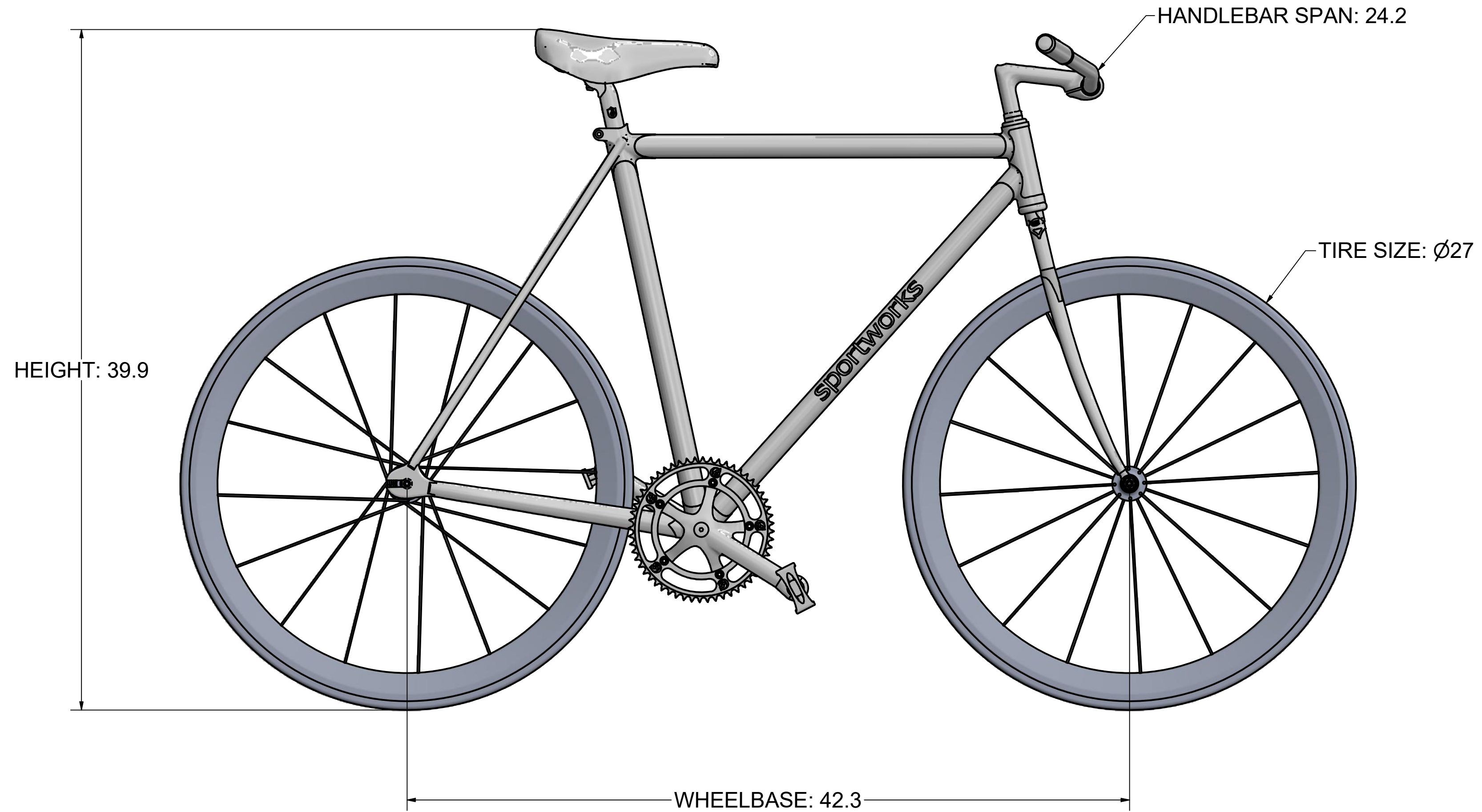
InterLock Generic Layout

REV

A

SIZE C2B | NO DRAWING SCALE | SHEET 2 OF 3

BIKE GEOMETRY USED IN THESE LAYOUTS



Sportworks Northwest, Inc. 15540 Woodinville-Redmond Rd. NE, Bldg A-200 Woodinville, WA 98072, PH: 425-483-7000, FX: 425-488-9001	TITLE InterLock Generic Layout	
	DWG NO. InterLock Generic Layout	REV A
<small>PROPRIETARY: THIS IS PROPRIETARY INFORMATION AND IS NOT TO BE REFERENCED OR DISTRIBUTED WITHOUT PRIOR WRITTEN AUTHORIZATION OF SPORTWORKS NORTHWEST, INC.</small>		
SIZE C2B	NO DRAWING SCALE	SHEET 3 OF 3