



- High density - up to 40% better than traditional horizontal racks
- 2 bicycle per rack capacity
- Versatile design has superior stability with secure wheel-wells, and is ideal for maintaining organized parking for bike rooms, playgrounds, and parks
- No Scratch bumper protects bikes and the rack from damage
- Wheel and frame lockable; Compatible with various locks including U-locks
- Fat-tire compatible, supporting wheels up to 4.8" wide
- Made in USA

# Omnium™

## No Scratch® Bike Rack



- » MATERIAL AND FINISH OPTIONS:
- Stainless Steel (Bead Blast Satin), Qty: \_\_\_\_\_
  - Mild Steel, Qty: \_\_\_\_\_
    - Hot Dipped Galvanized
    - Powder Coat, Color: \_\_\_\_\_
    - Thermoplastic (Plascoat®)\*, Color: \_\_\_\_\_

- » MOUNTING OPTIONS:
- Embedded Mount (in-ground into concrete footing)
  - Surface Mount (0.375" x 2" x 6" flat bar foot)
    - Concrete Wedge Anchors
    - Asphalt Anchors
      - Add Tamper-resistant Nuts

### No Scratch® Bumper

Protects the bicycle and the rack from scratches and dents; Vandal-resistant and durable.

### Ultra Stable

Wheel-wells keep bikes secure and stable - ideal for short term parking for interior or exterior locations.







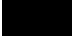


CONTRACTOR: \_\_\_\_\_

PROJECT: \_\_\_\_\_

NOTES: \_\_\_\_\_

\_\_\_\_\_

\_\_\_\_\_

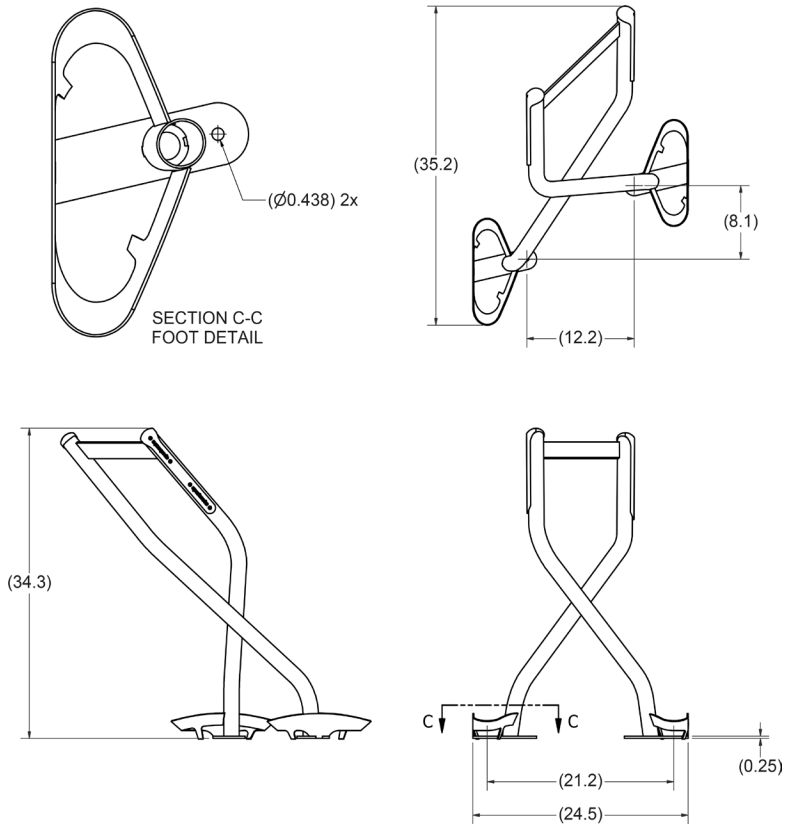
	White		Dk. Blue*		Green
	Silver		Blue		Yellow
	Black		Brown		Red

\* Dark Blue not available in Plascoat

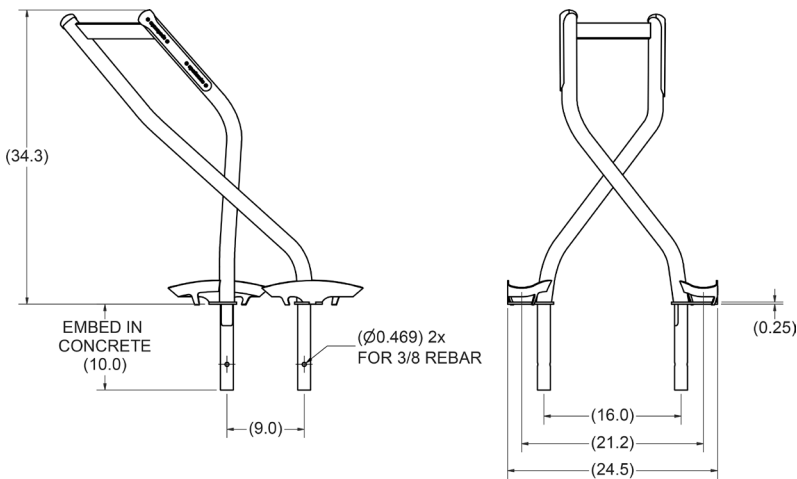
Plascoat is a registered trademark of Axalta Coating Systems, LLC and/or its affiliates

# Specifications and Dimensions

## » SURFACE MOUNT



## » EMBEDDED MOUNT



## » STANDARD SPECIFICATIONS

### WEIGHT

Embedded: 35.8 lbs  
Surface: 32.8 lbs

### DIMENSIONS

Support Legs: 1.75" x 0.83" Tube  
Crossbar: 0.25" Plate  
Wheel Trays: 0.125" Plate  
Surface Mount: 0.375" x 2" x 6" flat bar foot



Secures up to 2 bicycles;  
U-lock compatible



Compliant with Living Building  
Challenge Criteria, Learn more:  
<https://declare.living-future.org/>



Living Building Challenge  
Red List Chemical Free



Stainless steel models feature  
over 87% total recycled content



Made in USA  
Washington State

# Omnium™

No Scratch® Bike Rack



All measurements are in inches

Features and specifications are subject to change without notice.  
Copyright © 2024 Sportworks Global LLC. All rights reserved.

**sportworks**<sup>®</sup>  
sportworks.com