



Post Bicycle Rack

Capacity: 2  Warranty: 1 Year

- » Space efficient design perfect for narrow spaces and sidewalks
- » U-Lock compatible
- » Custom colors available
- » APBP compliant

Product Specifications

Materials:

- » Stainless Steel or Mild Steel
 - » Center Post: Ø2" pipe
 - » Side Hoops: Ø1.5" x 0.120" wall tube
 - » Mounting Foot 0.375" flat bar

Finishing Options:

- Stainless Steel Bead Blast Satin (recommended)
- Stainless Steel Powder Coat
- Stainless Steel Thermoplastic (Plascoat)
- Mild Steel Hot Dipped Galvanized
- Mild Steel Powder Coat
- Mild Steel Thermoplastic (Plascoat)

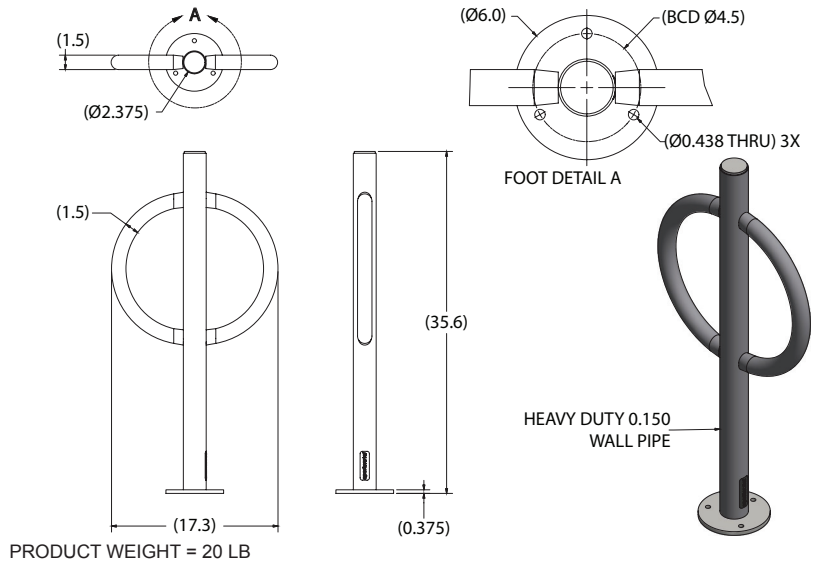
Mounting Options:

- Surface Mount: 6" Diameter flat bar foot
- Embedded: In-Ground Mount into concrete footing

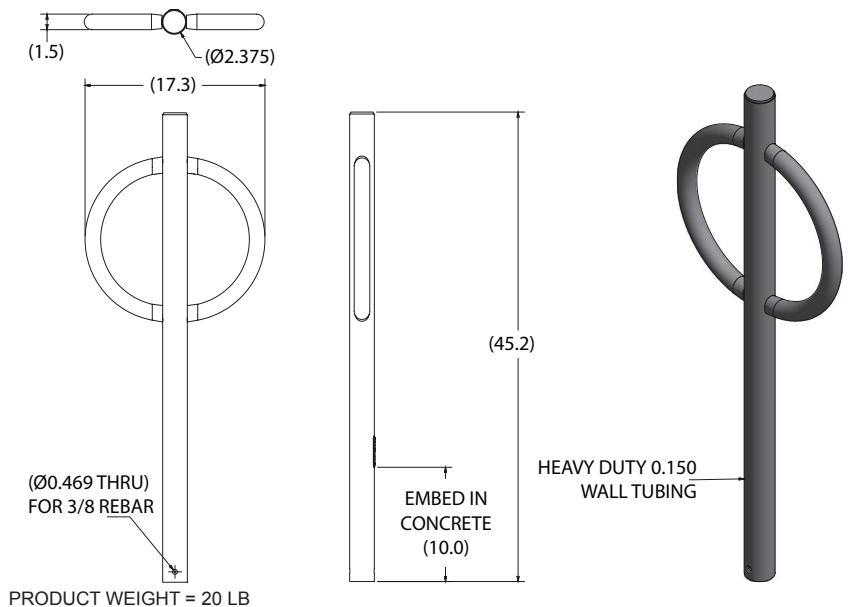
Hardware Options:

- Concrete Wedge Anchors (standard)
 - + Tamper Resistant Nuts (recommended)
- *For other hardware options contact our sales and support staff.

Surface Mount Dimensions



Embedded Mount Dimensions

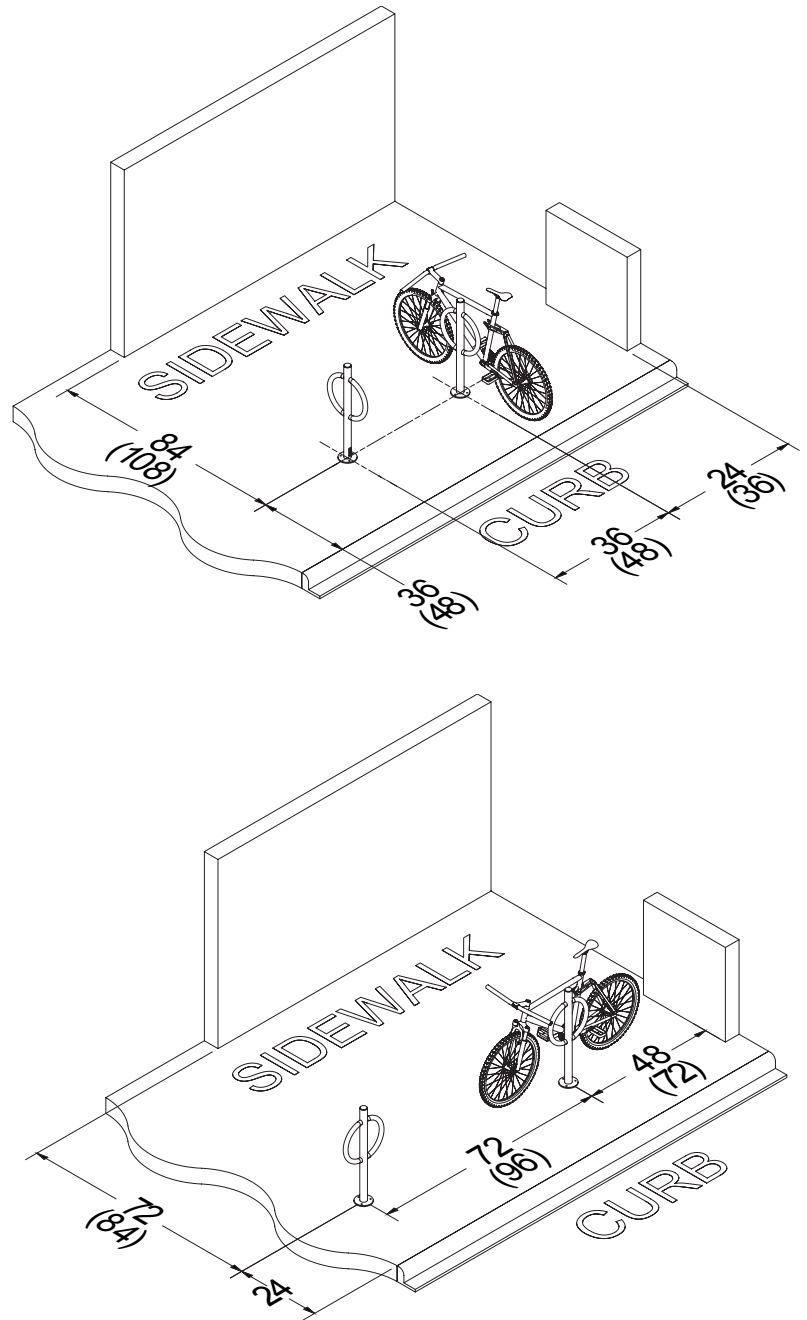
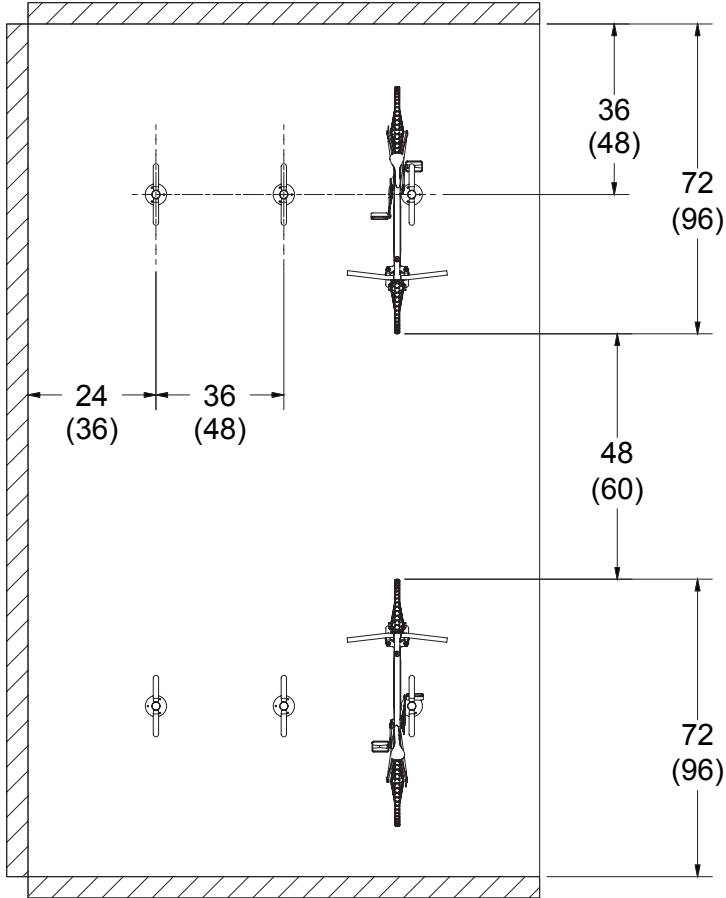


* All dimensions are in inches

Spacing and Setbacks

*Many local governments will specify minimum spacing and setback requirements

**All dimensional drawings are in inches. Minimum dimensions are placed above the recommended dimensions. Recommended dimensions are in ().



Powder Coat Options:

*All colors are available in both Powder Coat and Thermoplastic (Plascoat) except for Dark Blue. Dark Blue is only available as a powder coat color.

White	Silver	Black	*Dark Blue	Royal Blue	DOT Green	Brown	Yellow	Red
-------	--------	-------	------------	------------	-----------	-------	--------	-----

Contractor: _____

Job: _____

Notes: _____

Contact Information:

888-661-0555
sales@sportworks.com
www.sportworks.com

15540 Woodinville Redmond Rd
 NE, Bldg A-200,
 Woodinville, WA 98072

