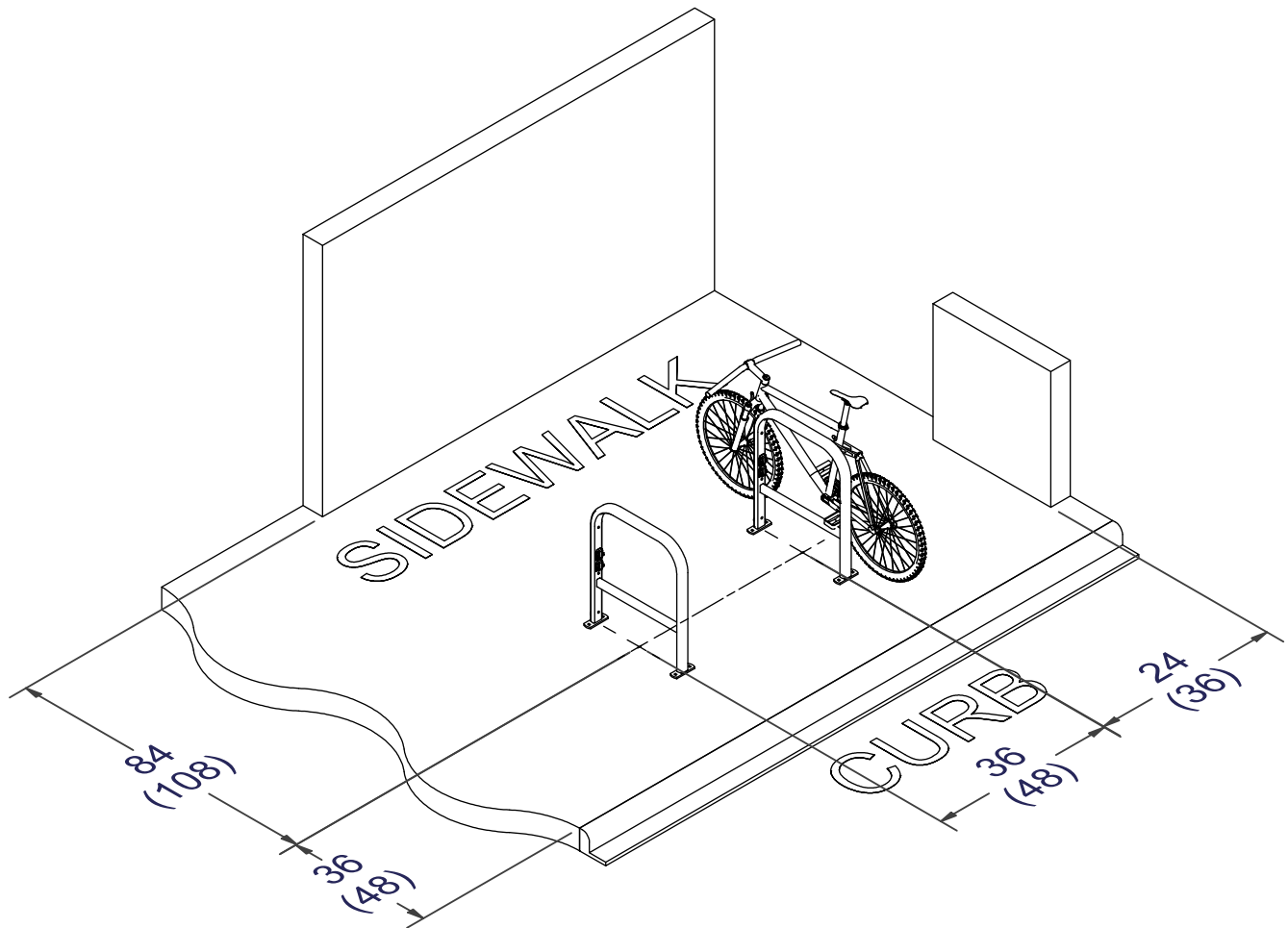


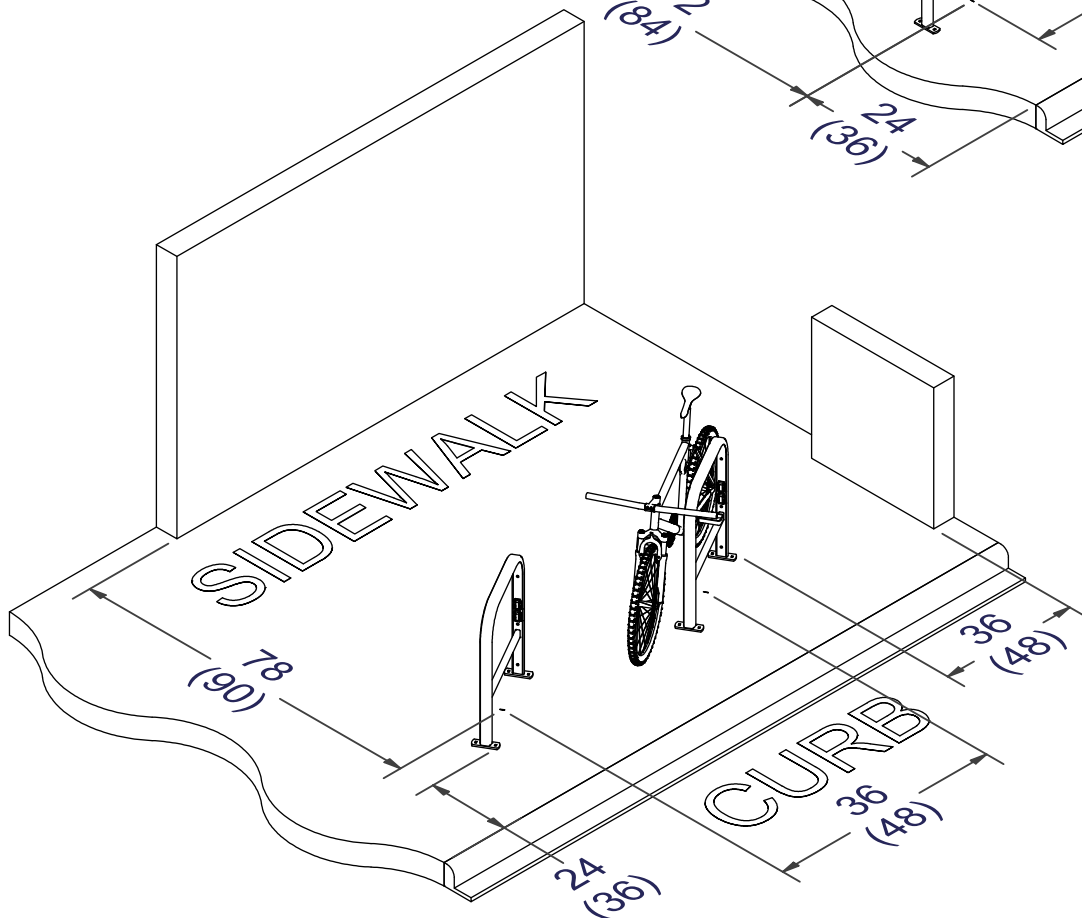
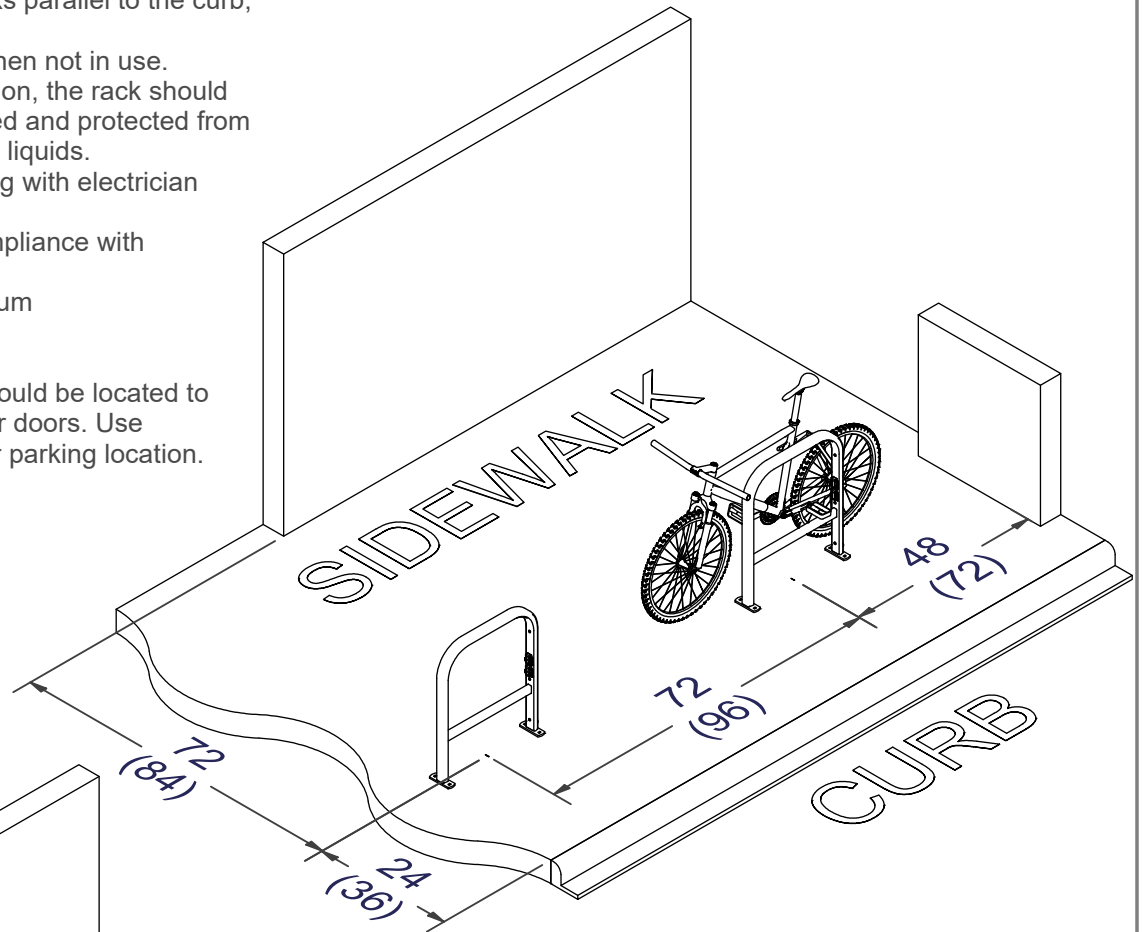
NOTE:

1. Charging outlets are IP54 rated when not in use. When installed in an exterior location, the rack should be placed in an area that is covered and protected from rain, water, and direct contact with liquids.
2. Confirm orientation of conduit fitting with electrician prior to install.
3. Recommended dimensions in compliance with APBP Bicycle Parking Guidelines.
4. Dimensional format shown: Minimum (Recommended).
5. All dimensions are in inches.



NOTE:

1. When a minimum distance of 72" between sidewalk and curb is not available, and/or longer bicycles need to be parked, such as cargo, tandem, or bicycles with trailers, consider orienting the racks parallel to the curb, or at an angle.
2. Charging outlets are IP54 rated when not in use. When installed in an exterior location, the rack should be placed in an area that is covered and protected from rain, water, and direct contact with liquids.
3. Confirm orientation of conduit fitting with electrician prior to install.
4. Recommended dimensions in compliance with APBP Bicycle Parking Guidelines.
5. Dimensional format shown: Minimum (Recommended).
6. All dimensions are in inches.
7. Racks adjacent to auto parking should be located to minimize conflicts with opening car doors. Use recommended distance (36) to car parking location.



- NOTE:**
1. Charging outlets are IP54 rated when not in use. When installed in an exterior location, the rack should be placed in an area that is covered and protected from rain, water, and direct contact with liquids.
 2. Confirm orientation of conduit fitting with electrician prior to install.
 3. Recommended dimensions in compliance with APBP Bicycle Parking Guidelines.
 4. Dimensional format shown: Minimum (Recommended).
 5. All dimensions are in inches.
 6. Racks adjacent to auto parking should be located to minimize conflicts with opening car doors. Use recommended distance (36) to car parking location.

