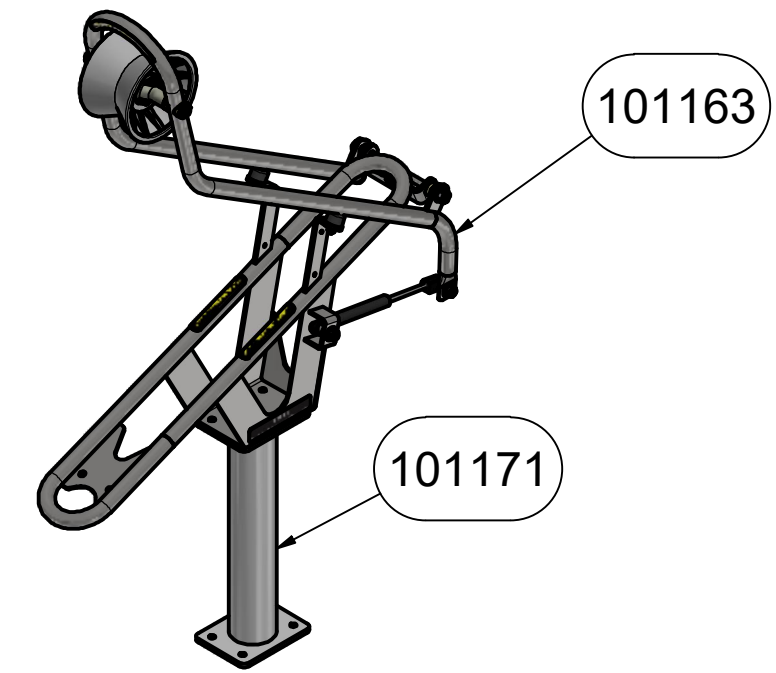
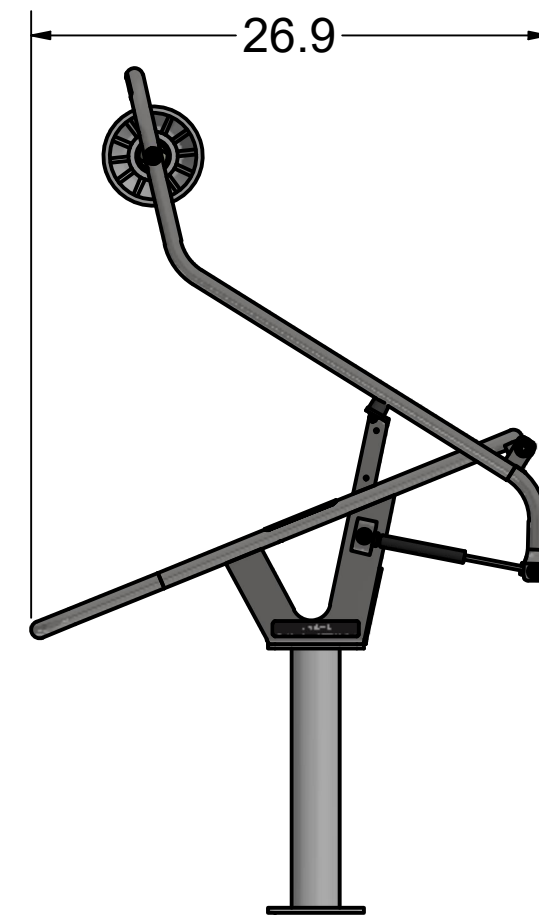
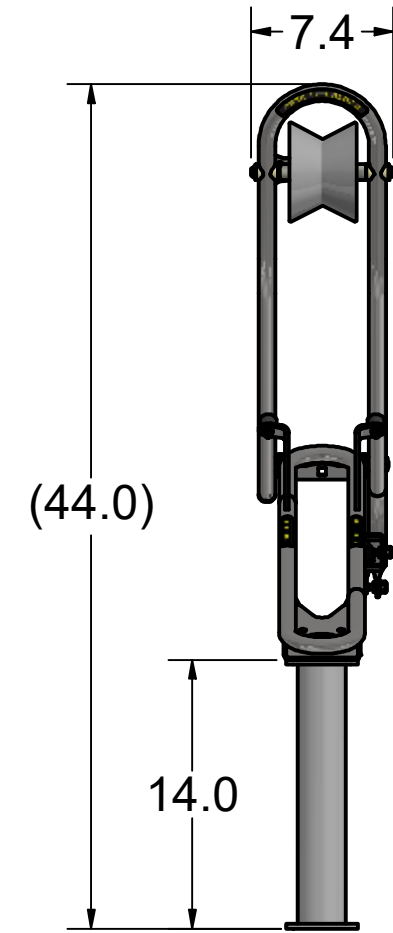
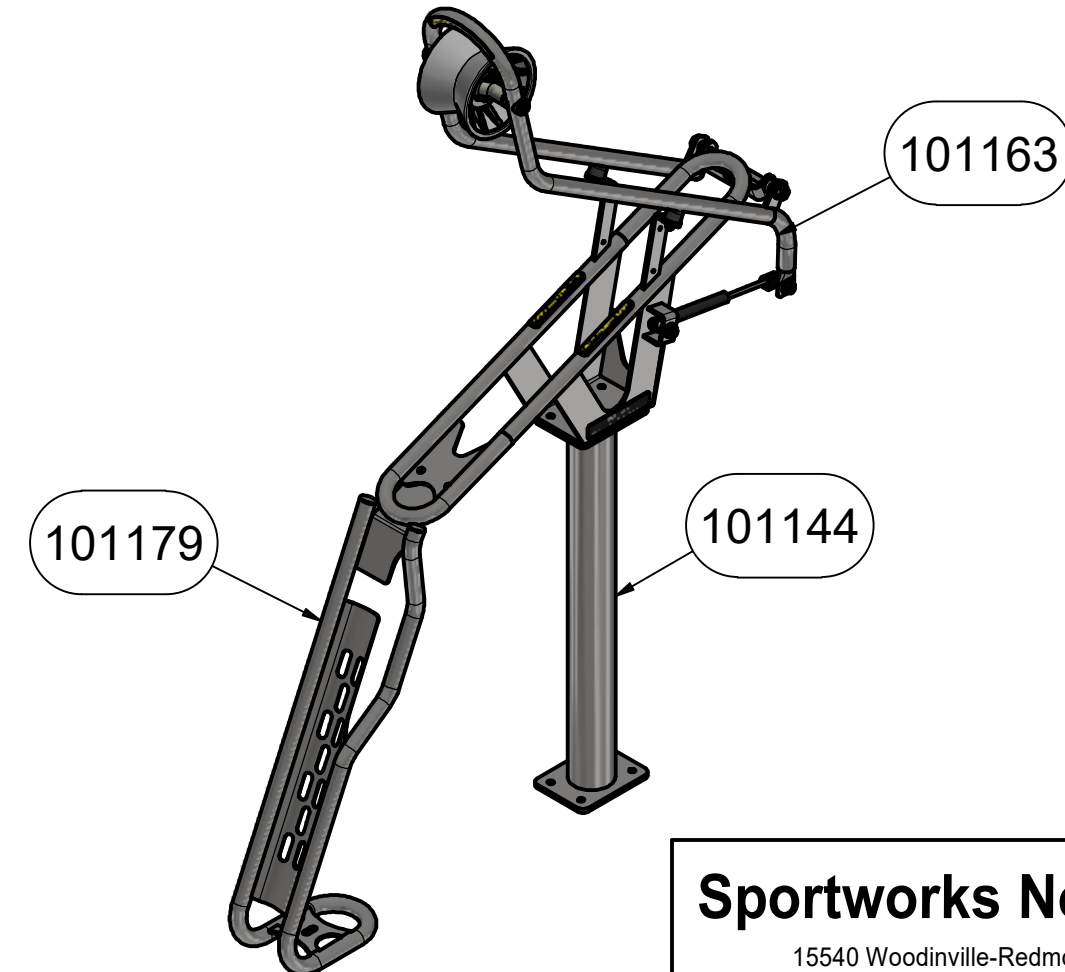
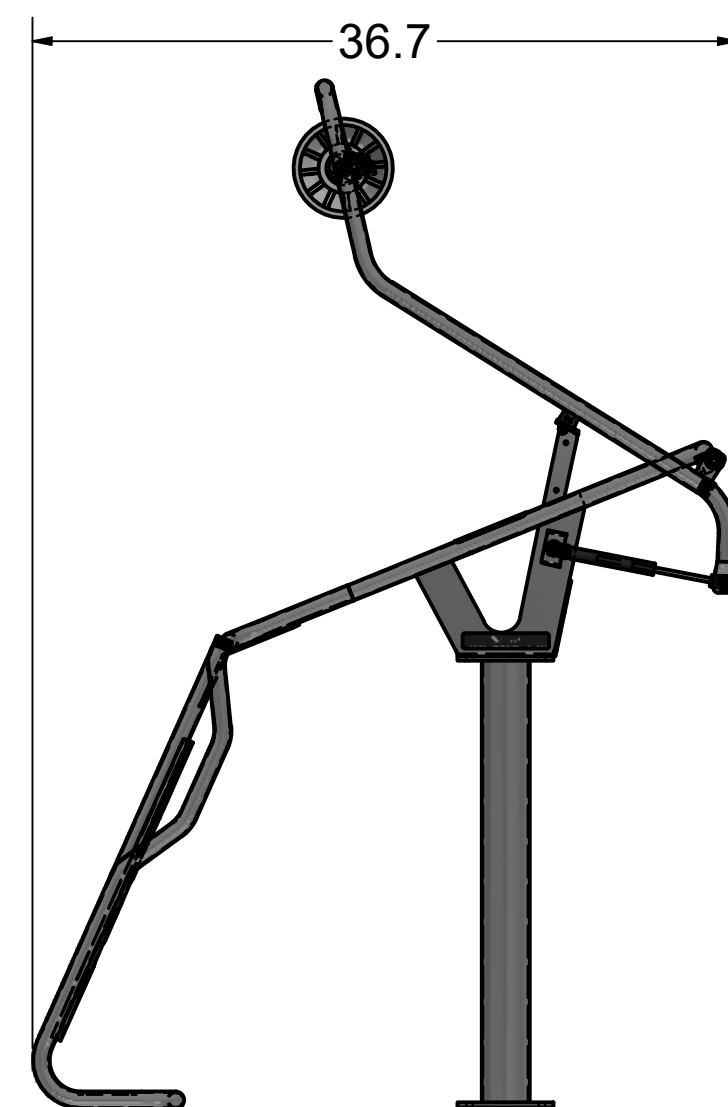
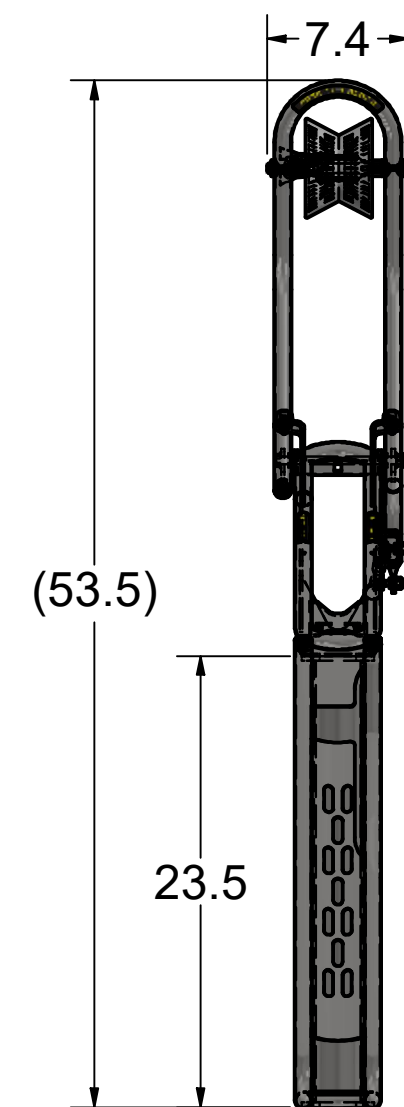


APPROXIMATE WEIGHT: 12LBS



APPROXIMATE WEIGHT: 17LBS



APPROXIMATE WEIGHT: 21LBS

**Sportworks Northwest, Inc.**

15540 Woodinville-Redmond Rd. NE, Bldg A-200  
Woodinville, WA 98072, PH: 425-483-7000, FX: 425-488-9001

PROPRIETARY: THIS IS PROPRIETARY INFORMATION AND IS NOT TO BE REFERENCED OR DISTRIBUTED WITHOUT PRIOR WRITTEN AUTHORIZATION OF SPORTWORKS NORTHWEST, INC.

TITLE  
SpinLock - Dimensions

DWG NO.  
**SpinLock - Dimensions**

SIZE C2B | NO DRAWING SCALE | SHEET 1 OF 1

REV  
**A**

A	INITIAL RELEASE	9/13/2019	GMC	GMC
REV	DESCRIPTION	DATE	BY	CHK