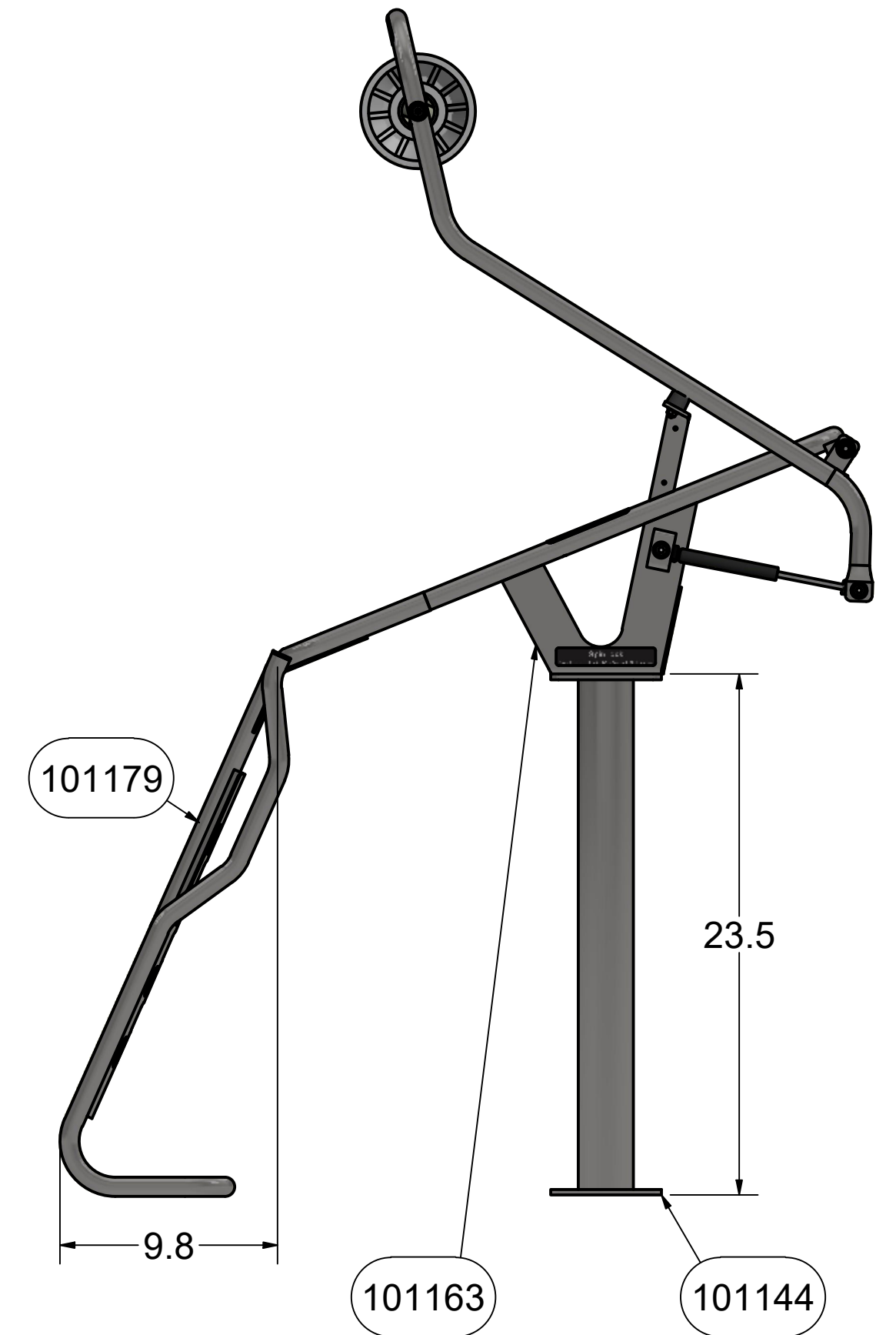
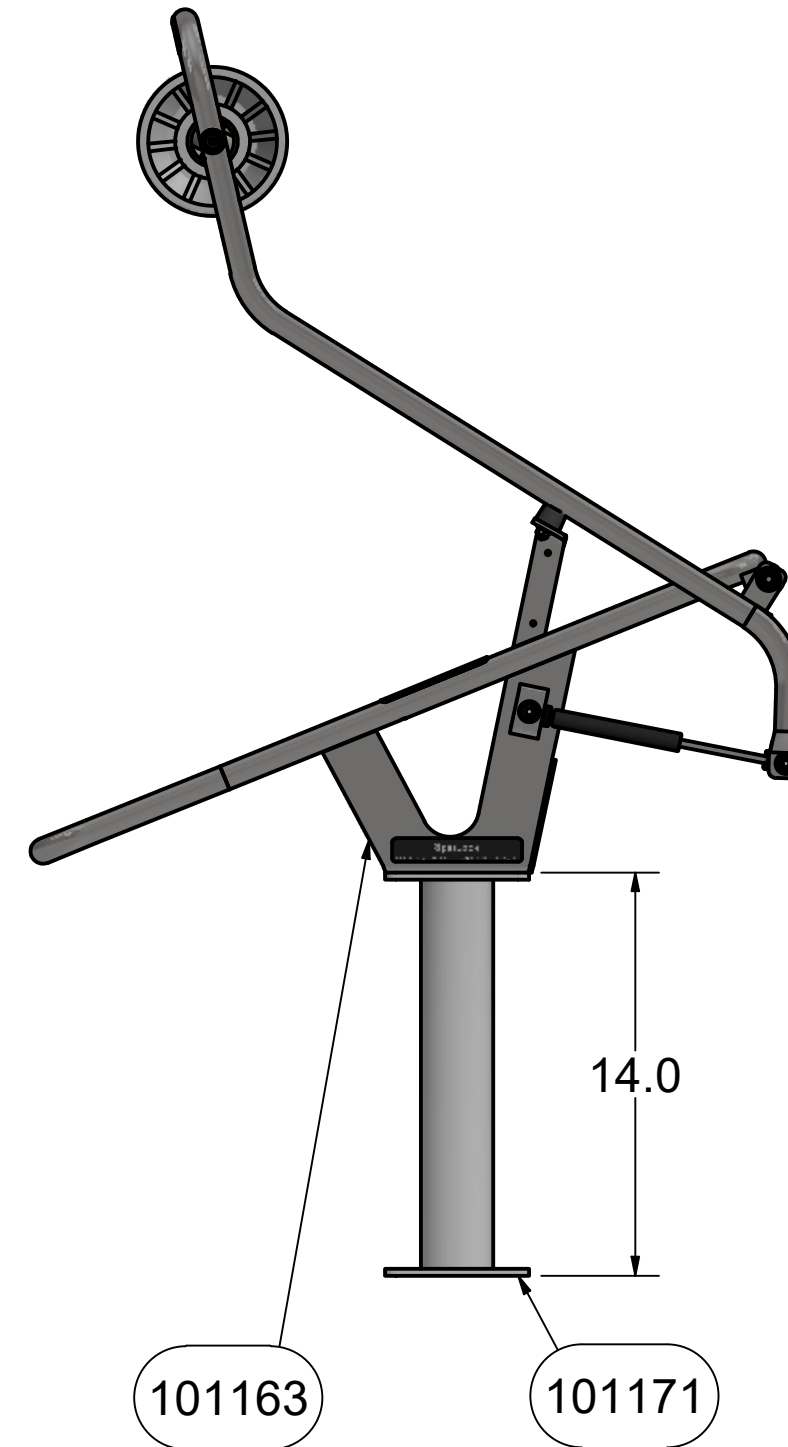
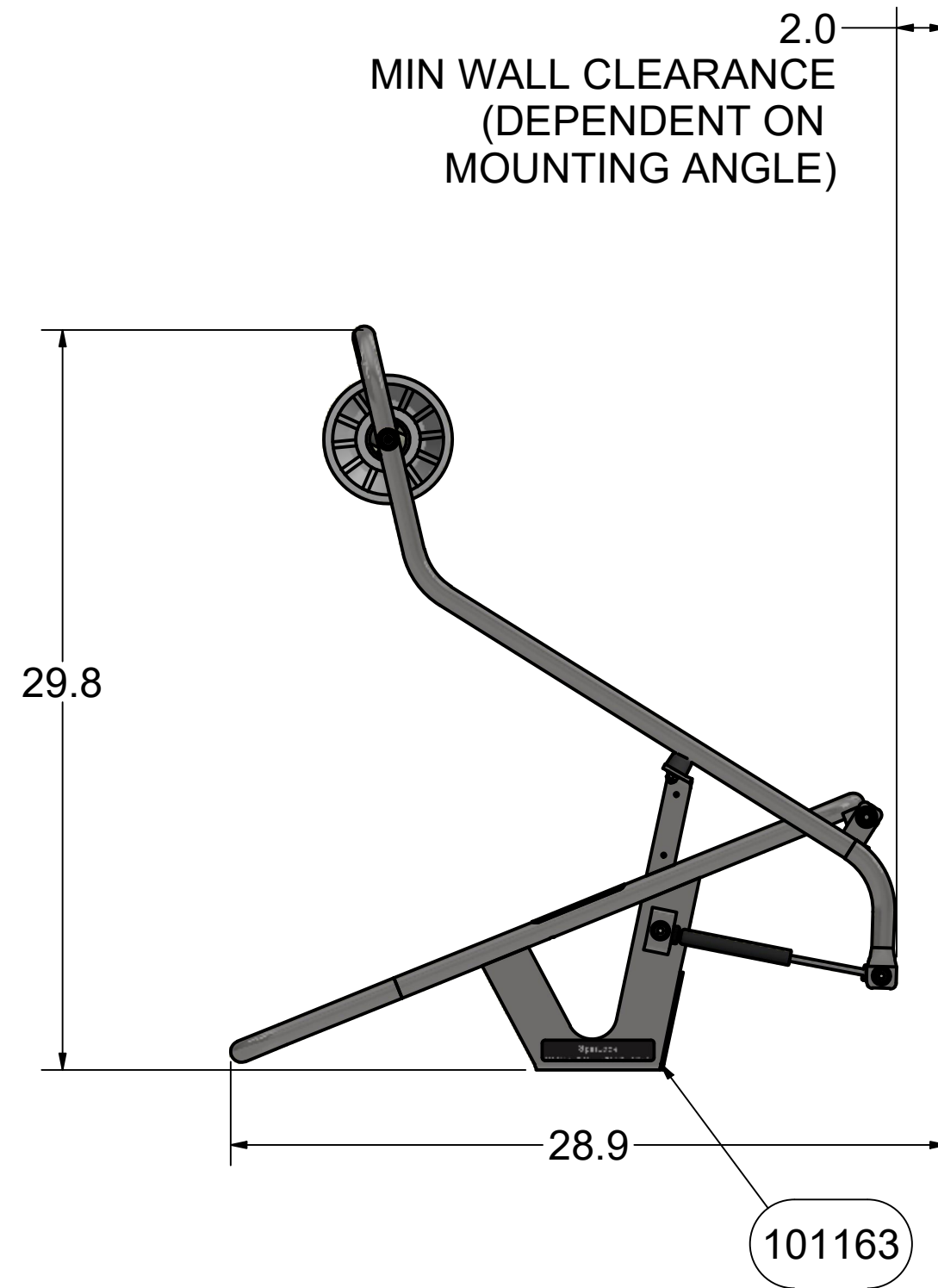
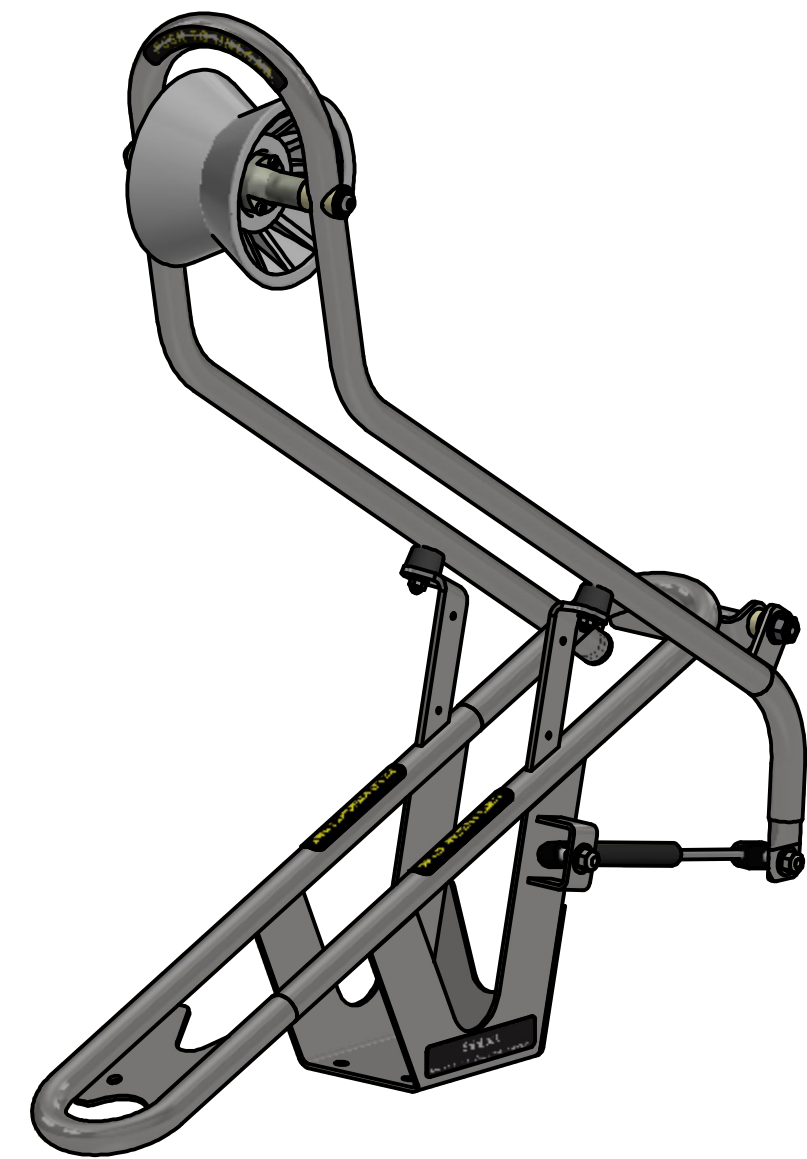


SPINLOCK BIKE RACK

Dimensions and recommended clearances



NOTES

1. SEE LAST PAGE FOR BICYCLE GEOMETRY USED IN THESE LAYOUTS

Sportworks Northwest, Inc.

15540 Woodinville-Redmond Rd. NE, Bldg A-200
Woodinville, WA 98072, PH: 425-483-7000, FX: 425-488-9001

PROPRIETARY: THIS IS PROPRIETARY INFORMATION AND IS NOT TO BE REFERENCED OR DISTRIBUTED WITHOUT PRIOR WRITTEN AUTHORIZATION OF SPORTWORKS NORTHWEST, INC.

TITLE

SpinLock - Generic Layout

DWG NO.

SpinLock - Generic Layout

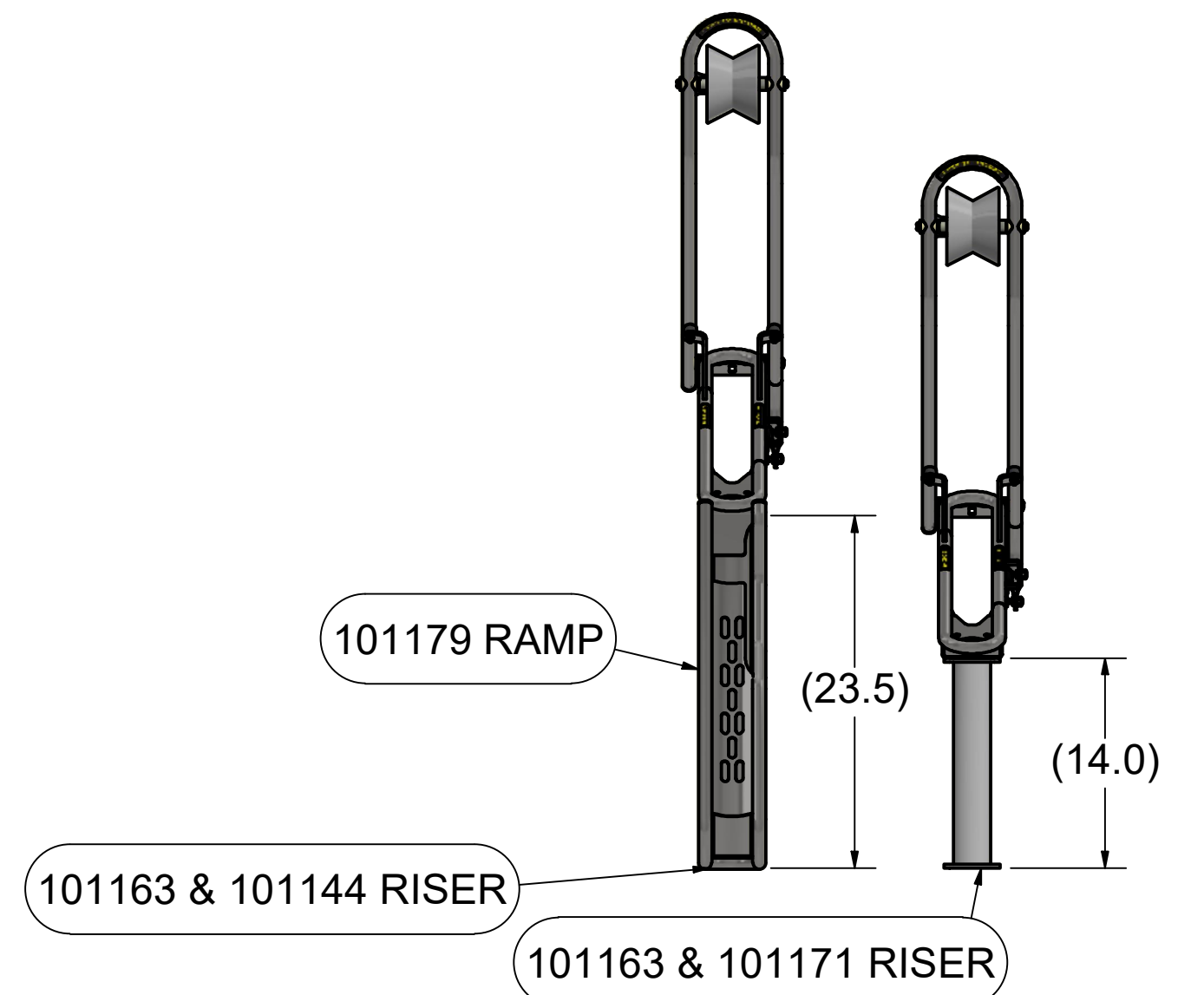
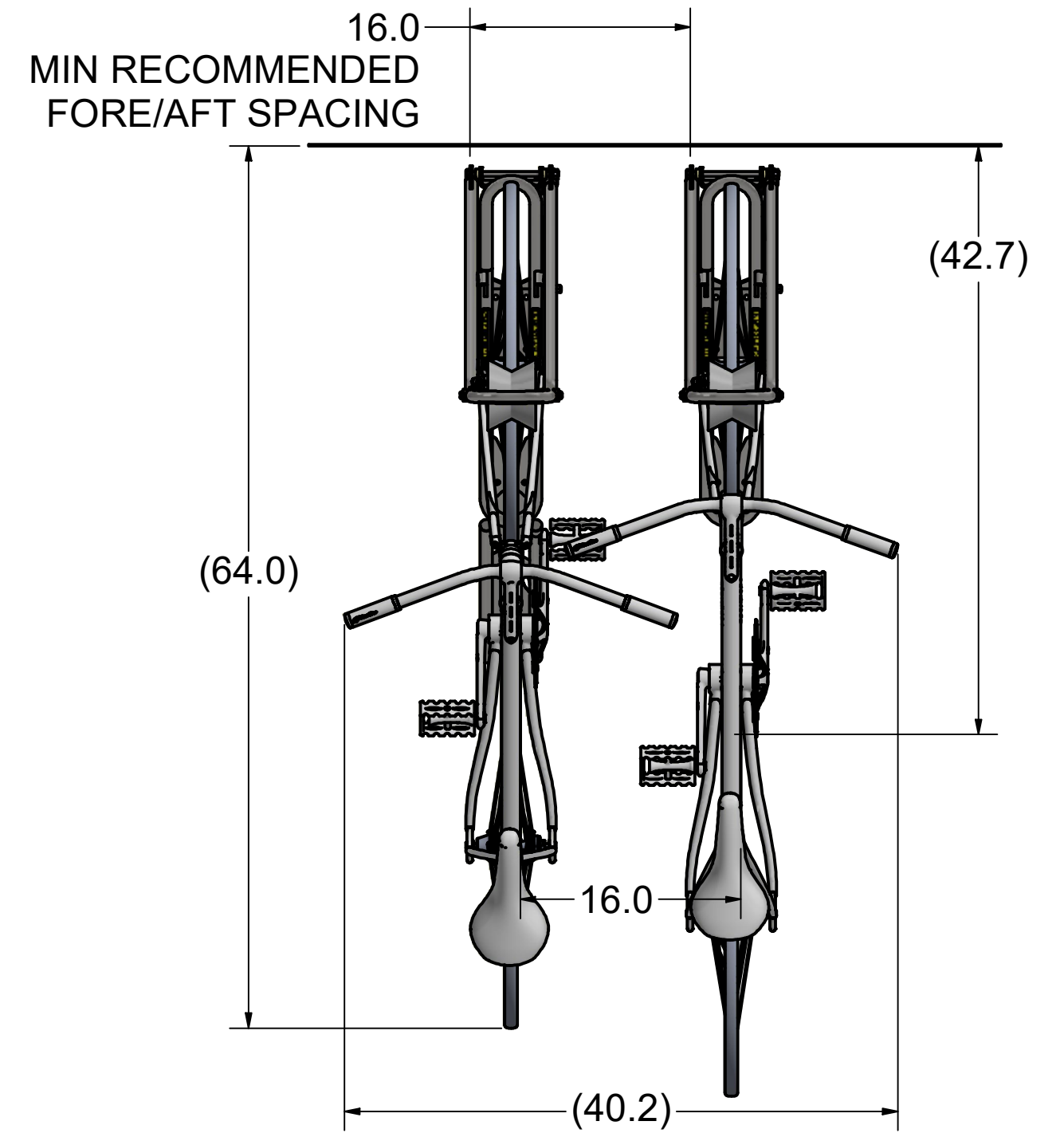
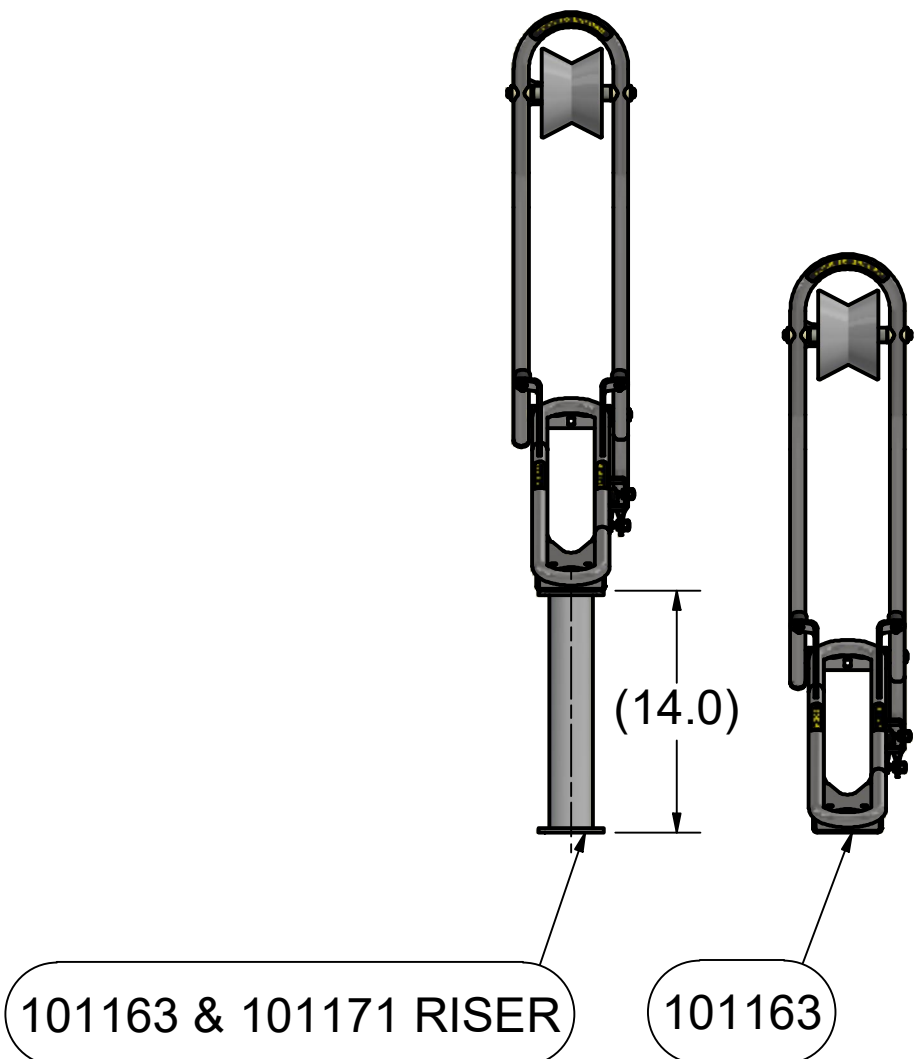
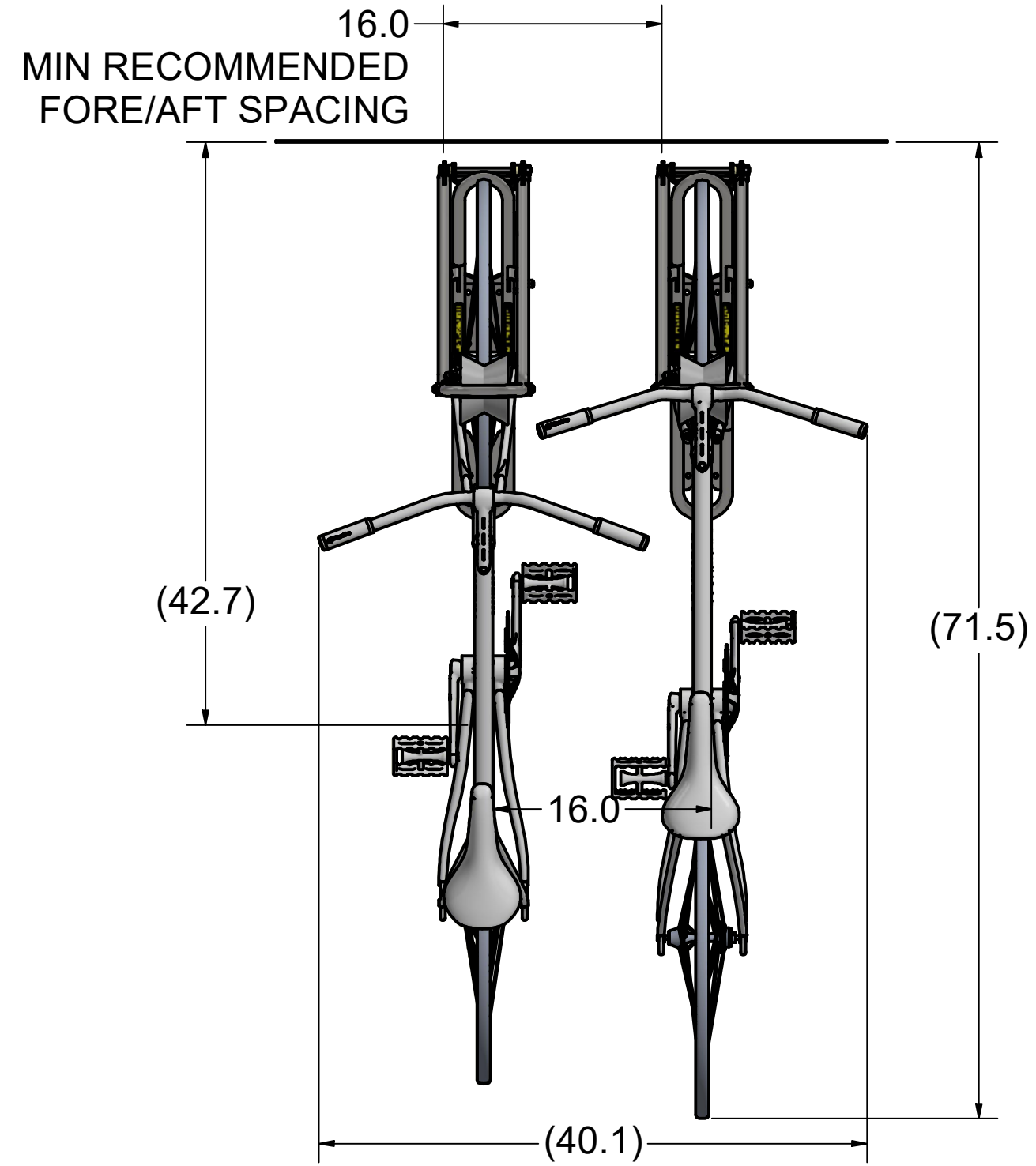
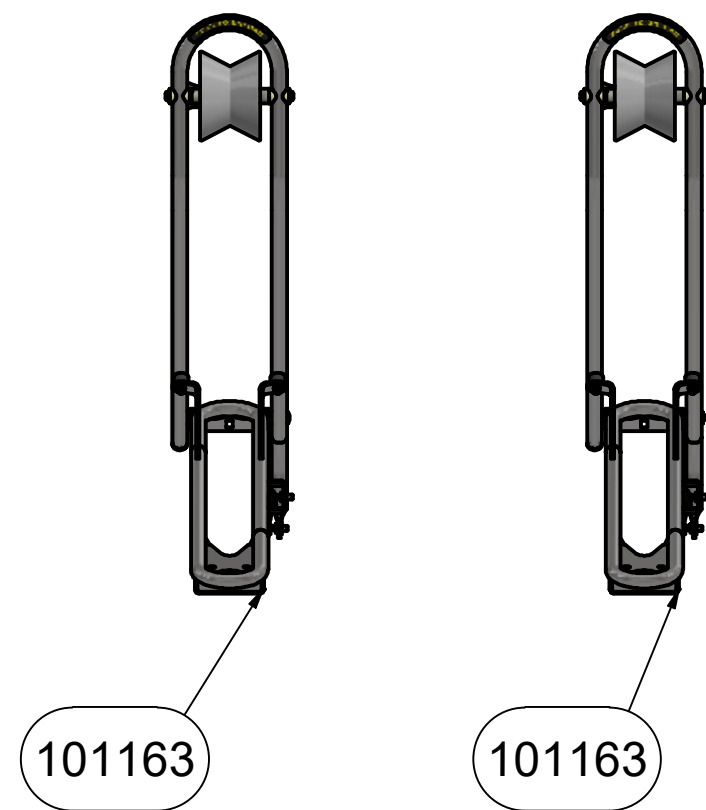
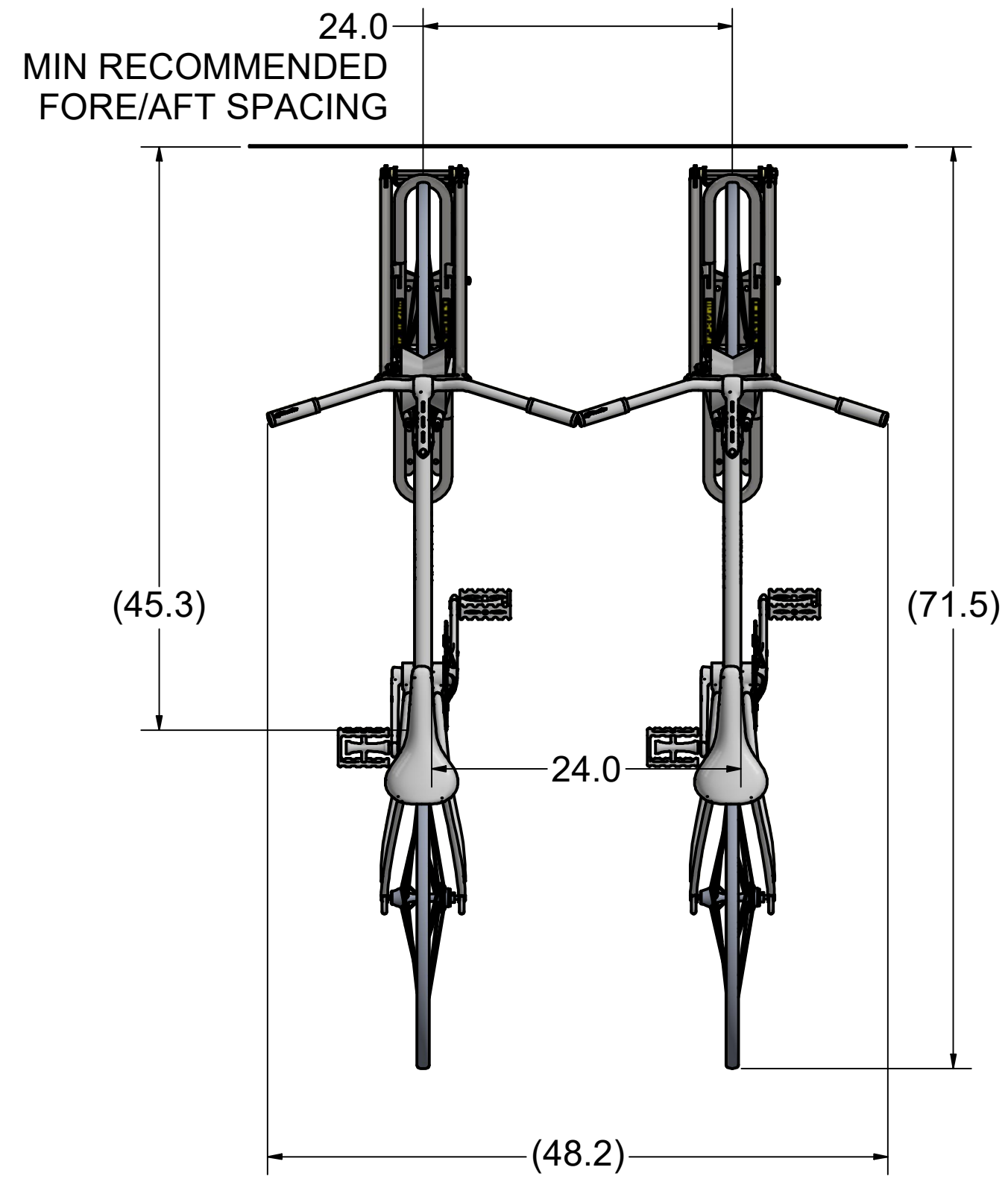
REV

A

SIZE C2B | NO DRAWING SCALE | SHEET 1 OF 5

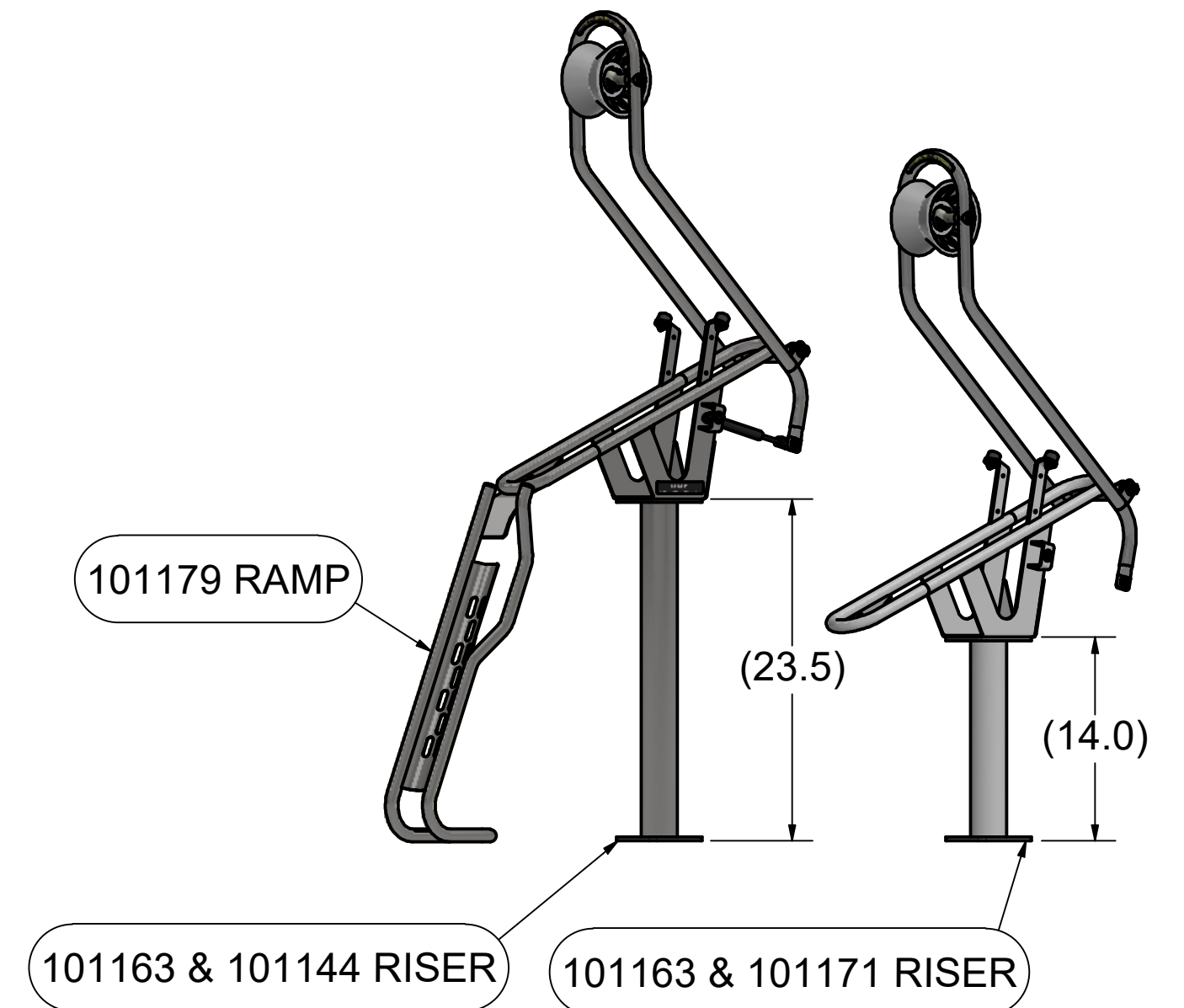
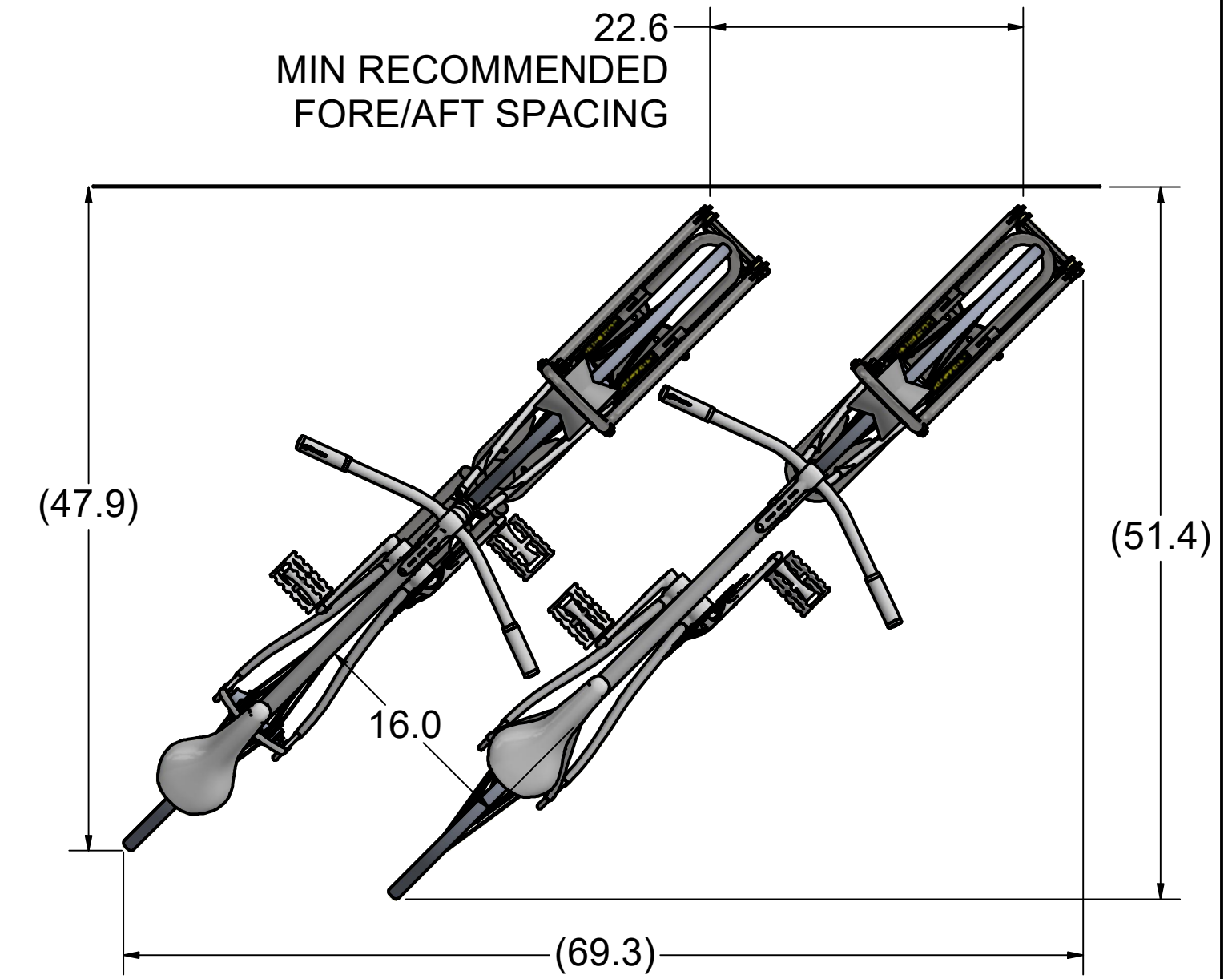
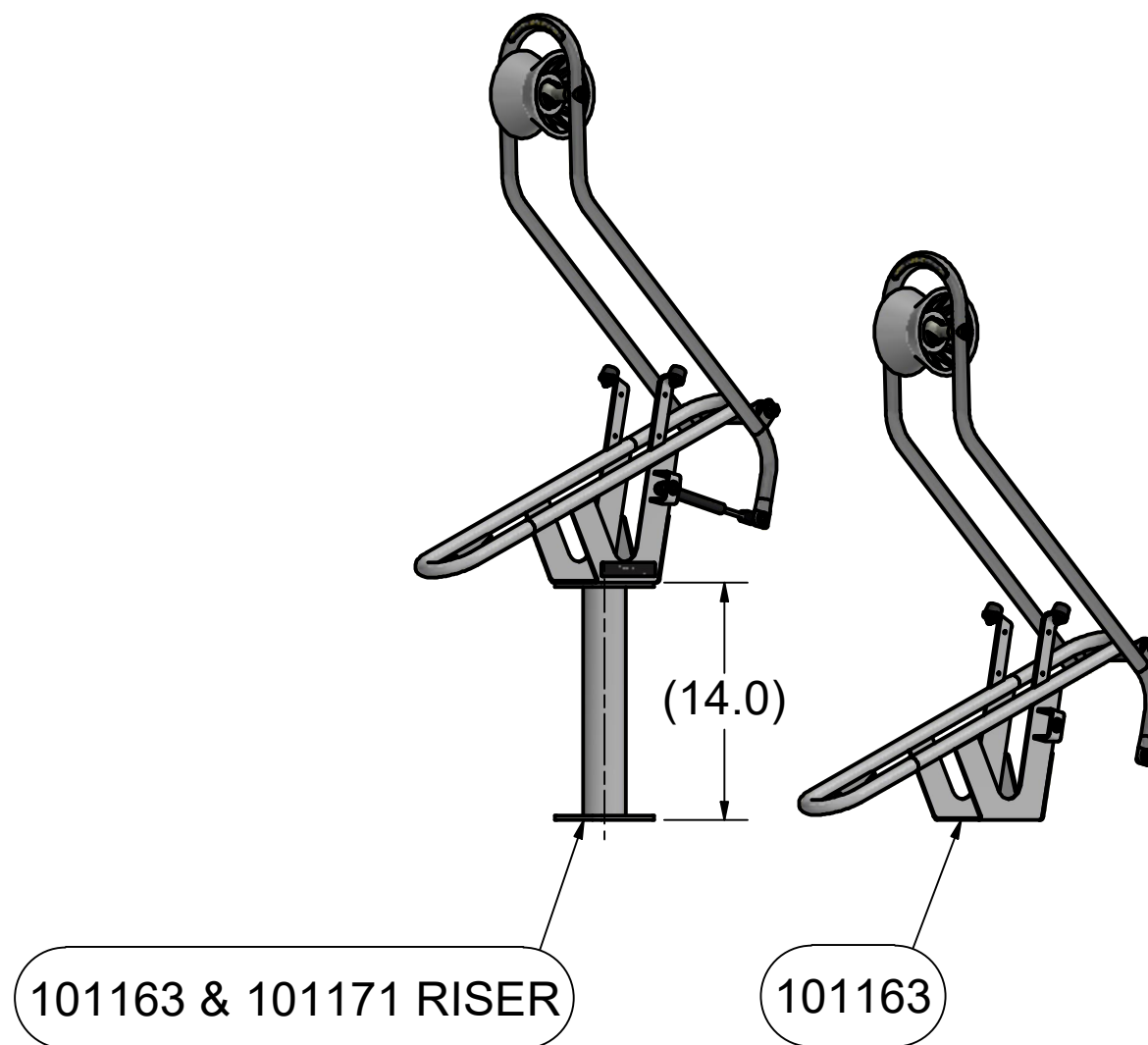
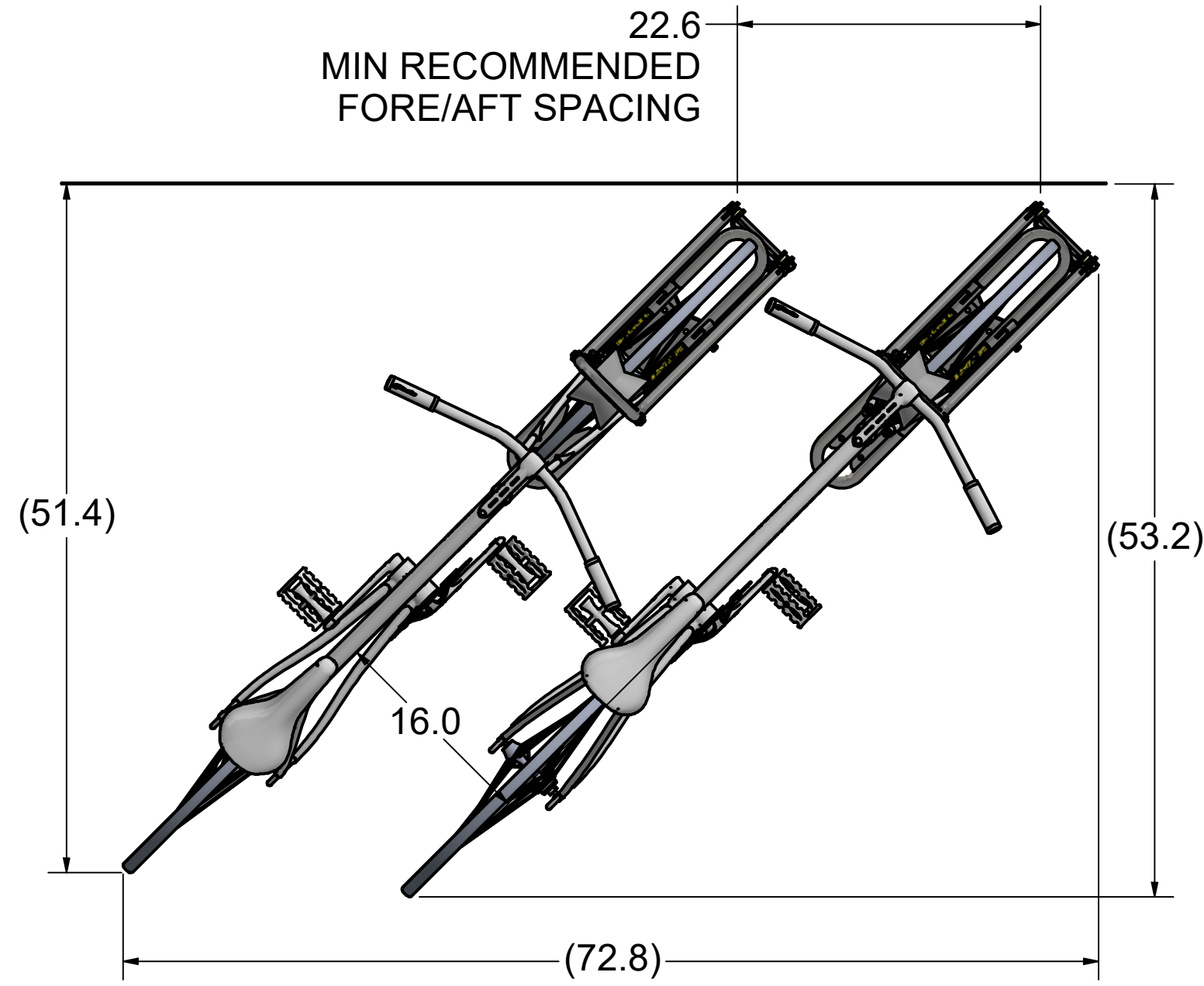
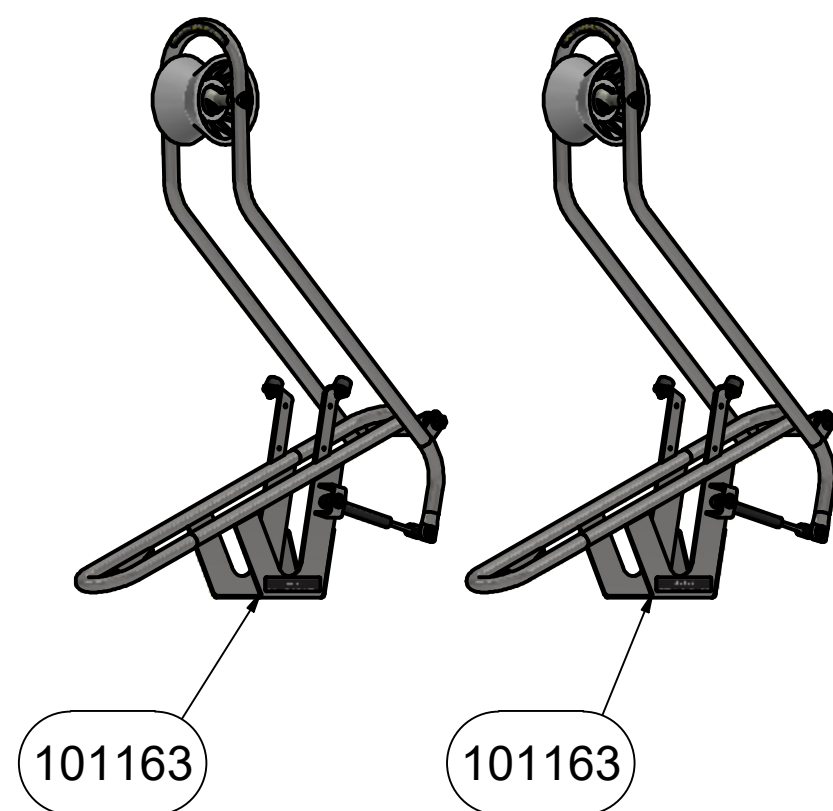
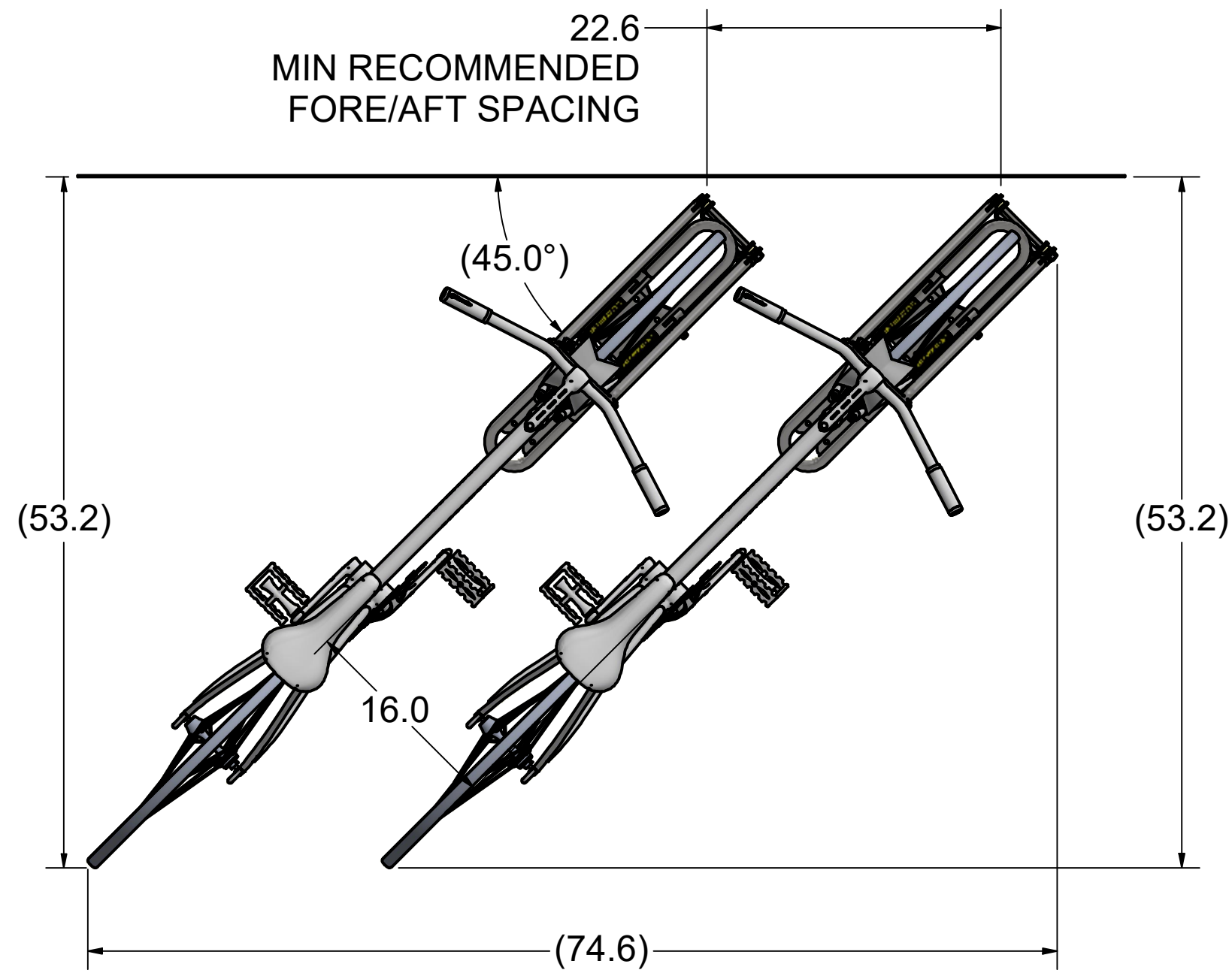
A	INITIAL RELEASE	12/10/18	GMC	JMS
REV	DESCRIPTION	DATE	BY	CHK

SPINLOCK INSTALLED AT 90°



Sportworks Northwest, Inc. 15540 Woodinville-Redmond Rd. NE, Bldg A-200 Woodinville, WA 98072, PH: 425-483-7000, FX: 425-488-9001 <small>PROPRIETARY: THIS IS PROPRIETARY INFORMATION AND IS NOT TO BE REFERENCED OR DISTRIBUTED WITHOUT PRIOR WRITTEN AUTHORIZATION OF SPORTWORKS NORTHWEST, INC.</small>	TITLE	SpinLock - Generic Layout
	DWG NO.	SpinLock - Generic Layout
	REV	A
SIZE	C2B	NO DRAWING SCALE
SHEET	2	OF 5

SPINLOCK INSTALLED AT 45°



Sportworks Northwest, Inc.

15540 Woodinville-Redmond Rd. NE, Bldg A-200
Woodinville, WA 98072, PH: 425-483-7000, FX: 425-488-9001

PROPRIETARY: THIS IS PROPRIETARY INFORMATION AND IS NOT TO BE REFERENCED OR DISTRIBUTED WITHOUT PRIOR WRITTEN AUTHORIZATION OF SPORTWORKS NORTHWEST, INC.

TITLE

SpinLock - Generic Layout

DWG NO.

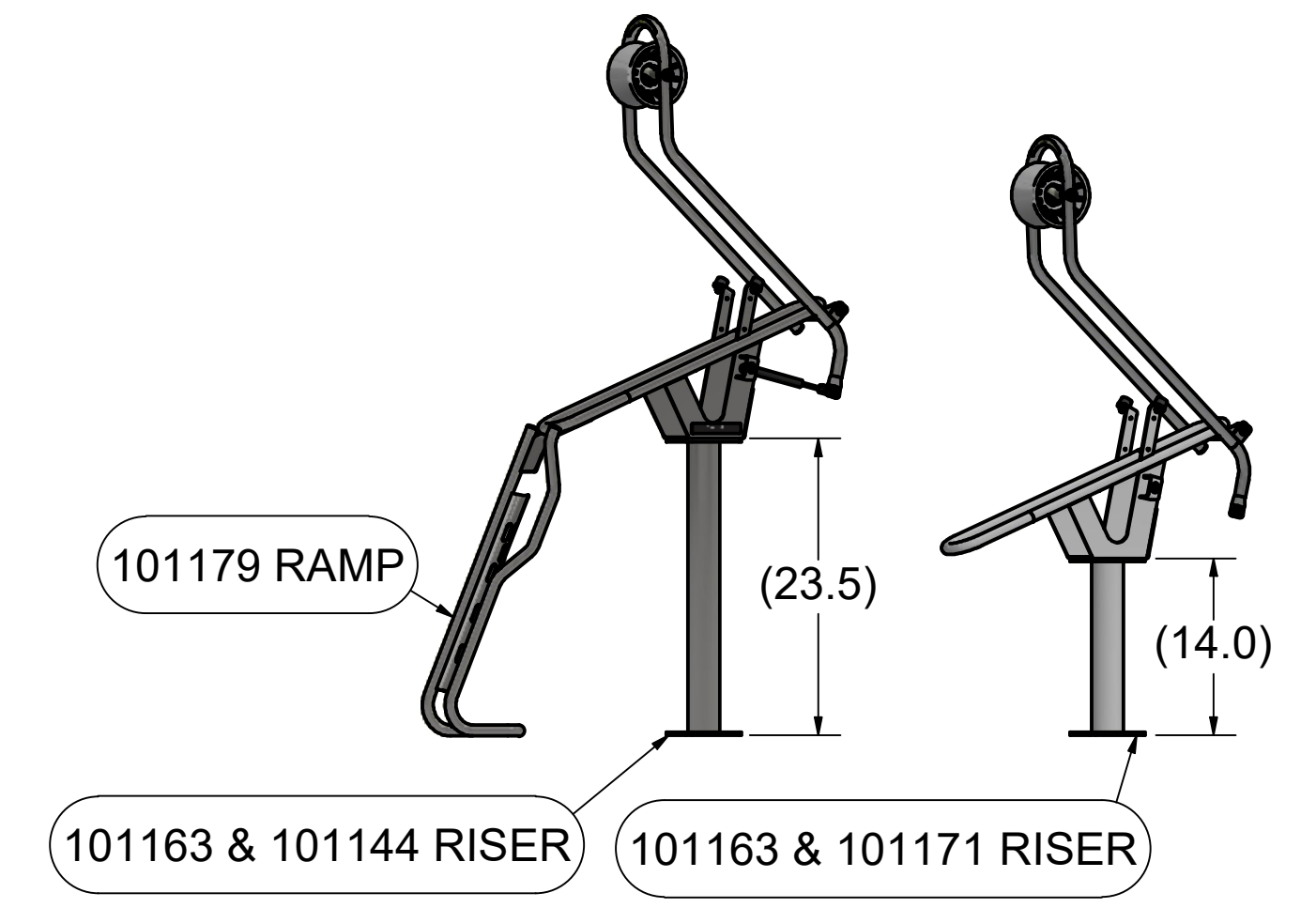
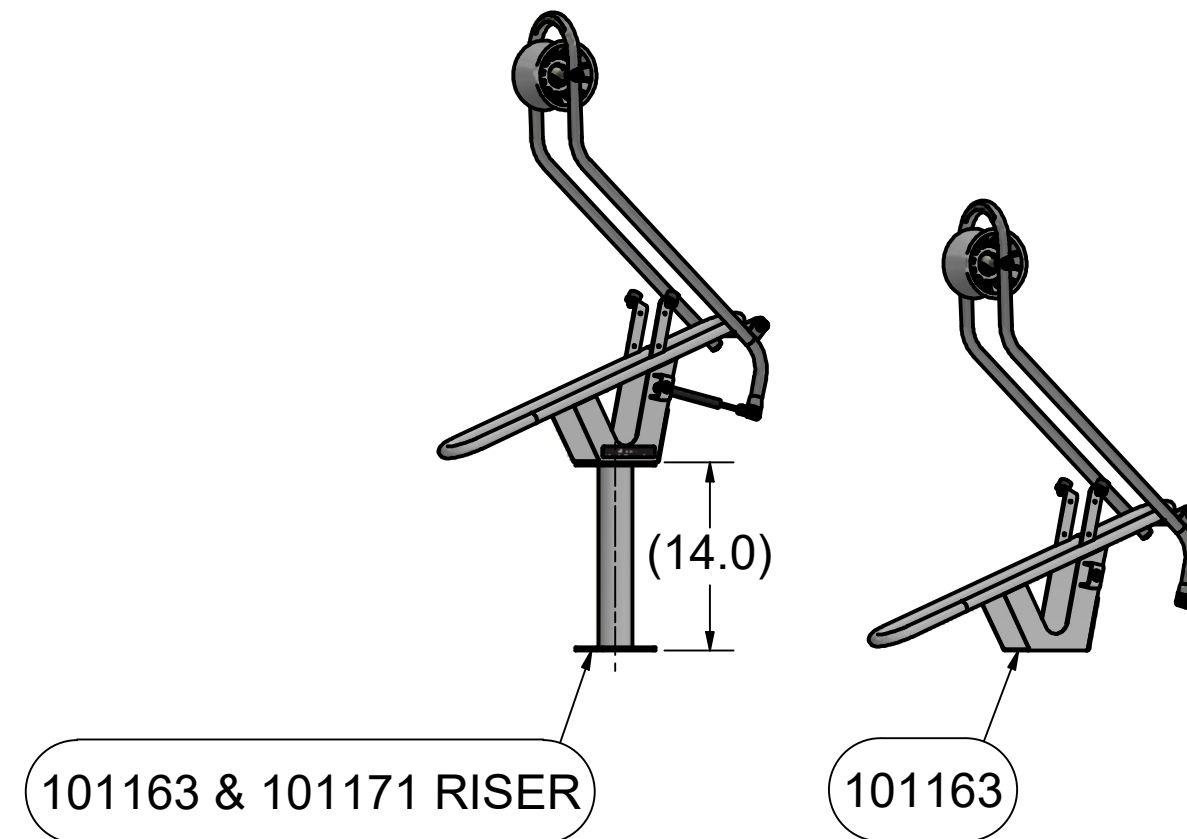
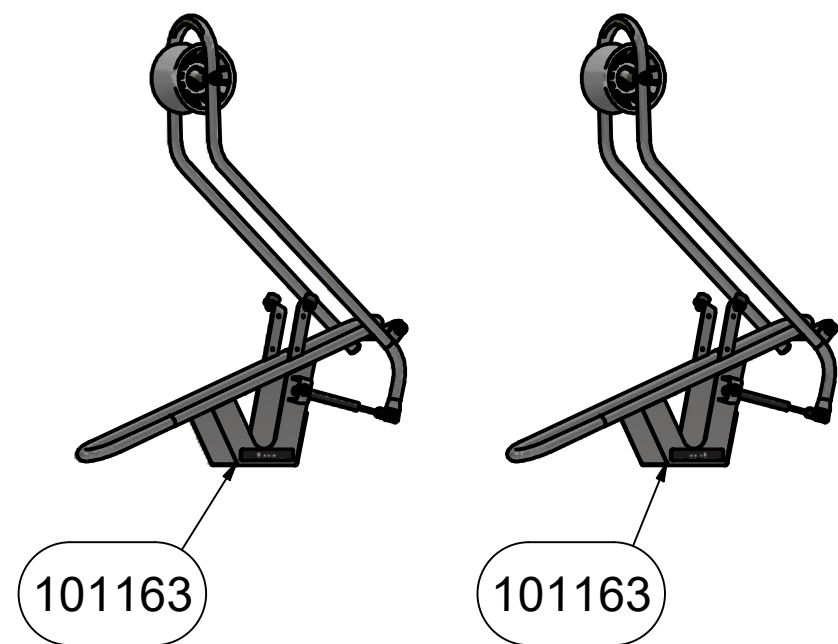
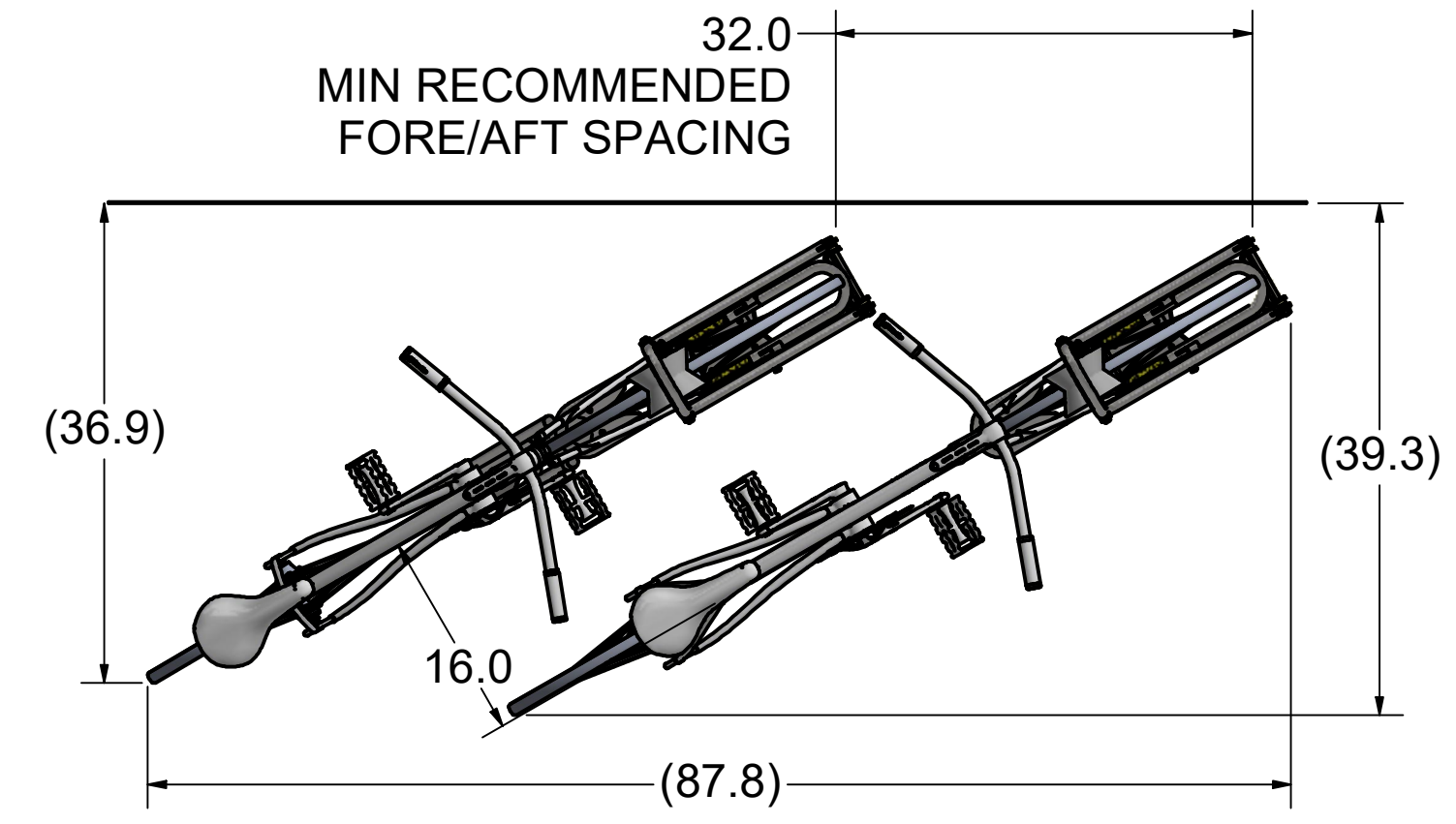
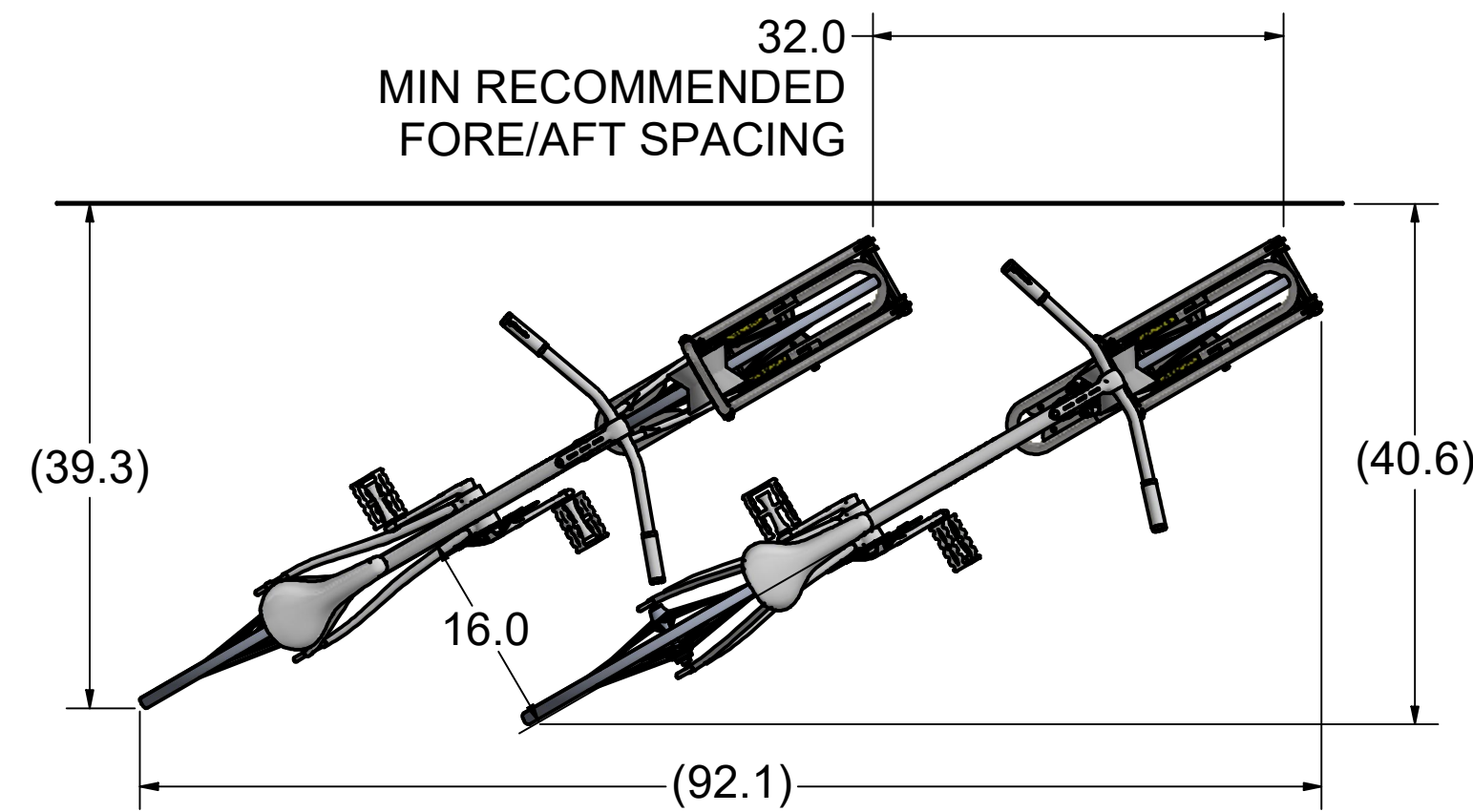
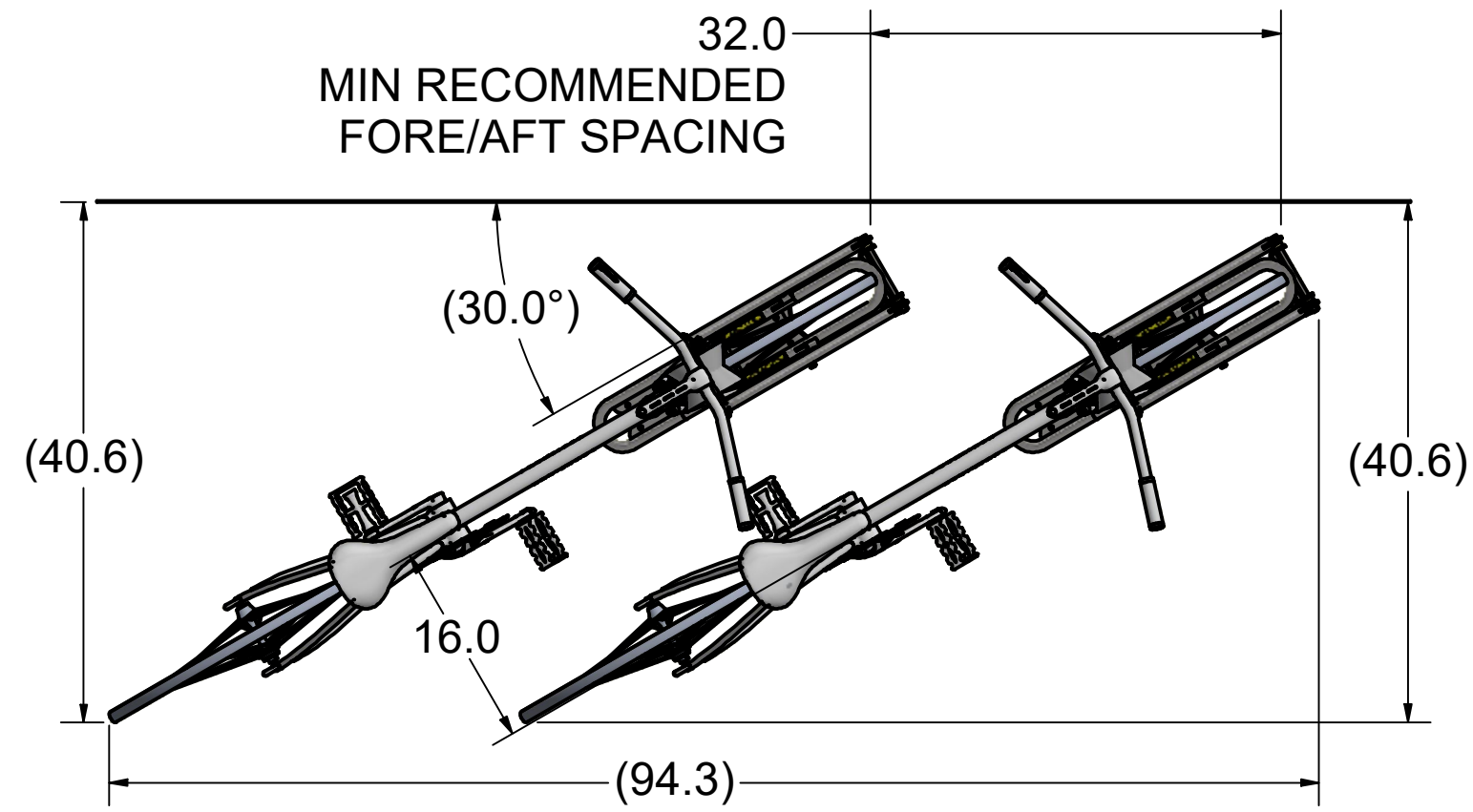
SpinLock - Generic Layout

REV

A

SIZE C2B | NO DRAWING SCALE | SHEET 3 OF 5

SPINLOCK INSTALLED AT 30°



Sportworks Northwest, Inc.

15540 Woodinville-Redmond Rd. NE, Bldg A-200
Woodinville, WA 98072, PH: 425-483-7000, FX: 425-488-9001

PROPRIETARY: THIS IS PROPRIETARY INFORMATION AND IS NOT TO BE REFERENCED OR DISTRIBUTED WITHOUT PRIOR WRITTEN AUTHORIZATION OF SPORTWORKS NORTHWEST, INC.

TITLE

SpinLock - Generic Layout

DWG NO.

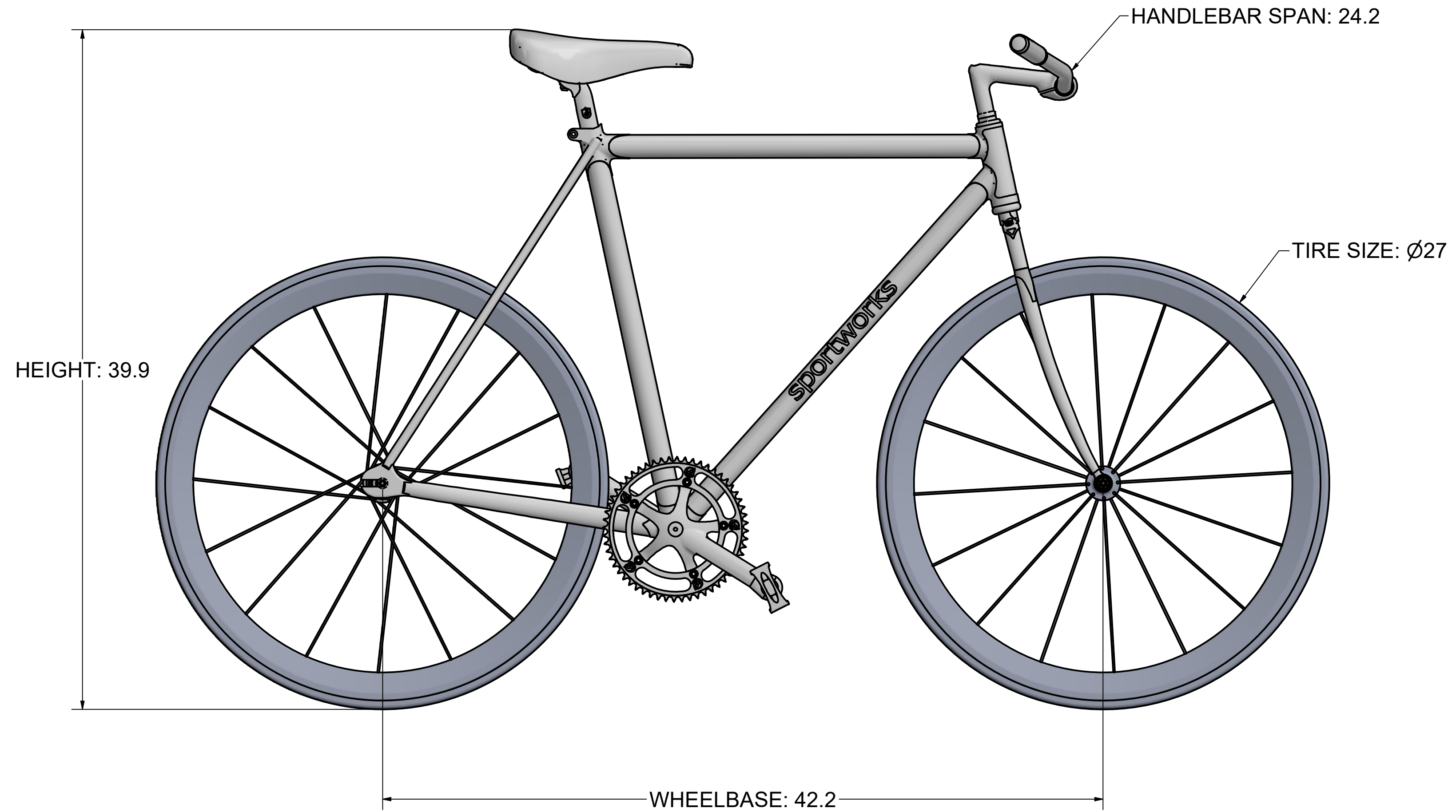
SpinLock - Generic Layout

REV

A

SIZE C2B | NO DRAWING SCALE | SHEET 4 OF 5

BIKE GEOMETRY USED IN THESE LAYOUTS



Sportworks Northwest, Inc. 15540 Woodinville-Redmond Rd. NE, Bldg A-200 Woodinville, WA 98072, PH: 425-483-7000, FX: 425-488-9001	TITLE	SpinLock - Generic Layout
	DWG NO. SpinLock - Generic Layout	REV
<small>PROPRIETARY: THIS IS PROPRIETARY INFORMATION AND IS NOT TO BE REFERENCED OR DISTRIBUTED WITHOUT PRIOR WRITTEN AUTHORIZATION OF SPORTWORKS NORTHWEST, INC.</small>	SIZE	C2B NO DRAWING SCALE SHEET 5 OF 5