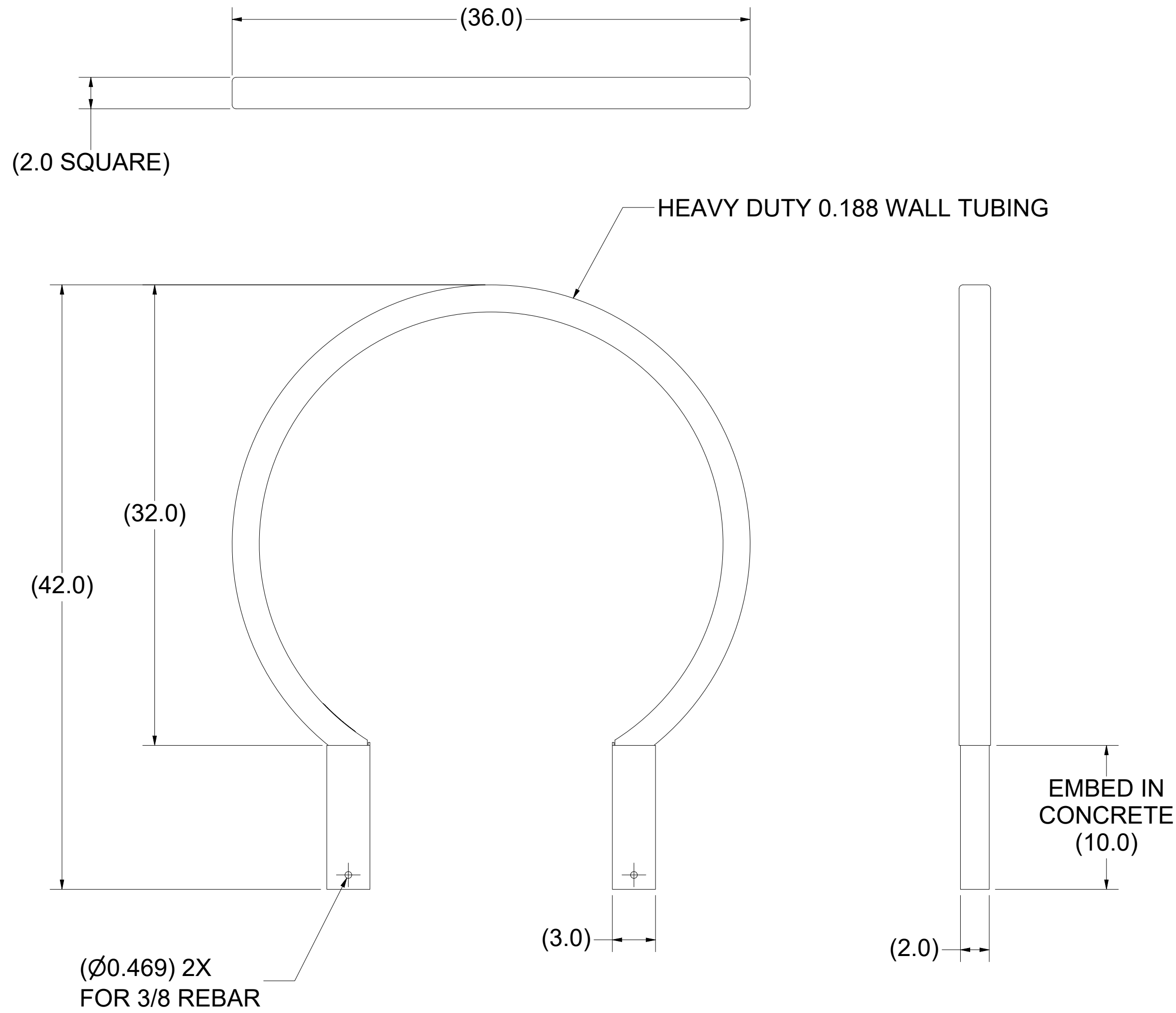


HEAVY DUTY 0.188 WALL TUBING

PRODUCT WEIGHT = 35.5 LB



PRODUCT WEIGHT = 39.0 LB