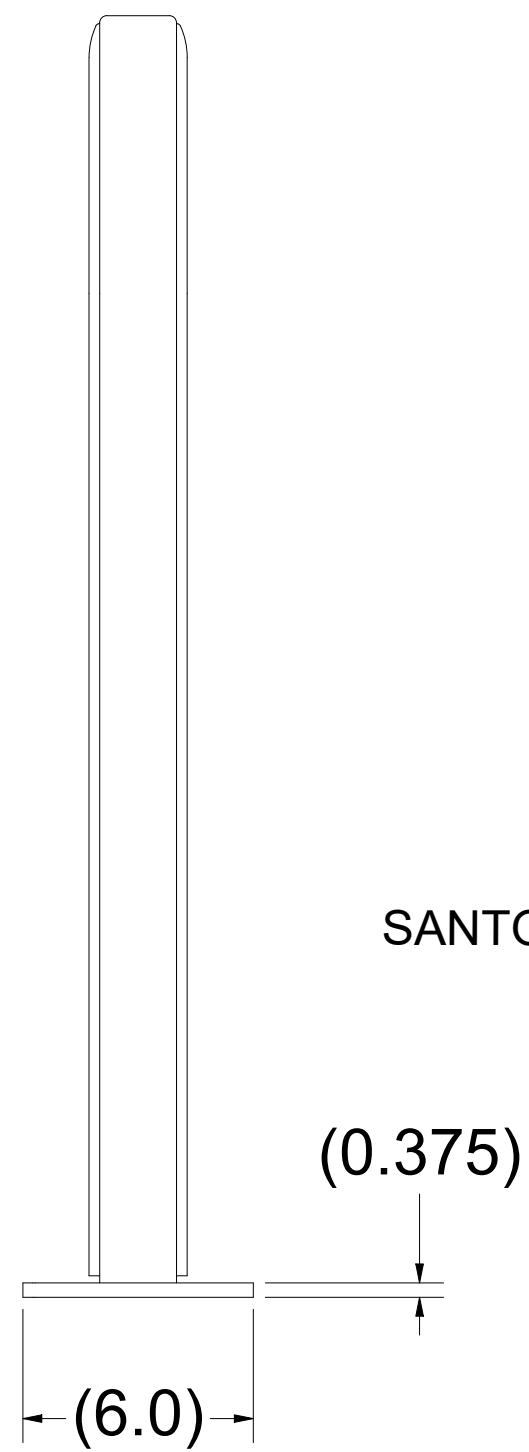
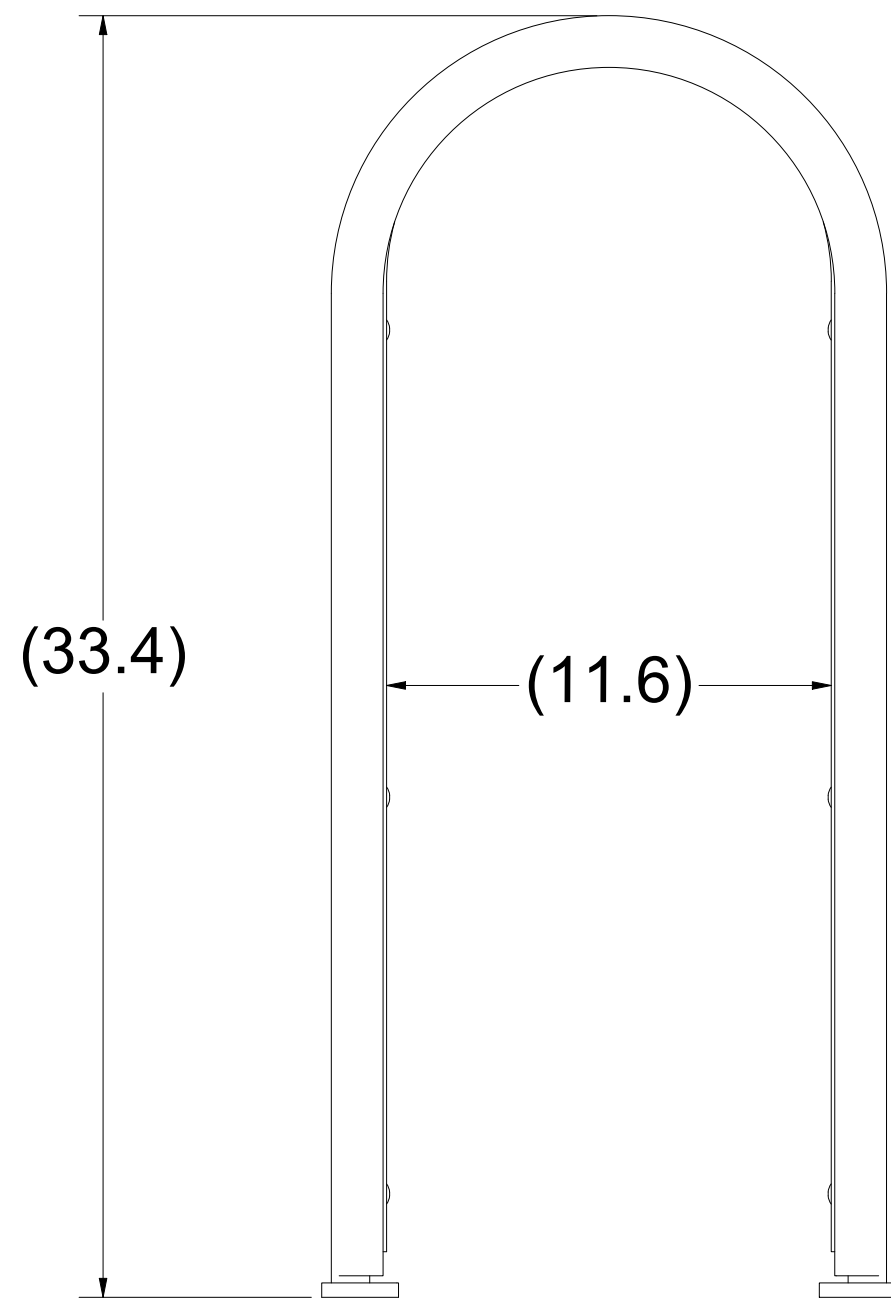
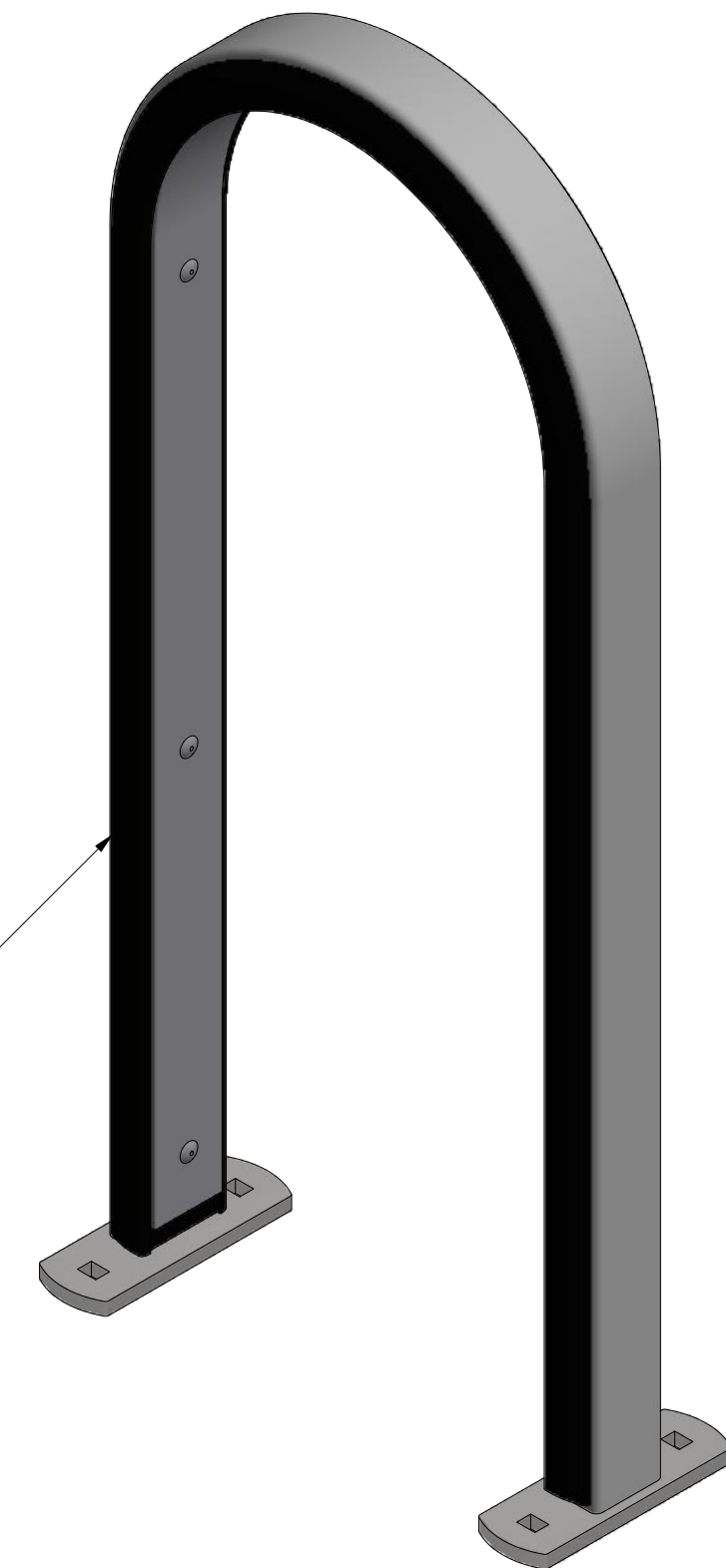


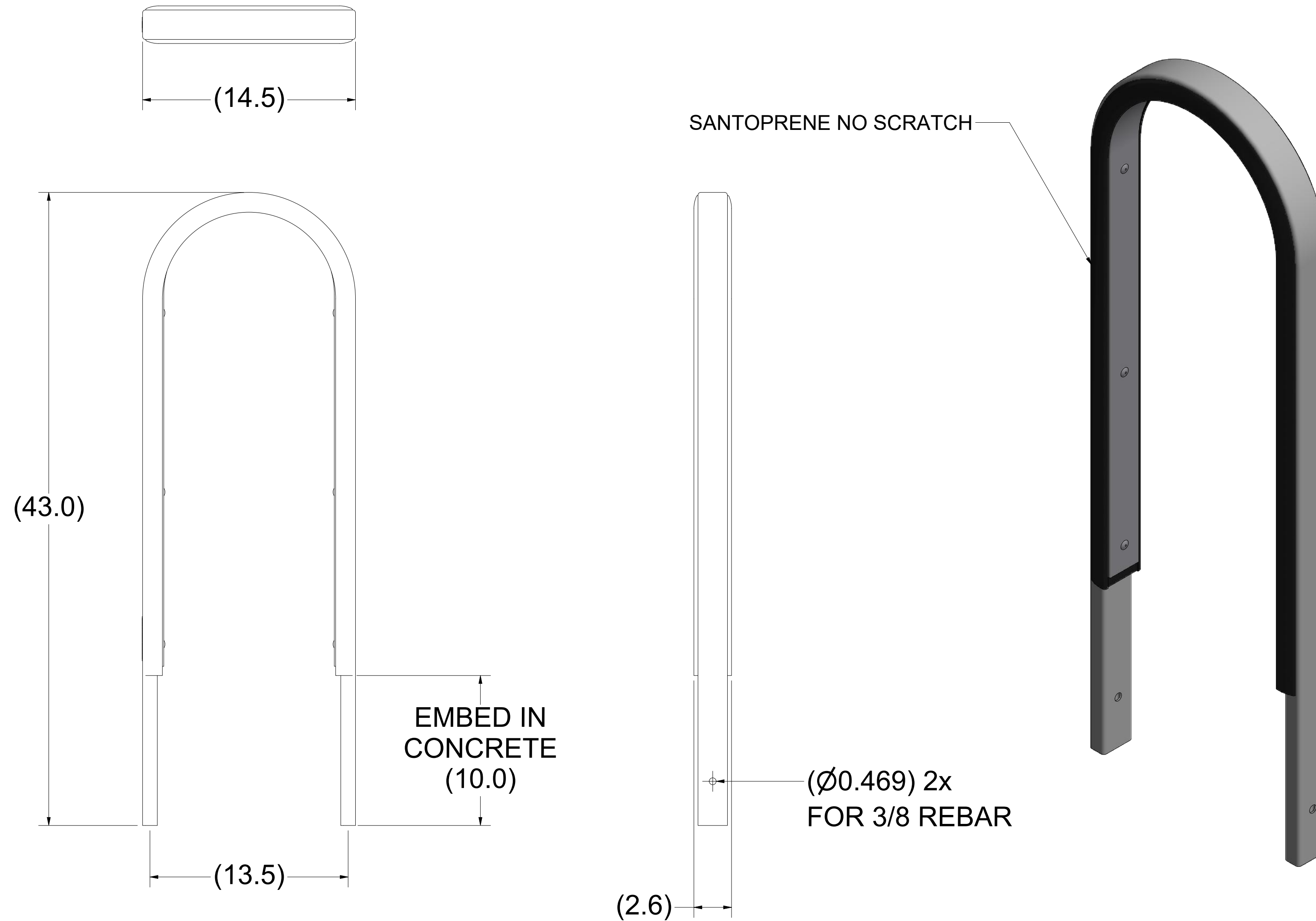
FOOT
DETAIL A



SANTOPRENE NO SCRATCH



PRODUCT WEIGHT = 27.0 LB



PRODUCT WEIGHT = 27.9 LB