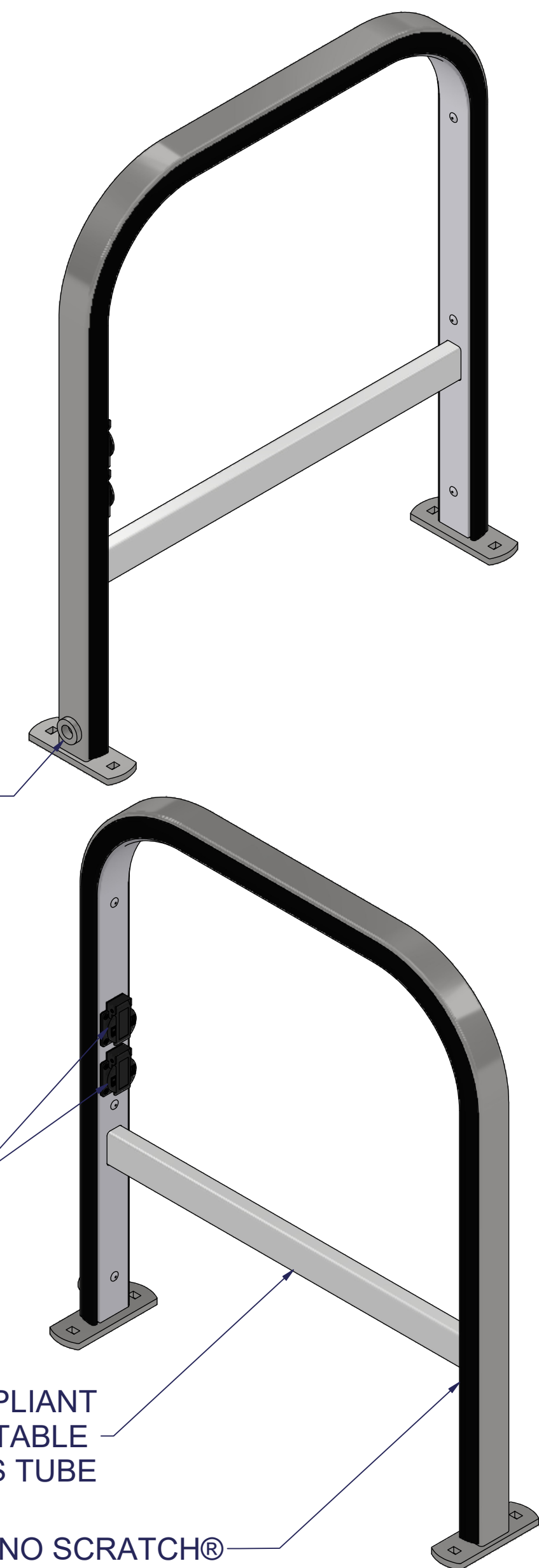


1/2" CONDUIT FITTING

125V/15A MAX  
UL CERTIFIED  
OUTLET

ADA-COMPLIANT  
CANE DETECTABLE  
CROSS TUBE

SANTOPRENE NO SCRATCH®



Weight: 36 lbs.