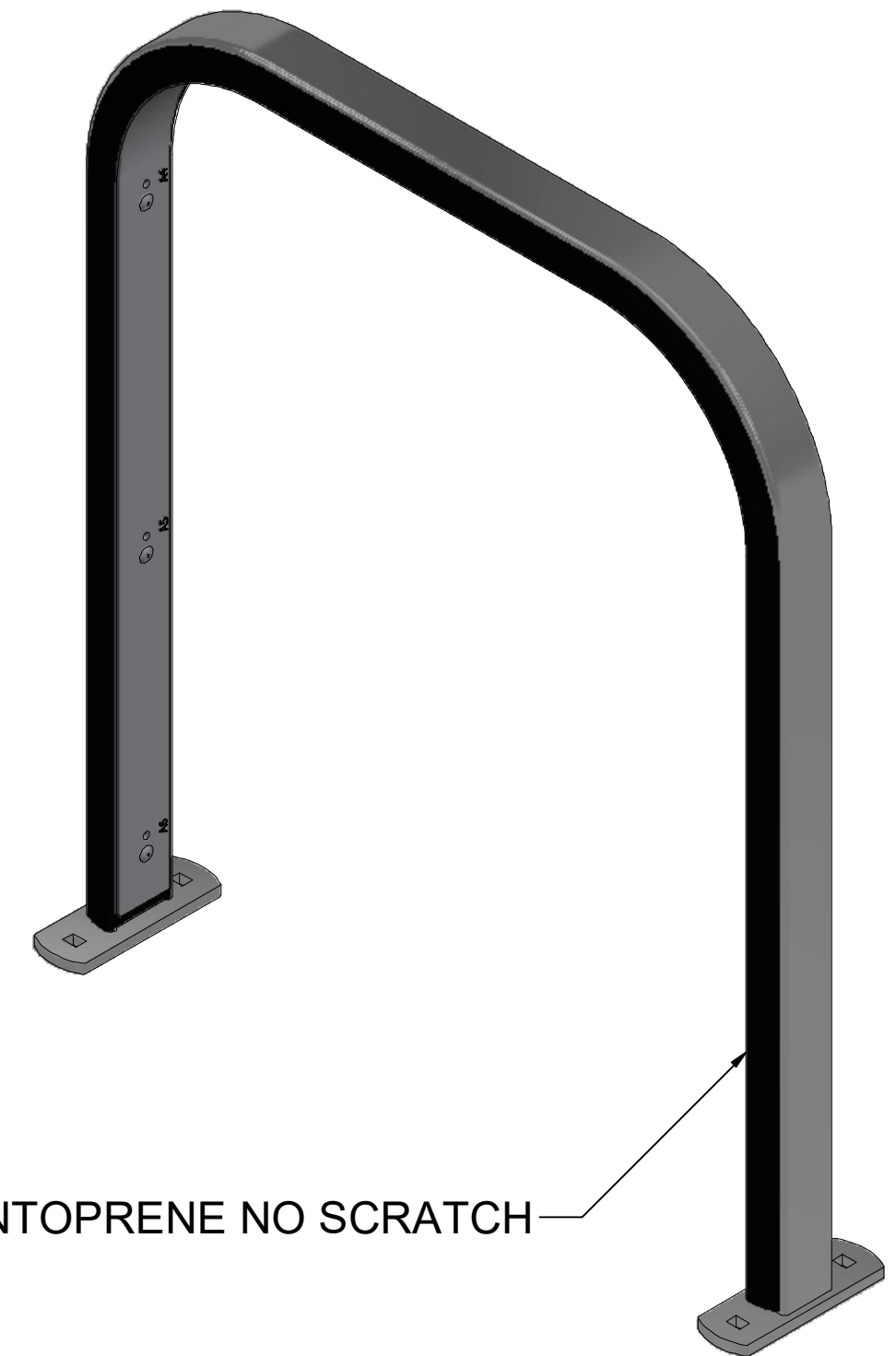
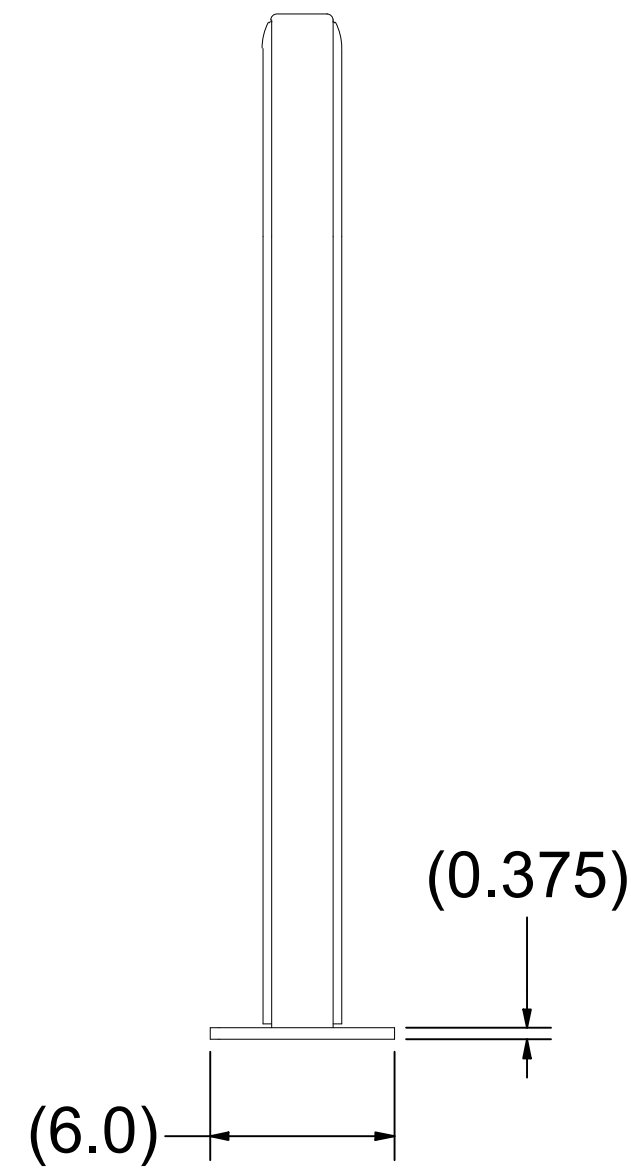
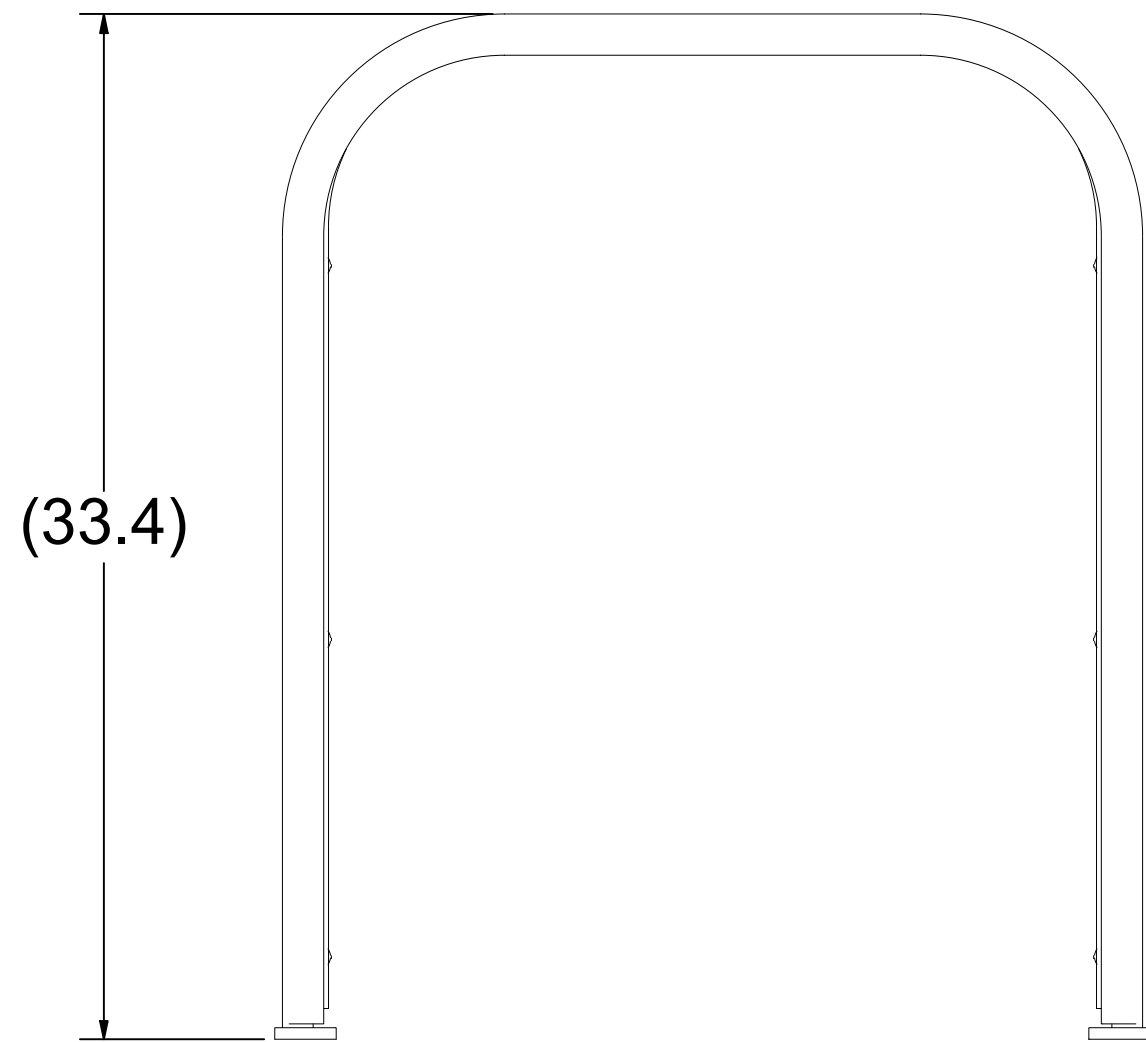
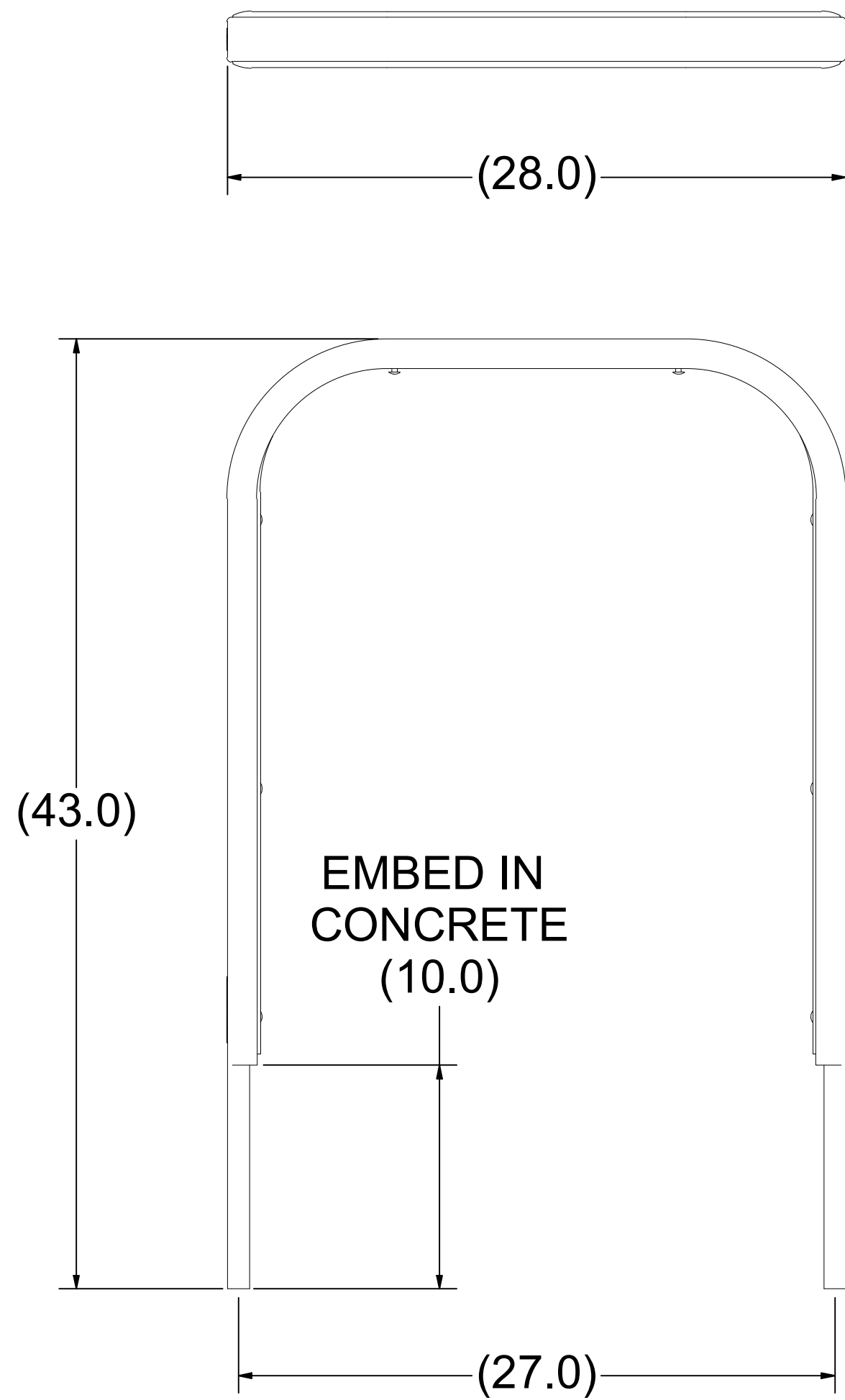


FOOT
DETAIL A

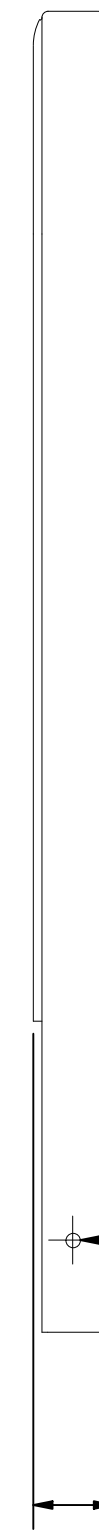


SANTOPRENE NO SCRATCH

PRODUCT WEIGHT = 31.9 LB

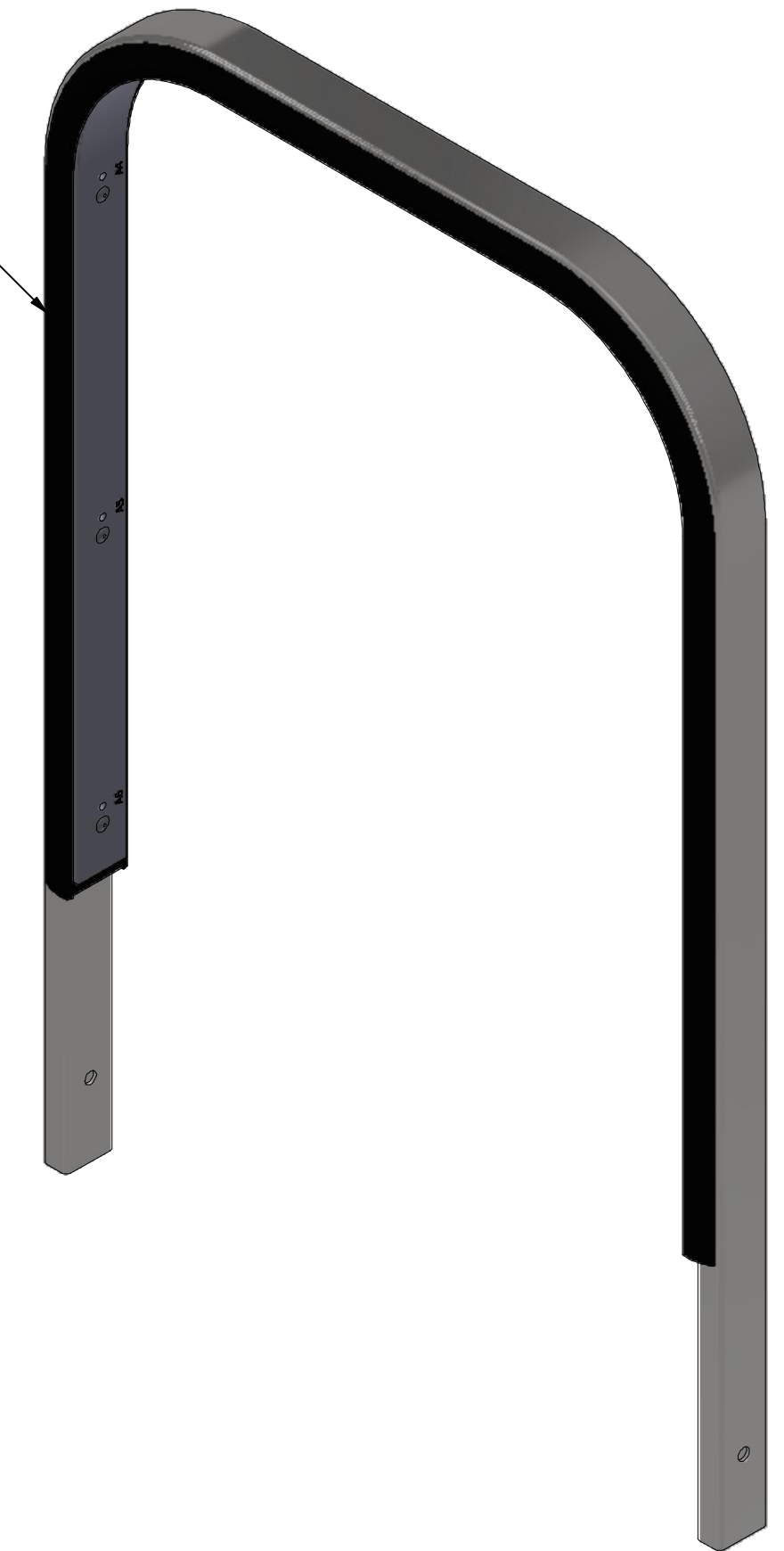


SANTOPRENE NO SCRATCH



(Ø0.469) 2x
FOR 3/8 REBAR

(2.6)



PRODUCT WEIGHT = 33.2 LB