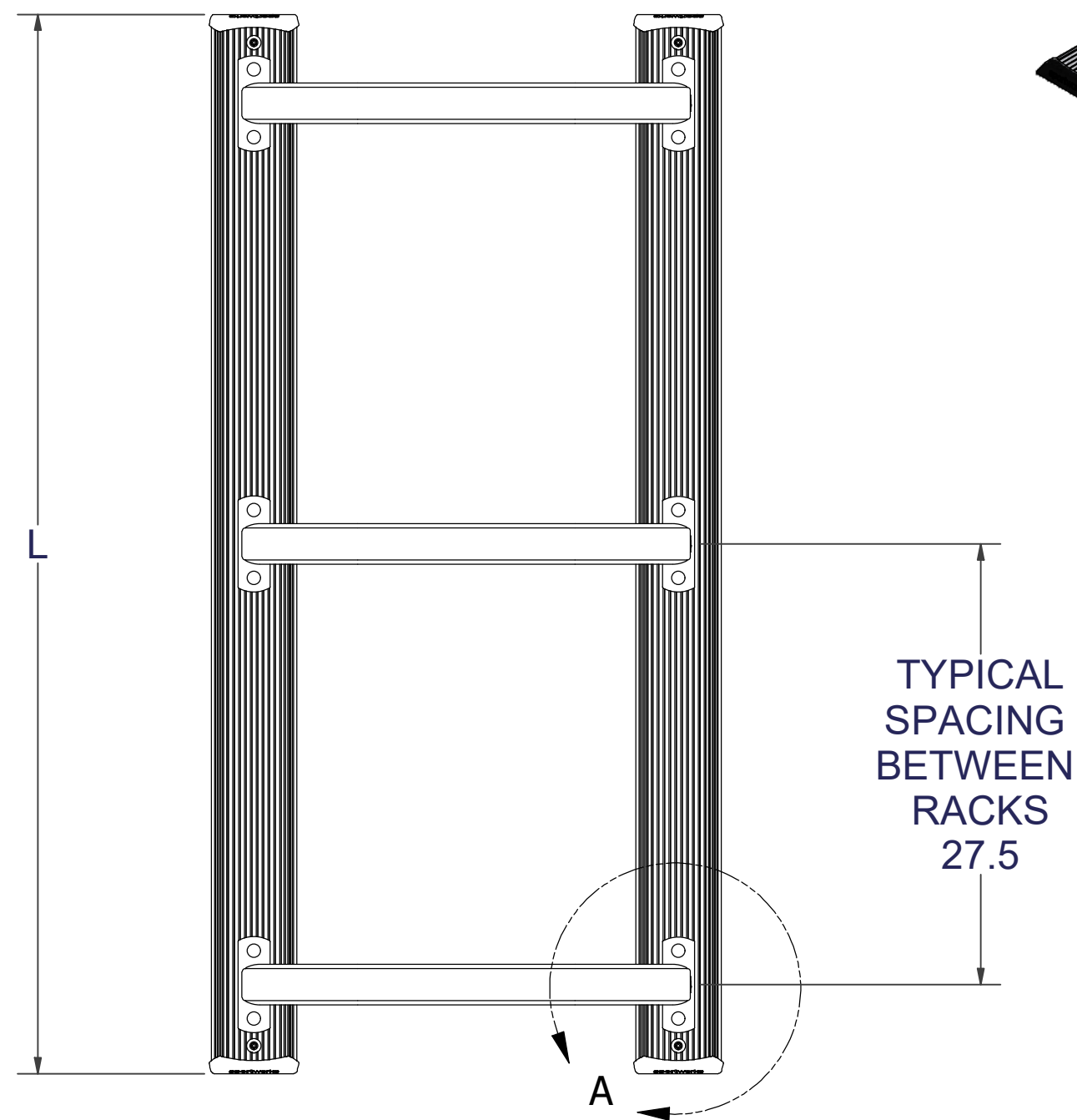
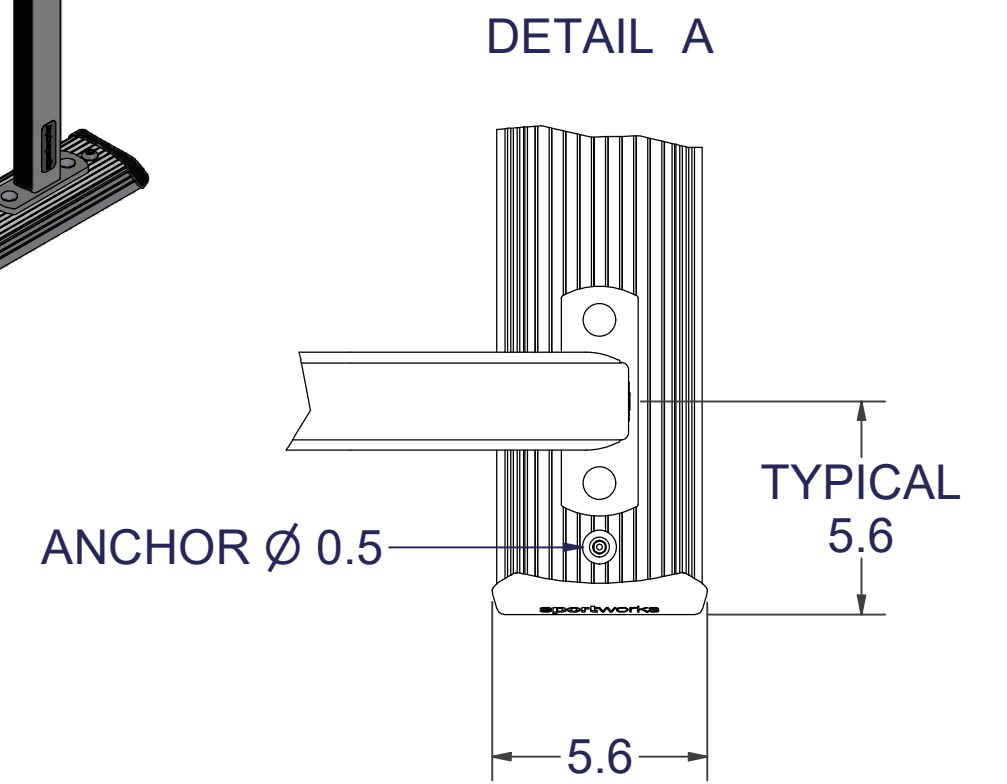
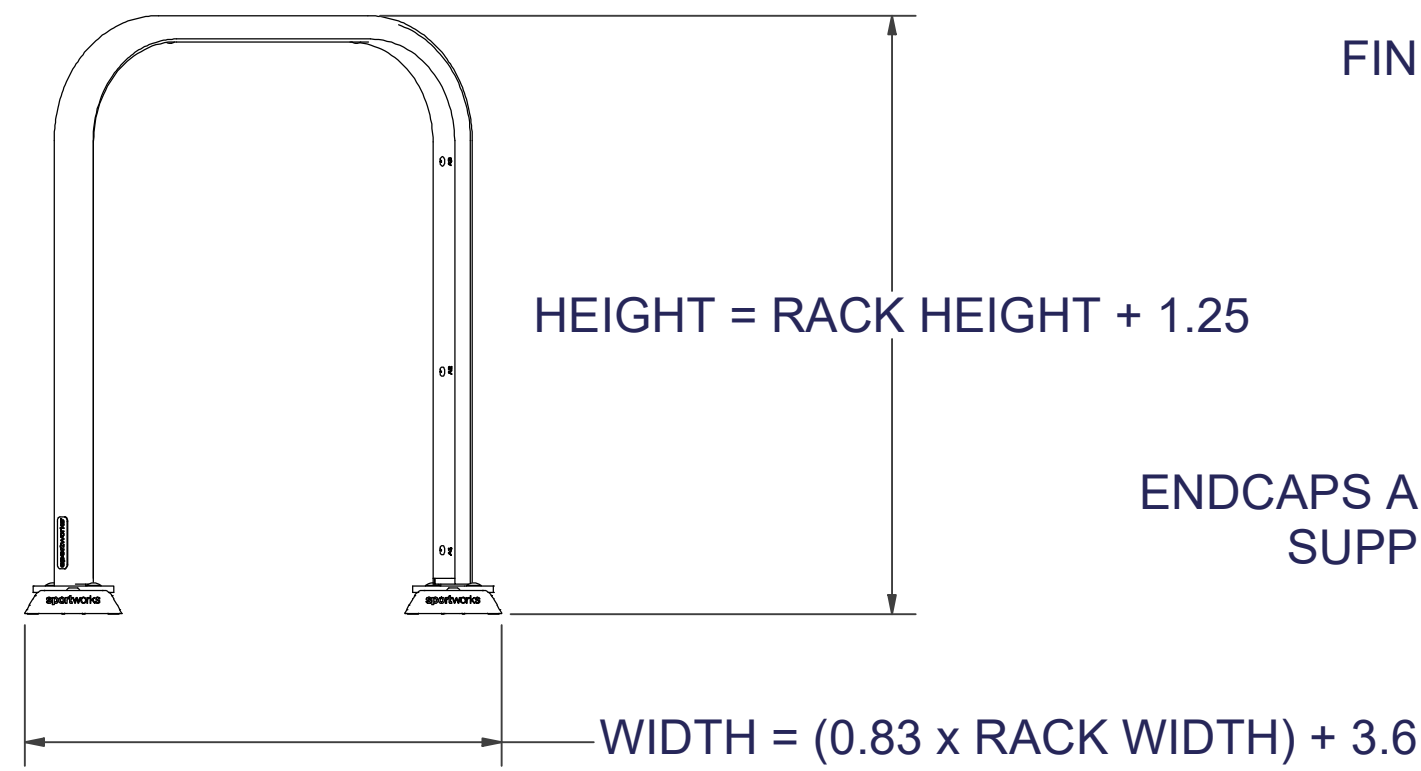


MATERIAL: 6061 T6 ALUMINIUM
FINISH: TYPE II, CLASS 1 CLEAR ANODIZE



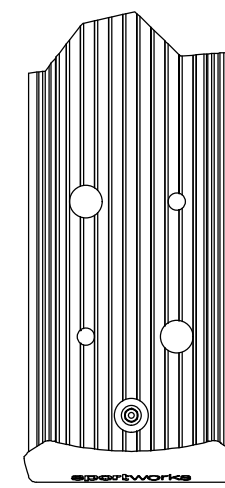
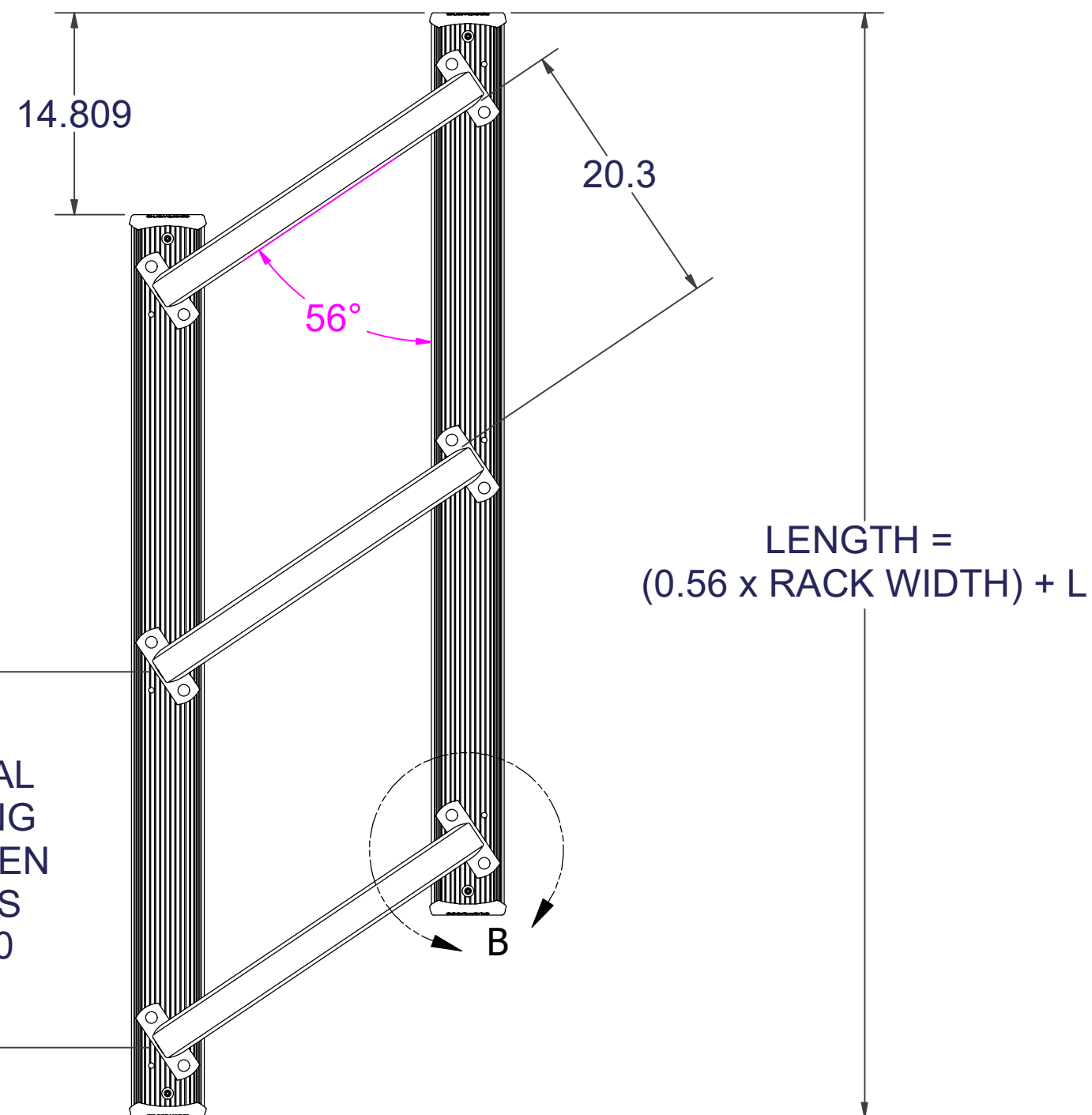
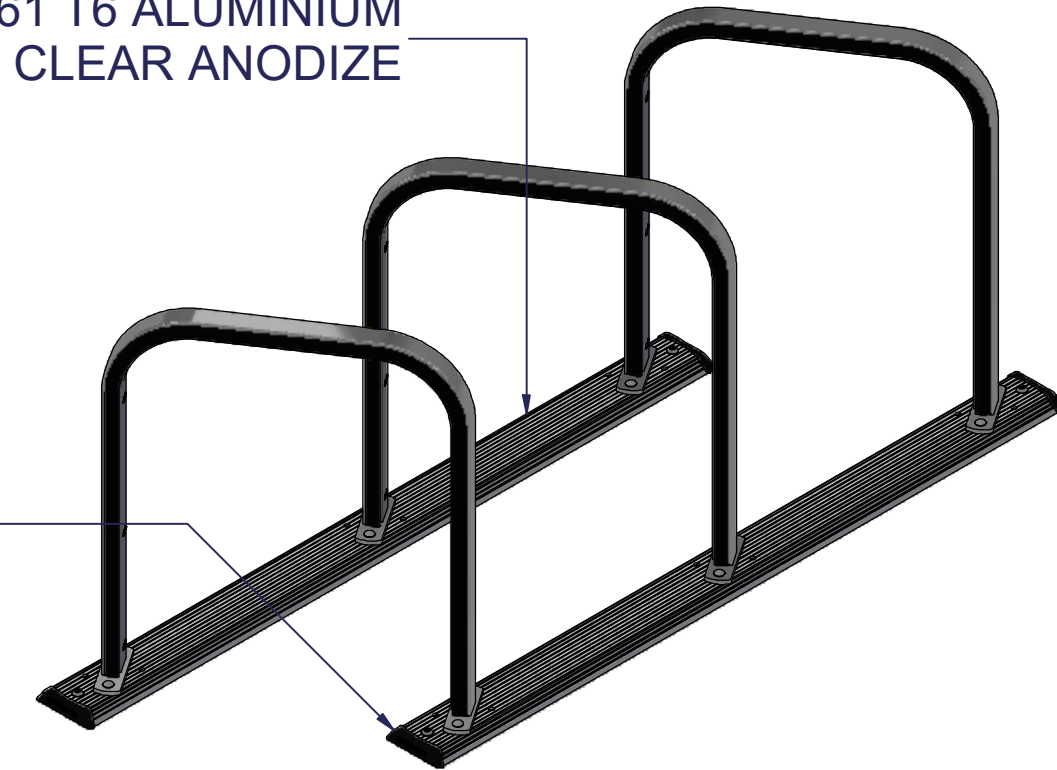
Mounting Rail Dimensions		
Mounting Rail Type	Rail Length (L)	Weight
6 Bike	66.1	24.7
8 Bike	93.6	34.7
10 Bike	121.1	44.7

*MOUNTING RAILS SHOWN WITH TOFINO NO-SCRATCH RACKS
MOUNTING RAILS FIT ALL SPORTWORKS RACKS WITH 2 HOLE FEET

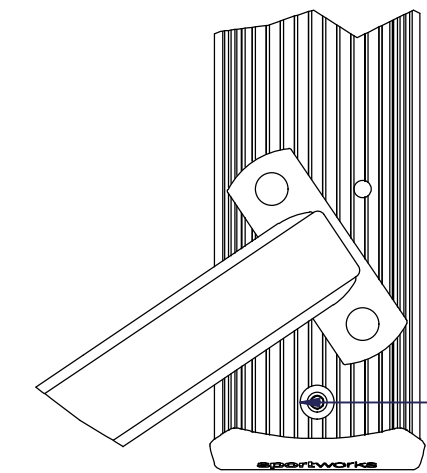


MATERIAL: 6061 T6 ALUMINIUM
FINISH: TYPE II, CLASS 1 CLEAR ANODIZE

ENDCAPS AND ALL FASTENERS
SUPPLIED WITH RAIL KITS



DETAIL WITH
STANDARD RACK
FOOT

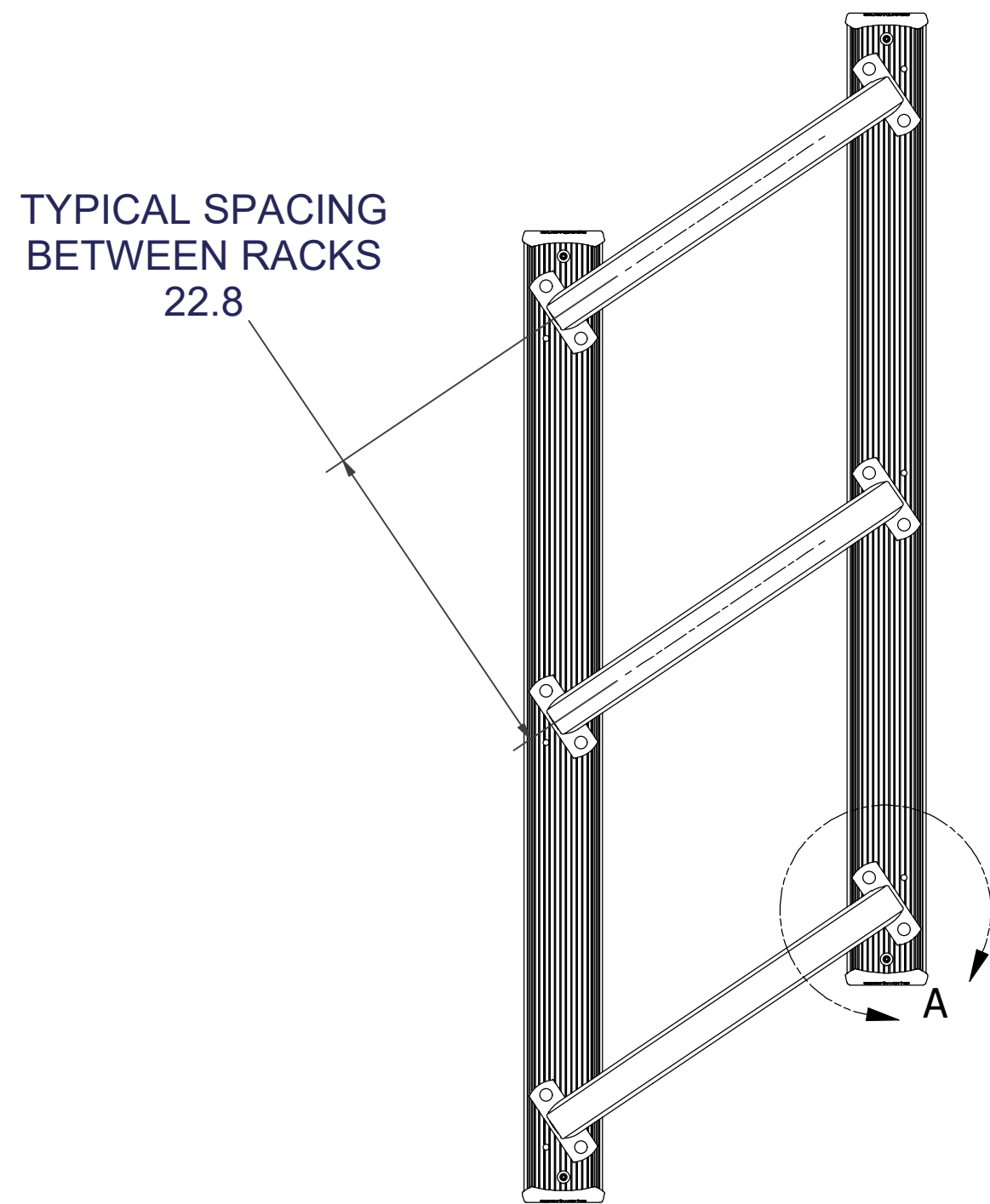
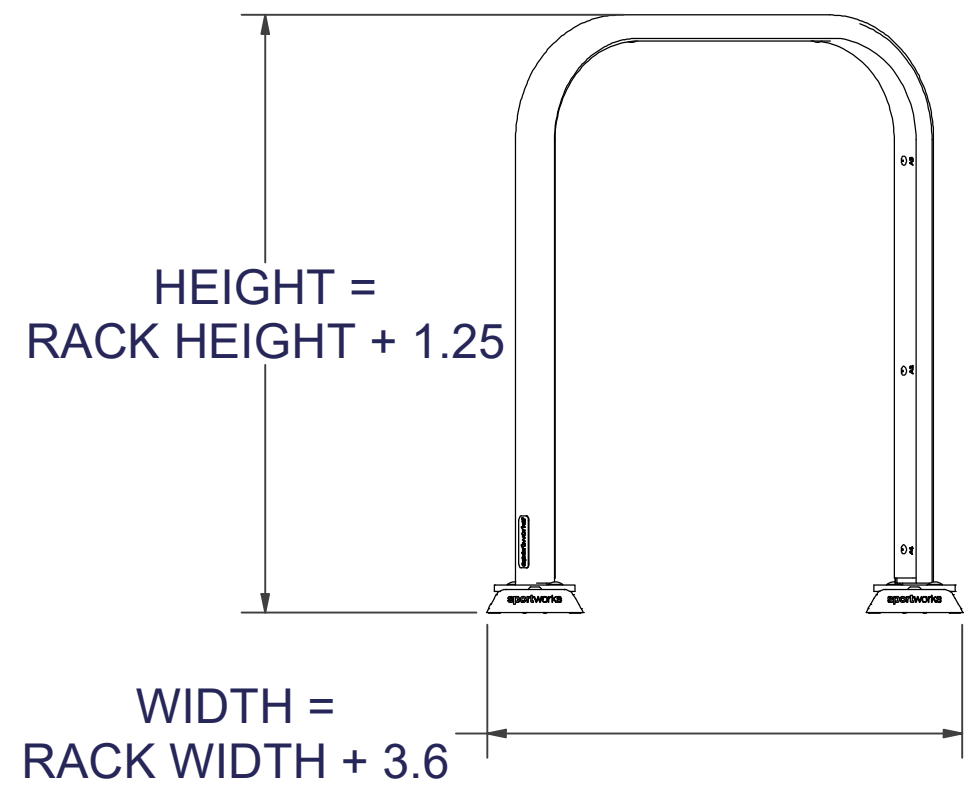


DETAIL WITH
NO-SCRATCH RACK
FOOT

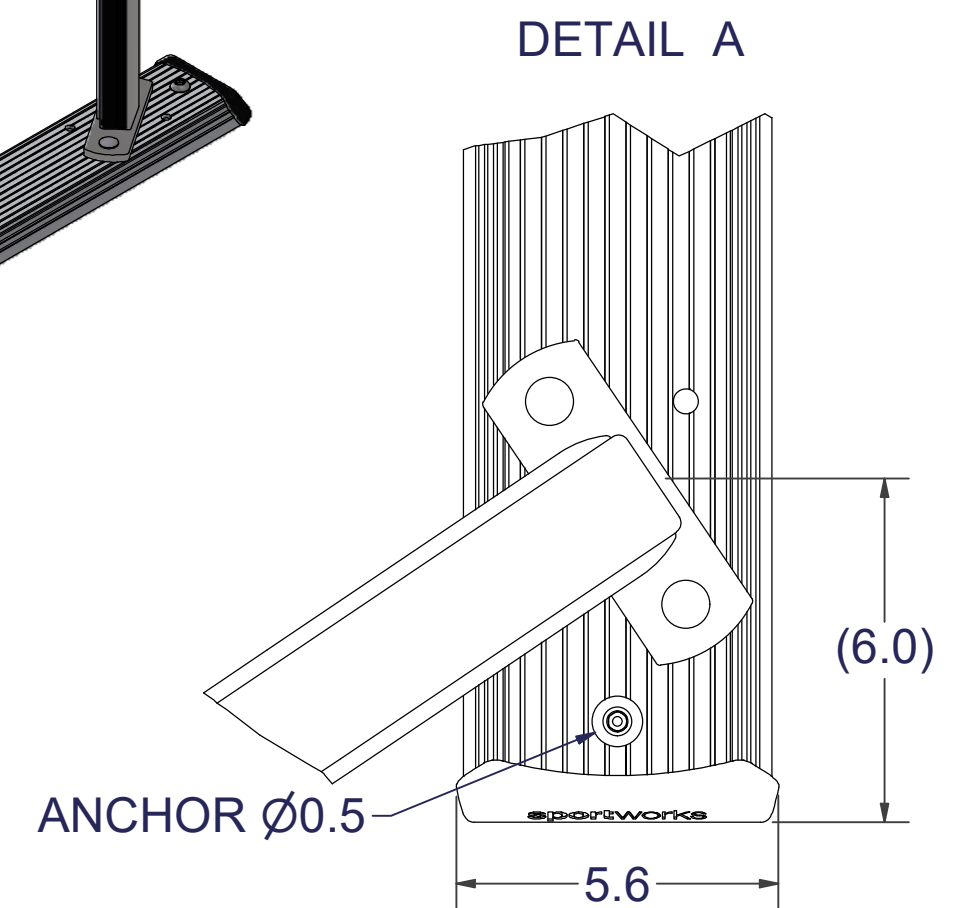
ANCHOR Ø0.5

Mounting Rail Dimensions		
Mounting Rail Type	Rail Length (L)	Weight
6 Bike	66.1	24.7
8 Bike	93.6	34.7
10 Bike	121.1	44.7

*MOUNTING RAILS SHOWN WITH TOFINO NO-SCRATCH RACKS
MOUNTING RAILS FIT ALL SPORTWORKS RACKS WITH 2 HOLE FEET

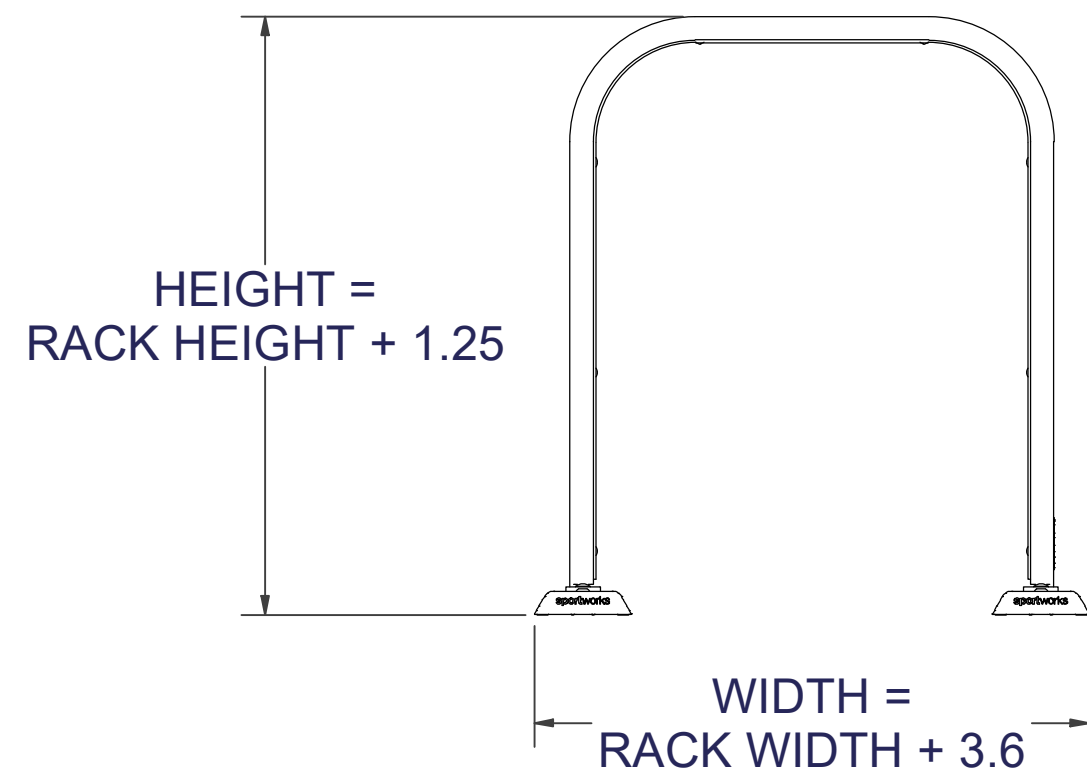


MATERIAL: 6061 T6 ALUMINUM
FINISH: TYPE II, CLASS 1 CLEAR ANODIZE

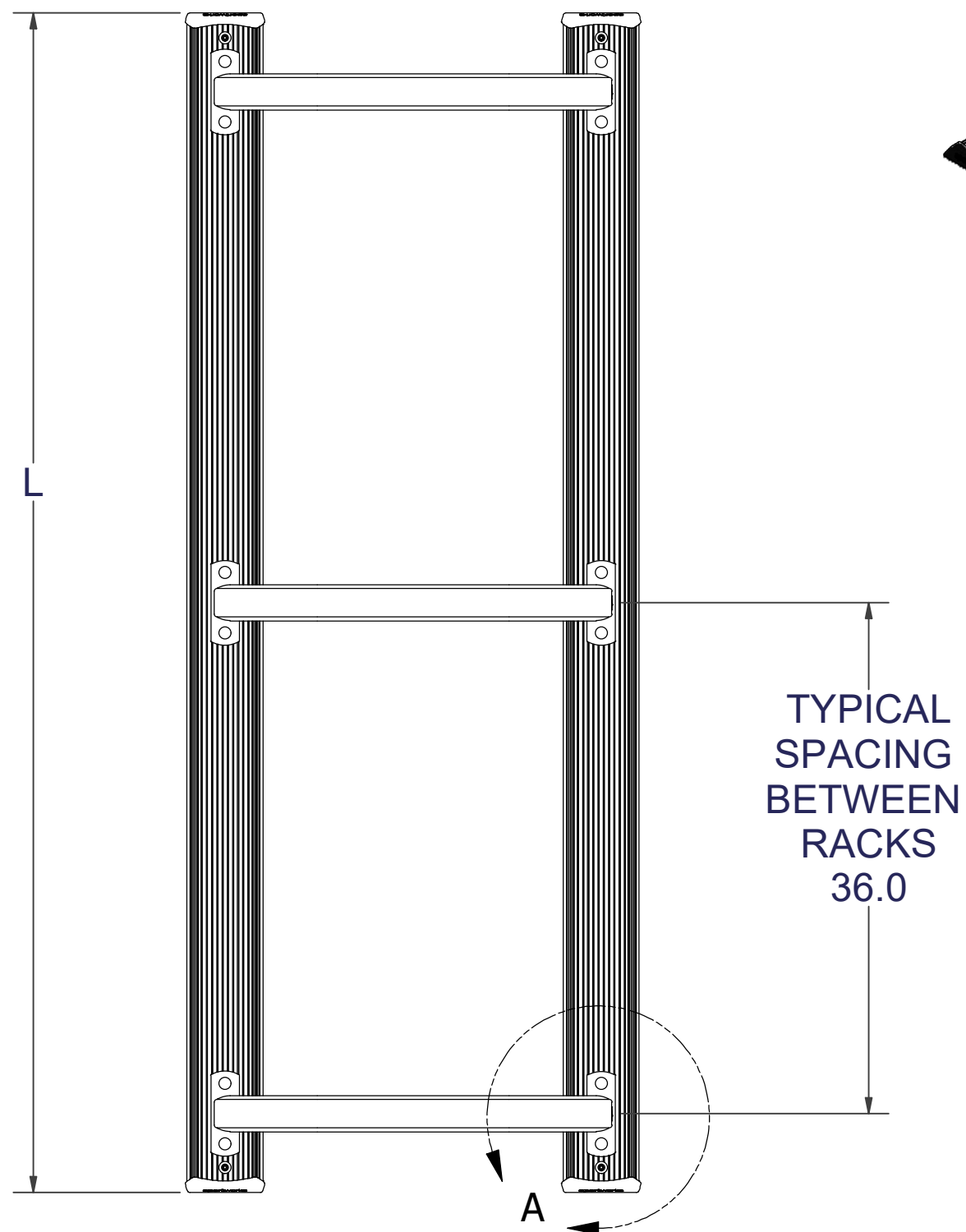
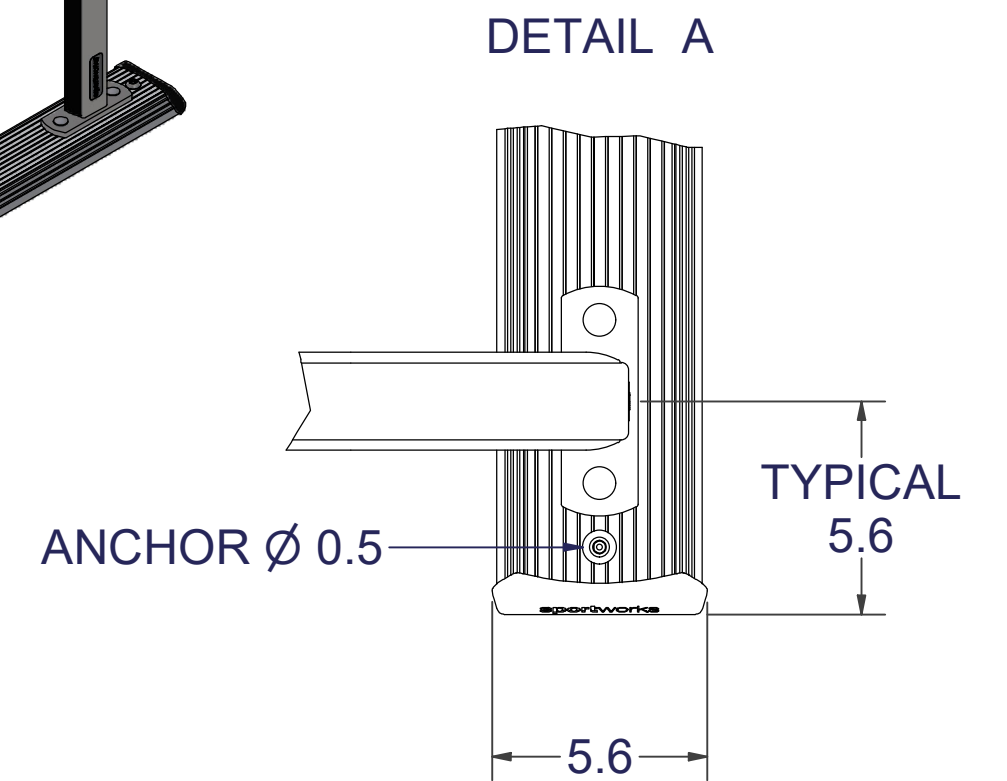


Mounting Rail Dimensions		
Mounting Rail Type	Rail Length (L)	Weight
6 BIKE	65	24.1
8 BIKE	92.5	34.2
10 BIKE	120	44.4

MOUNTING RAILS SHOWN WITH TOFINO NO-SCRATCH RACKS
MOUNTING RAILS FIT ALL SPORTWORKS RACKS WITH 2 HOLE FEET



MATERIAL: 6061 T6 ALUMINIUM
FINISH: TYPE II, CLASS 1 CLEAR ANODIZE



Mounting Rail Dimensions		
Mounting Rail Type	Rail Length (L)	Weight
6 Bike	82	30.3
8 Bike	118	43.7
10 Bike	154	57.0

*MOUNTING RAILS SHOWN WITH TOFINO NO-SCRATCH RACKS
MOUNTING RAILS FIT ALL SPORTWORKS RACKS WITH 2 HOLE FEET