



- Secure parking and charging for up to two (2) bicycles per rack
- Integrated UL-certified power outlets
- No Scratch bumper protects bikes and the rack from damage
- Streamlined, modern design
- Superior durability and vandal-resistance with rectangular tubing
- Wheel and frame lockable; Compatible with various locks including U-locks
- Versatile design can accommodate virtually any bicycle or scooter
- Made in USA

## Tofino™ E-Rack

No Scratch® Charging E-bike Rack



### Easy to Install

Simple 2-step electrical connection. Includes conduit fitting and easily-accessible grounding.

### No Scratch® Bumper

Protects the bicycle and the rack from scratches and dents; Vandal-resistant and durable.

#### » MATERIAL AND FINISH OPTIONS:

- Stainless Steel (Bead Blast Satin), Qty: \_\_\_\_\_
- Mild Steel, Qty: \_\_\_\_\_
  - Powder Coat, Color: \_\_\_\_\_
  - Thermoplastic (Plascoat®)\*, Color: \_\_\_\_\_

#### » MOUNTING OPTIONS:







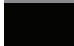
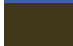

- Surface Mount (0.375" x 2" x 6" flat bar foot)
  - Concrete Wedge Anchors
  - Asphalt Anchors
    - Add Tamper-resistant Nuts
- Mounting Rails (see submittal sheet for options)
  - Concrete Wedge Anchors
  - Asphalt Anchors

CONTRACTOR: \_\_\_\_\_

PROJECT: \_\_\_\_\_

NOTES: \_\_\_\_\_

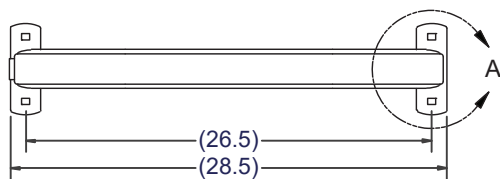
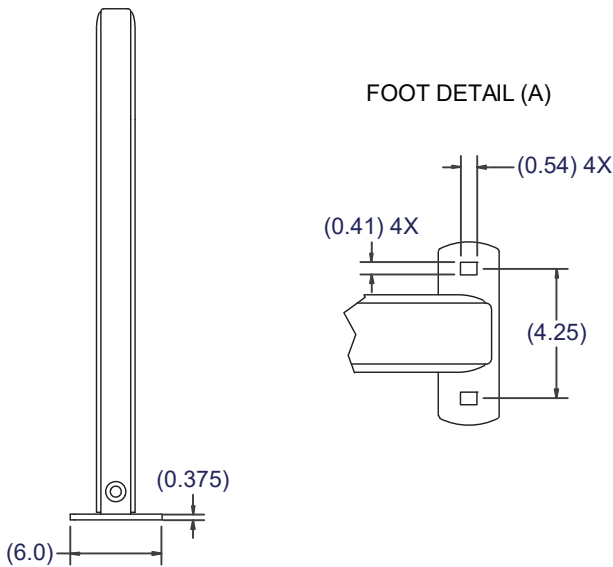
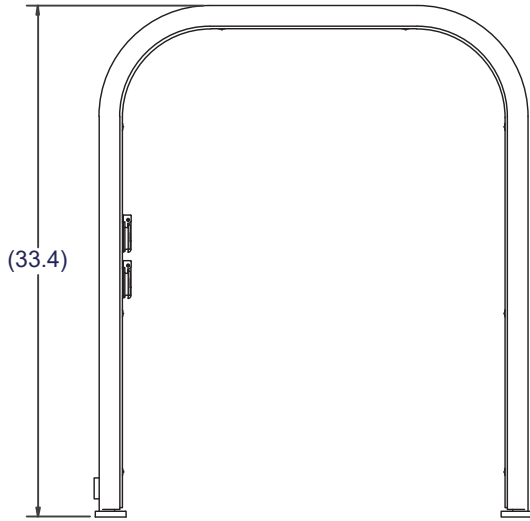
\_\_\_\_\_

	White		Dk. Blue*		Green
	Silver		Blue		Yellow
	Black		Brown		Red

\* Dark Blue is not available in Plascoat

Plascoat is a registered trademark of Axalta Coating Systems, LLC and/or its affiliates

# Specifications and Dimensions



## » STANDARD SPECIFICATIONS

Weight: 32 lbs  
Outer Tube: 2" x 1" x 0.12"  
Flat Inner Bar: 0.25" x 2"

## » ELECTRICAL

Outlet: Qty 2, 125 Volt; 15 Amp  
Certification: UL



IP54 rated: Dust and water-resistant outlets



Ideal for interior and covered exterior locations



Outlets are ergonomically positioned close to connection point on e-bikes and scooters



Secures up to 2 bicycles; U-lock compatible



Stainless steel models feature over 87% total recycled content



Made in USA  
Washington State

# Tofino™ E-Rack

No Scratch® Charging E-bike Rack

All measurements are in inches

Features and specifications are subject to change without notice.  
Copyright © 2024 Sportworks Global LLC. All rights reserved.



**sportworks**®

sportworks.com