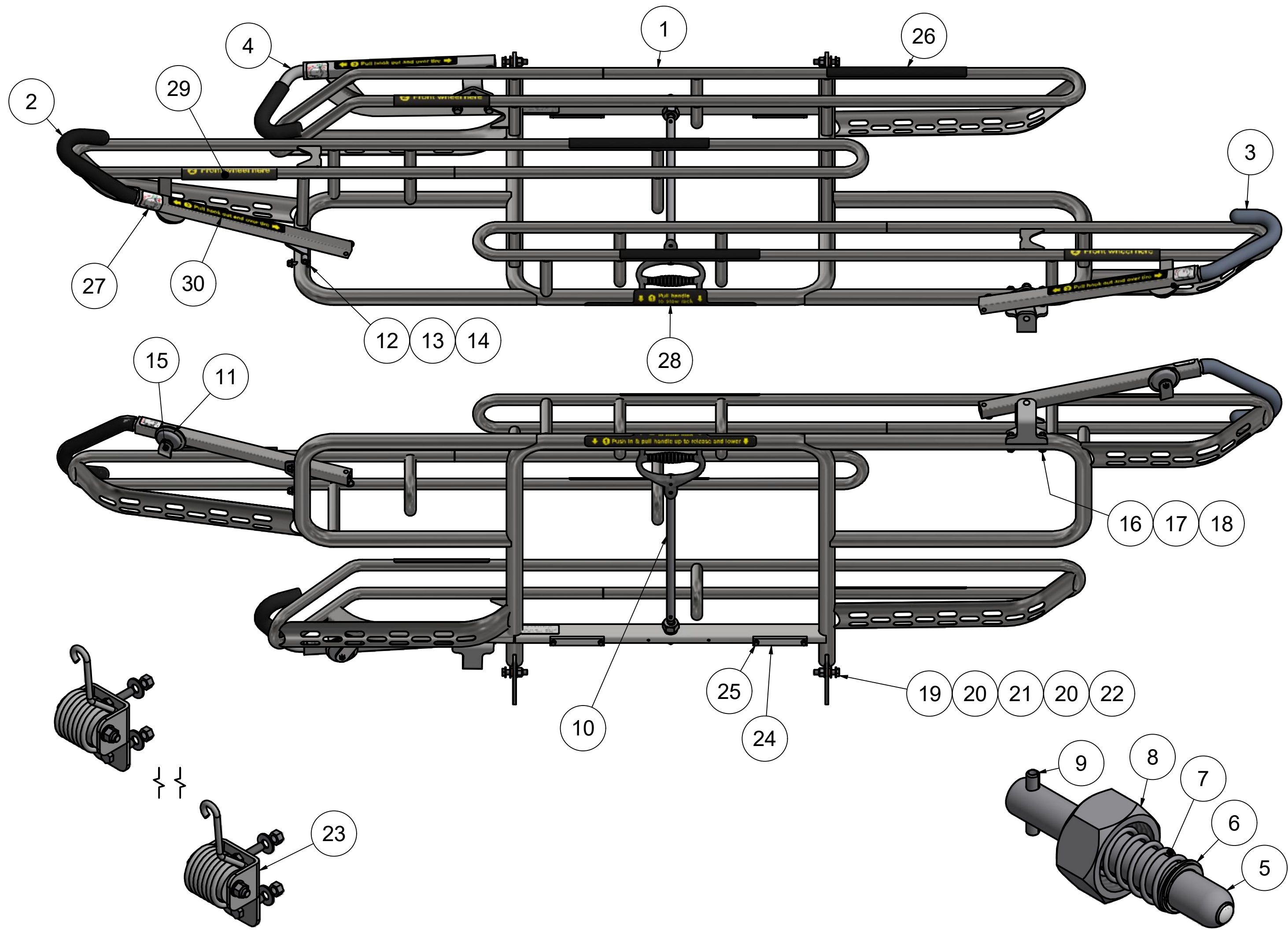


PARTS LIST FOR 100567 & 100546 TRILOGY RACKS



LATCH PIN DETAIL

PARTS LIST - 4-DIGIT P/NS ARE NOT SET UP FOR SALE. PLEASE CONTACT SPORTWORKS FOR REPLACEMENT P/NS

ITEM	QTY	PART NO	TITLE
1	1	XXXX	Frame Weldment - see table at btm of this page for P/Ns
2	1	8292-PEN	Prebuild Support Arm Assembly, All Stainless, Peened
3	1	8776-PEN	Trilogy Mirror Support Arm Assembly Long , w/SS Washer, Bead Blast
4	1	8777-PEN	Trilogy Mirror Support Arm Assembly Short , w/SS Washer, Bead Blast
5	1	8386	BRFB LATCH PIN SUB-ASSY
6	1	7647	WASHER, FLAT, .505 x .685 x .030, Stainless
7	1	7068	SPRING, Compression, Latch Pin, Stainless
8	1	7071	SS Hex Cap for DL2 Latch Pin Assembly
9	1	5205	PIN, ROLL, .15625 OD x .875, 18-8 Stainless
10	1	5420	Trilogy Latch Handle Sub Assy
11	3	4675	MAGNET, 45LB, Neodymium w/Stainless Steel Cup, 2.375" dia
12	2	7004	HHCS, 1/4-20 x 1.5, Stainless
13	2	7012	WASHER, FLAT, 1/4 SS
14	2	7009	NUT, HEX, 1/4-20, Nylock, Stainless
15	3	7010	NUT, NYLOCK 10-32, SS
16	4	9385	HHCS, 5/16-18 x 1.5, 18-8 Stainless
17	4	7819	WASHER, FLAT, 5/16, SAE, Stainless
18	4	4578	NUT, HEX, LOCK, two-way Center Lock, 5/16-18, 18-8 Stainless
19	2	9513	HHCS, 3/8-16 x 1.75, 18-8 Stainless
20	4	7013	WASHER, FLAT, 3/8 SS
21	2	7035	BEARING, FLANGE, .625-.875 OD x .375 ID x .125-.250 thk x .5L, Bronze, Sinstered, Oilite
22	2	7011	NUT, NYLOCK 3/8-16 NYLOCK, SS
23	2	8846	MMT Torsion Spring Sub Assembly
24	2	8848	Wear Pad, MMT Torsion Spring Kit
25	4	8854	HHCS, Self-Drilling, w/ Washer, #10 x .75, Stainless
26	3	7109	RACK CHAIN GUARD
27	3	3537	LABEL, MMT Support Arm Placement
28	1	9803	LABEL, # 1, Pull Handle to Stow Rack/ Push In & Pull Handle Up to Release and Lower
29	3	9810	LABEL V2/ V3, No. 2, Front Wheel Here (English only)
30	3	9811	LABEL No. 3, PULL HOOK UP

BIKE RACK WELDMENT PARTS LIST - 4-DIGIT P/NS ARE NOTE SET UP FOR SALE. PLEASE CONTACT SPORTWORKS FOR REPLACEMENT P/NS

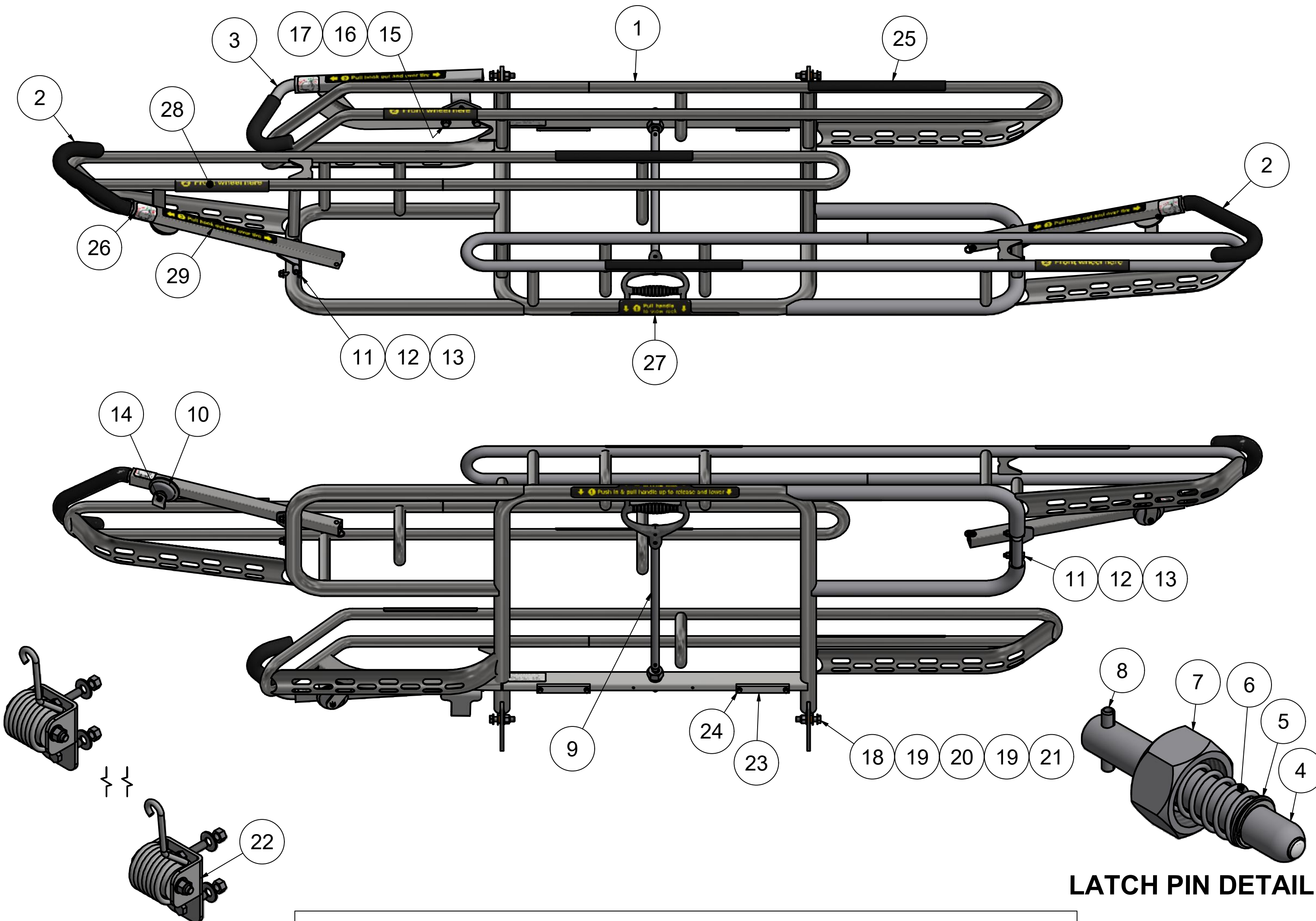
BIKE RACK P/N PREFIX	STAINLESS (ANTI-GLARE)	-BLK (BLACK)	-WHT (WHITE)
100567	8825-PEN	8825-BLK	8825-WHT
100546	N/A	8756-BLK	8756-WHT

NOTES

1. SEE FOLLOWING PAGES FOR PART LISTS FOR SUBASSEMBLIES AND OPTIONS

Sportworks Northwest, Inc. 15540 Woodinville-Redmond Rd. NE, Bldg A-200 Woodinville, WA 98072, PH: 425-483-7000, FX: 425-488-9001	TITLE	Trilogy (DL3) Parts and Options Breakdown
	DWG NO.	100567, 100546, 101329, 101328
PROPRIETARY: THIS IS PROPRIETARY INFORMATION AND IS NOT TO BE REFERENCED OR DISTRIBUTED WITHOUT PRIOR WRITTEN AUTHORIZATION OF SPORTWORKS NORTHWEST, INC.	REV	A
SIZE C2B NO DRAWING SCALE SHEET 1 OF 9		

PARTS LIST FOR 101328 & 101329 TRILOGY RACKS



PARTS LIST			
ITEM	QTY	PART NO	TITLE
1	1	XXXX	Frame Weldment - see table at btm of this page for P/Ns
2	2	8292-PEN	Prebuild Support Arm Assembly, All Stainless, Peened
3	1	8777-PEN	Trilogy Mirror Support Arm Assembly Short , w/SS Washer, Bead Blast
4	1	8386	BRFB LATCH PIN SUB-ASSY
5	1	7647	WASHER, FLAT, .505 x .685 x .030, Stainless
6	1	7068	SPRING, Compression, Latch Pin, Stainless
7	1	7071	SS Hex Cap for DL2 Latch Pin Assembly
8	1	5205	PIN, ROLL, .15625 OD x .875, 18-8 Stainless
9	1	5420	Trilogy Latch Handle Sub Assy
10	3	4675	MAGNET, 45LB, Neodymium w/Stainless Steel Cup, 2.375" dia
11	4	7004	HHCS, 1/4-20 x 1.5, Stainless
12	4	7012	WASHER, FLAT, 1/4 SS
13	4	7009	NUT, HEX, 1/4-20, Nylock, Stainless
14	3	7010	NUT, NYLOCK 10-32, SS
15	2	9385	HHCS, 5/16-18 x 1.5, 18-8 Stainless
16	2	7819	WASHER, FLAT, 5/16, SAE, Stainless
17	2	4578	NUT, HEX, LOCK, two-way Center Lock, 5/16-18, 18-8 Stainless
18	2	9513	HHCS, 3/8-16 x 1.75, 18-8 Stainless
19	4	7013	WASHER, FLAT, 3/8 SS
20	2	7035	BEARING, FLANGE, .625-.875 OD x .375 ID x .125-.250 thk x .5L, Bronze, Sinstered, Oilite
21	2	7011	NUT, NYLOCK 3/8-16 NYLOCK, SS
22	2	8846	MMT Torsion Spring Sub Assembly
23	2	8848	Wear Pad, MMT Torsion Spring Kit
24	4	8854	HHCS, Self-Drilling, w/ Washer, #10 x .75, Stainless
25	3	7109	RACK CHAIN GUARD
26	3	3537	LABEL, MMT Support Arm Placement
27	1	9803	LABEL, # 1, Pull Handle to Stow Rack/ Push In & Pull Handle Up to Release and Lower
28	3	9810	LABEL V2/ V3, No. 2, Front Wheel Here (English only)
29	3	9811	LABEL No. 3, PULL HOOK UP

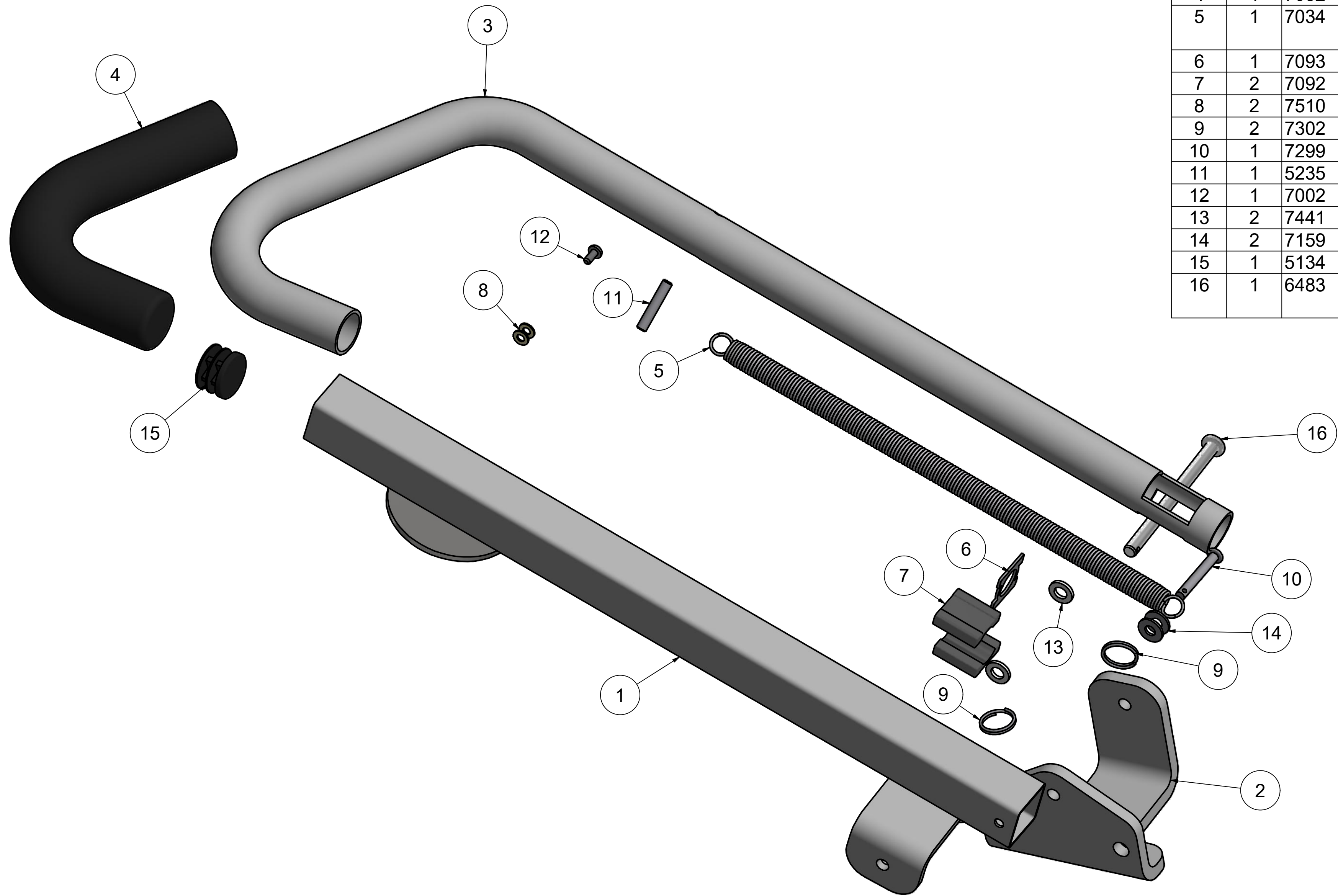
BIKE RACK WELDMENT PARTS LIST - 4-DIGIT P/Ns ARE NOTE SET UP FOR SALE. PLEASE CONTACT SPORTWORKS FOR REPLACEMENT P/Ns

BIKE RACK P/N PREFIX	STAINLESS (ANTI-GLARE)	-BLK (BLACK)	-WHT (WHITE)
101329	6926-PEN	6926-BLK	-
101328	N/A	6921-BLK	-

NOTES
1. SEE FOLLOWING PAGES FOR PART LISTS FOR SUBASSEMBLIES AND OPTIONS

Sportworks Northwest, Inc. 15540 Woodinville-Redmond Rd. NE, Bldg A-200 Woodinville, WA 98072, PH: 425-483-7000, FX: 425-488-9001	TITLE	Trilogy (DL3) Parts and Options Breakdown
	DWG NO.	100567, 100546, 101329, 101328
PROPRIETARY: THIS IS PROPRIETARY INFORMATION AND IS NOT TO BE REFERENCED OR DISTRIBUTED WITHOUT PRIOR WRITTEN AUTHORIZATION OF SPORTWORKS NORTHWEST, INC.	REV	A
SIZE C2B NO DRAWING SCALE		SHEET 2 OF 9

8777 SUPPORT ARM PARTS



PARTS LIST - 4-DIGIT P/Ns ARE NOTE SET UP FOR SALE. PLEASE CONTACT SPORTWORKS FOR REPLACEMENT P/Ns

ITEM	QTY	PART NO	TITLE
1	1	8775-PEN	Trilogy Support Arm Housing Short, Bead Blast
2	1	6491-PEN	Trilogy Support Arm Formed Hinge Bead Blast Finish
3	1	9774	Trilogy Rear Position Support Arm Hook - SS
4	1	7082	GRIP, Molded, .815 ID x 11 in long, dip molded vinyl
5	1	7034	SPRING, EXTENSION, std Bus Rack Hook, Stainless, Custom
6	1	7093	STOP PLATE
7	2	7092	ACETAL SLIDER PIECE
8	2	7510	WASHER, NYLON, .312 OD X .156 ID X .031
9	2	7302	RING, SPLIT, .670 O.D. X .051 WIRE DIA, SS
10	1	7299	PIN, CLEVIS, 3/16 X 1 1/4 SS
11	1	5235	PIN, ROLL, .1875 x 1, 18-8 Stainless
12	1	7002	PHCS, 6-32 X 5/16, SS
13	2	7441	WASHER, NYLON, 1/4 ID
14	2	7159	WASHER, FLAT, #10, SAE, Stainless
15	1	5134	PLUG, Tube End, Flat End, Black, for 7/8 in. tube
16	1	6483	PIN, Clevis, .25 x 3.23 (3.066" usable length), Alloy Steel, GR 8, Yellow Zinc

Sportworks Northwest, Inc.

15540 Woodinville-Redmond Rd. NE, Bldg A-200
Woodinville, WA 98072, PH: 425-483-7000, FX: 425-488-9001

PROPRIETARY: THIS IS PROPRIETARY INFORMATION AND IS NOT TO BE REFERENCED OR DISTRIBUTED WITHOUT PRIOR WRITTEN AUTHORIZATION OF SPORTWORKS NORTHWEST, INC.

TITLE

Trilogy (DL3) Parts and Options Breakdown

DWG NO.

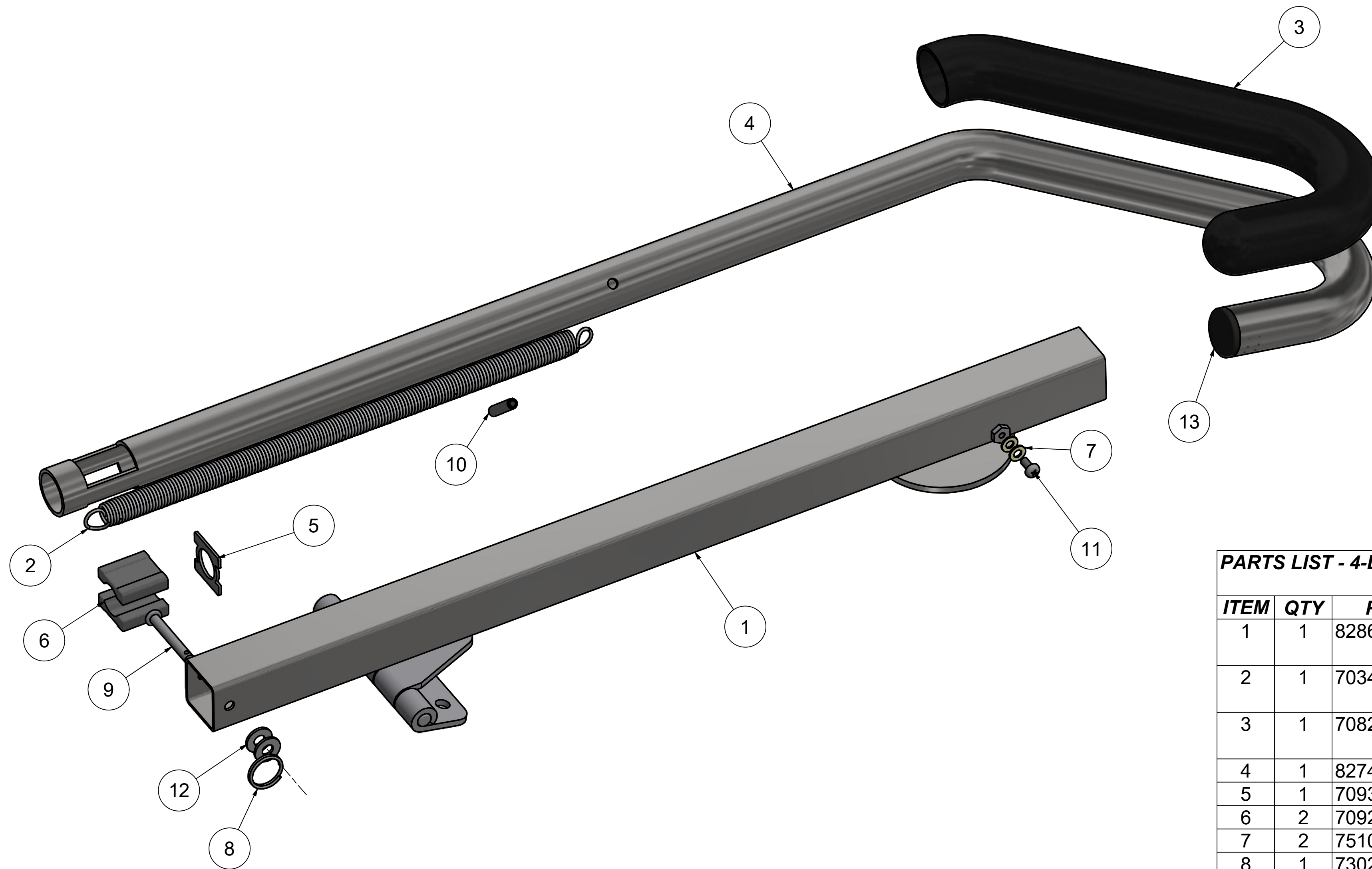
100567, 100546, 101329, 101328

REV

A

SIZE C2B | NO DRAWING SCALE | SHEET 3 OF 9

8292 SUPPORT ARM PARTS



PARTS LIST - 4-DIGIT P/Ns ARE NOT SET UP FOR SALE. PLEASE CONTACT SPORTWORKS FOR REPLACEMENT P/Ns

ITEM	QTY	PART NO	TITLE
1	1	8286-PEN	BRFB Arm Housing Weldment, 430 Stainless Washer, Bead Blast
2	1	7034	SPRING, EXTENSION, std Bus Rack Hook, Stainless, Custom
3	1	7082	GRIP, Molded, .815 ID x 11 in long, dip molded vinyl
4	1	8274	BRFB Std Support Arm Hook - Stainless
5	1	7093	STOP PLATE
6	2	7092	ACETAL SLIDER PIECE
7	2	7510	WASHER. NYLON, .312 OD X .156 ID X .031
8	1	7302	RING, SPLIT, .670 O.D. X .051 WIRE DIA, SS
9	1	7299	PIN, CLEVIS, 3/16 X 1 1/4 SS
10	1	5235	PIN, ROLL, .1875 x 1, 18-8 Stainless, Import
11	1	7002	PHCS, 6-32 X 5/16, SS
12	2	7159	WASHER, FLAT, #10, SAE, Stainless, Import
13	1	5134	PLUG, Tube End, Flat End, Black, for 7/8 in. tube

Sportworks Northwest, Inc.

15540 Woodinville-Redmond Rd. NE, Bldg A-200
Woodinville, WA 98072, PH: 425-483-7000, FX: 425-488-9001

TITLE
Trilogy (DL3) Parts and Options Breakdown

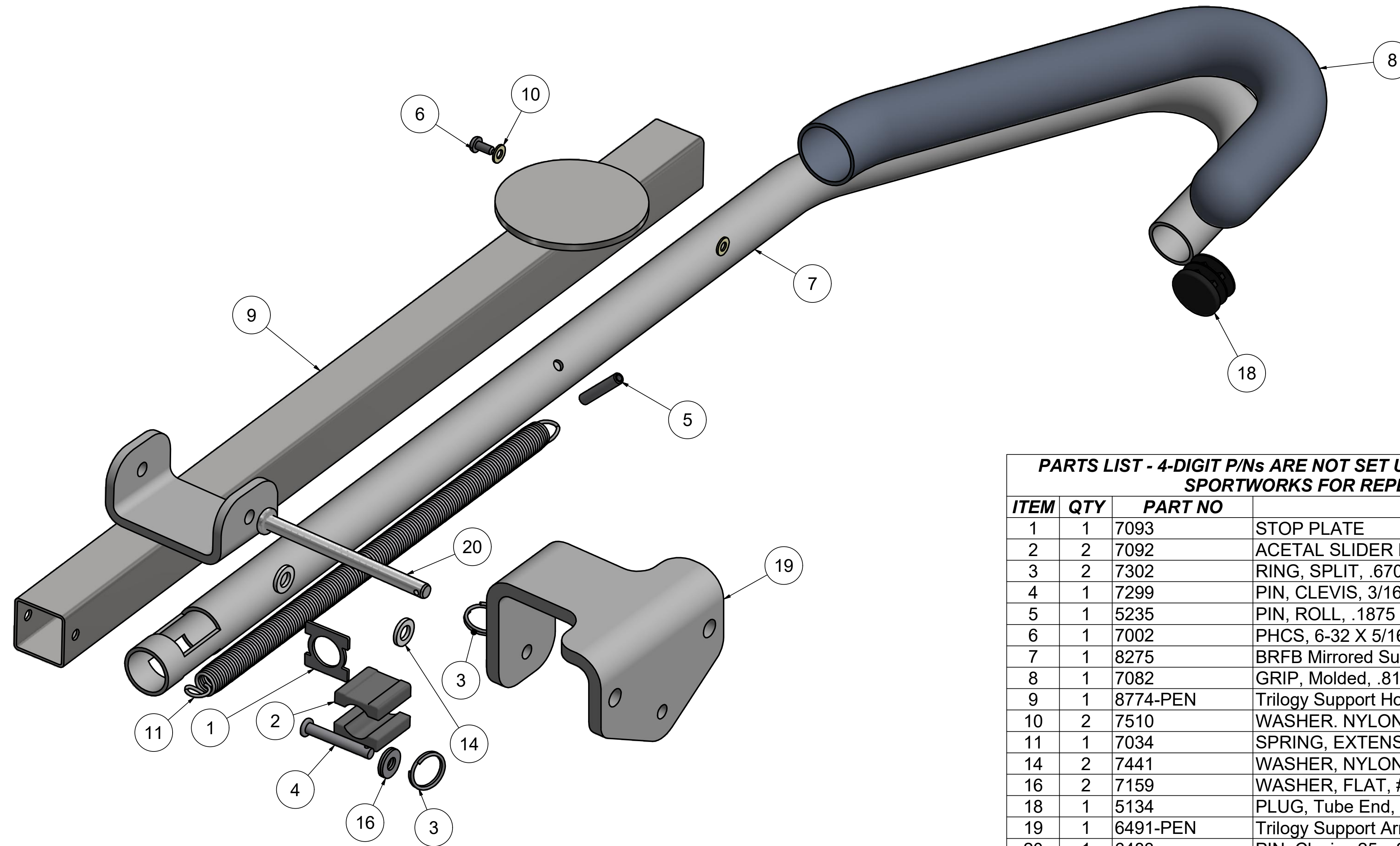
PROPRIETARY: THIS IS PROPRIETARY INFORMATION AND IS NOT TO BE REFERENCED OR DISTRIBUTED WITHOUT PRIOR WRITTEN AUTHORIZATION OF SPORTWORKS NORTHWEST, INC.

DWG NO.
100567, 100546, 101329, 101328

REV
A

SIZE C2B | NO DRAWING SCALE | SHEET 4 OF 9

8776 SUPPORT ARM PARTS



PARTS LIST - 4-DIGIT P/Ns ARE NOT SET UP FOR SALE. PLEASE CONTACT SPORTWORKS FOR REPLACEMENT P/Ns

ITEM	QTY	PART NO	TITLE
1	1	7093	STOP PLATE
2	2	7092	ACETAL SLIDER PIECE
3	2	7302	RING, SPLIT, .670 O.D. X .051 WIRE DIA, SS
4	1	7299	PIN, CLEVIS, 3/16 X 1 1/4 SS
5	1	5235	PIN, ROLL, .1875 x 1, 18-8 Stainless
6	1	7002	PHCS, 6-32 X 5/16, SS
7	1	8275	BRFB Mirrored Support Arm Hook - Stainless
8	1	7082	GRIP, Molded, .815 ID x 11 in long, dip molded vinyl
9	1	8774-PEN	Trilogy Support Housing Long, Bead Blast
10	2	7510	WASHER, NYLON, .312 OD X .156 ID X .031
11	1	7034	SPRING, EXTENSION, std Bus Rack Hook, Stainless
14	2	7441	WASHER, NYLON, 1/4 ID
16	2	7159	WASHER, FLAT, #10, SAE, Stainless
18	1	5134	PLUG, Tube End, Flat End, Black, for 7/8 in. tube
19	1	6491-PEN	Trilogy Support Arm Formed Hinge Bead Blast Finish
20	1	6483	PIN, Clevis, .25 x 3.23 (3.066" usable length), Alloy Steel, GR 8, Yellow Zinc

Sportworks Northwest, Inc.

15540 Woodinville-Redmond Rd. NE, Bldg A-200
Woodinville, WA 98072, PH: 425-483-7000, FX: 425-488-9001

PROPRIETARY: THIS IS PROPRIETARY INFORMATION AND IS NOT TO BE REFERENCED OR DISTRIBUTED WITHOUT PRIOR WRITTEN AUTHORIZATION OF SPORTWORKS NORTHWEST, INC.

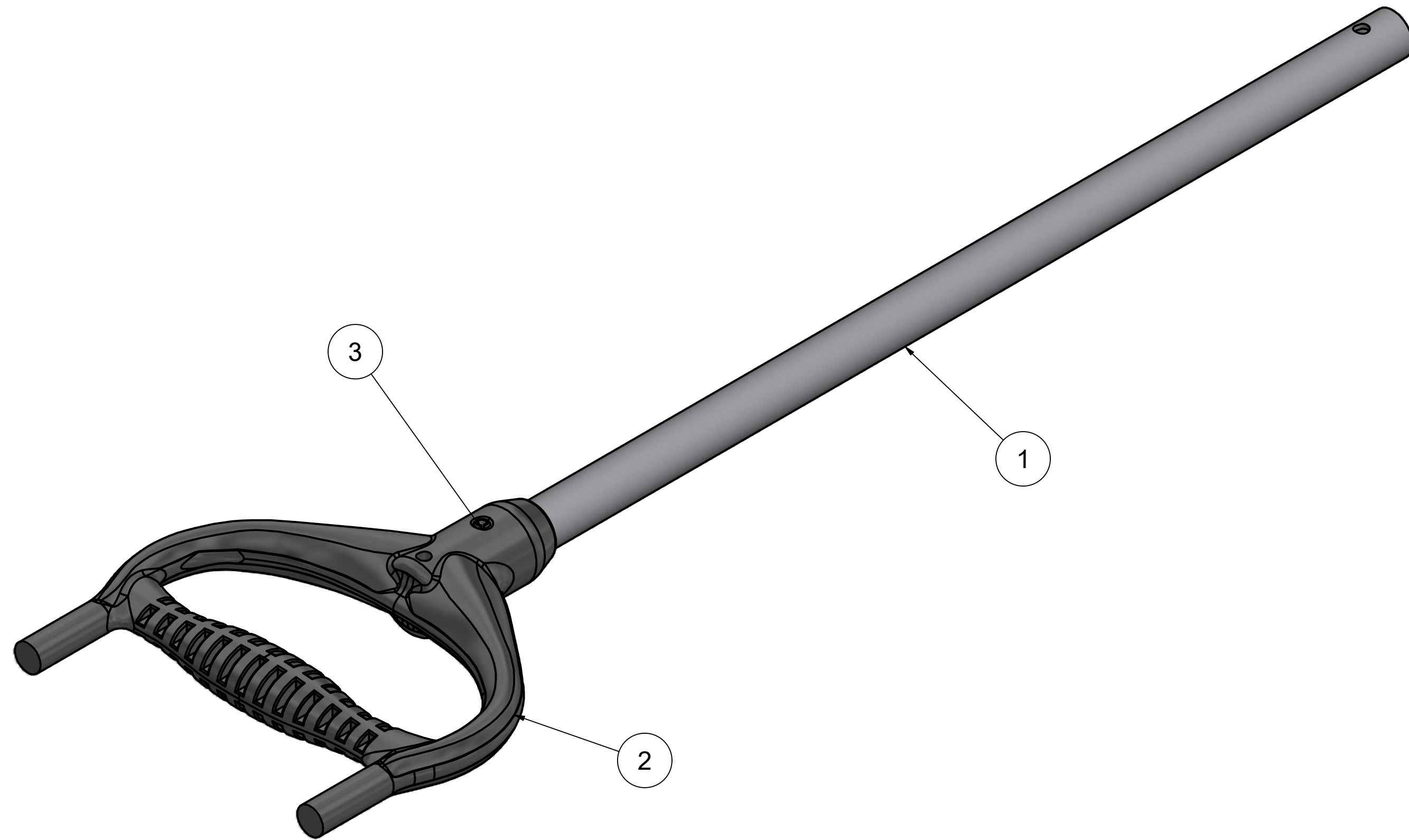
TITLE
Trilogy (DL3) Parts and Options Breakdown

DWG NO.
100567, 100546, 101329, 101328

REV
A

SIZE C2B | NO DRAWING SCALE | SHEET 5 OF 9

5420 LATCH HANDLE PARTS



PARTS LIST - 4-DIGIT P/Ns ARE NOT SET UP FOR SALE. PLEASE CONTACT SPORTWORKS FOR REPLACEMENT P/Ns

ITEM	QTY	PART NO	TITLE
1	1	5421	Trilogy Latch Handle Tube
2	1	5406	Molded Latch Handle - Black
3	1	5235	PIN, ROLL, .1875 x 1, 18-8 Stainless

Sportworks Northwest, Inc.

15540 Woodinville-Redmond Rd. NE, Bldg A-200
Woodinville, WA 98072, PH: 425-483-7000, FX: 425-488-9001

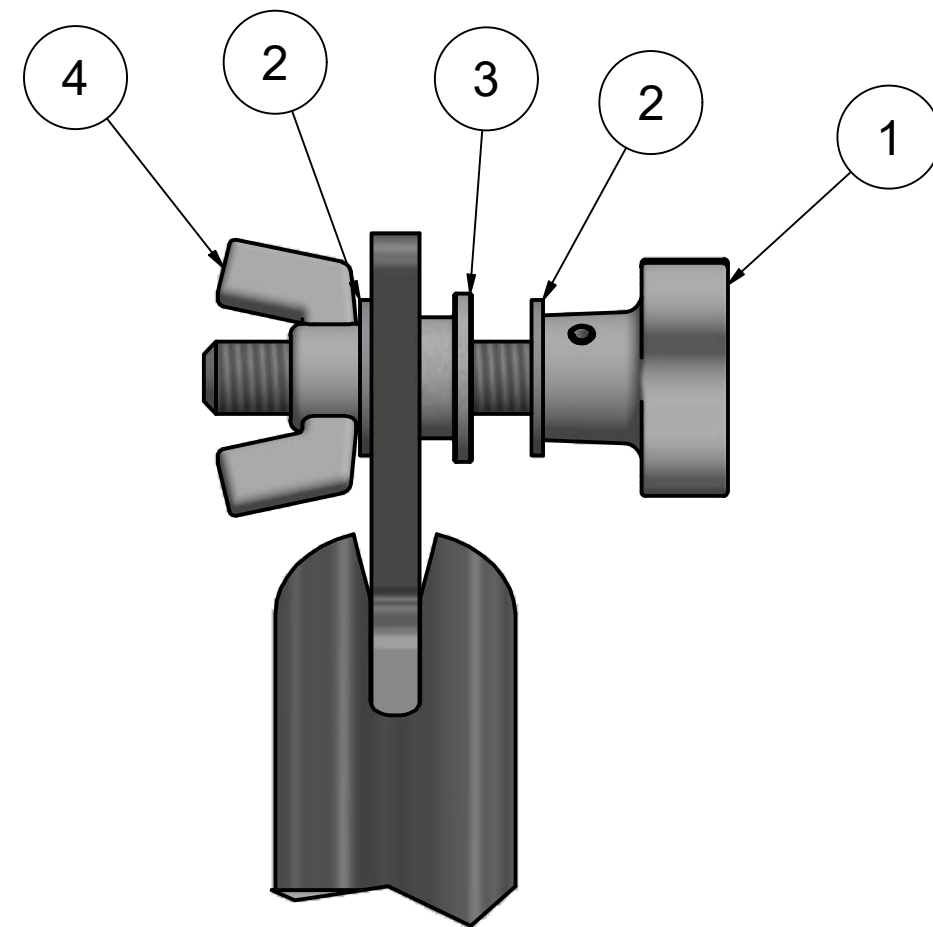
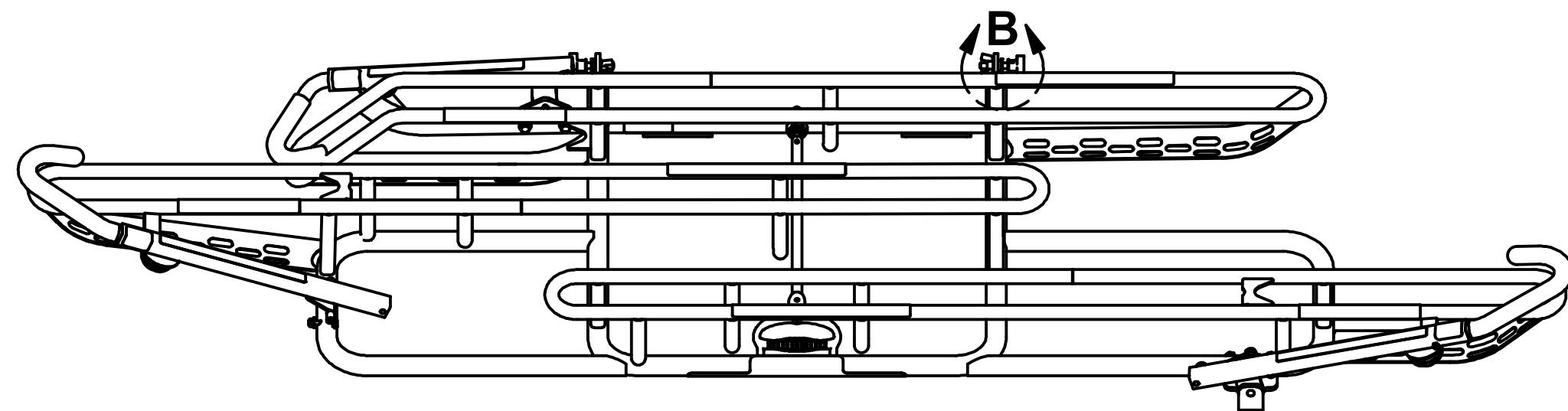
PROPRIETARY: THIS IS PROPRIETARY INFORMATION AND IS NOT TO BE REFERENCED OR DISTRIBUTED WITHOUT PRIOR WRITTEN AUTHORIZATION OF SPORTWORKS NORTHWEST, INC.

TITLE
Trilogy (DL3) Parts and Options Breakdown

DWG NO. 100567, 100546, 101329, 101328 REV A

SIZE C2B | NO DRAWING SCALE | SHEET 6 OF 9

QUICK RELEASE PIVOT BOLT PARTS (-QR OPTION)



DETAIL "B"
FRAME PARTIALLY HIDDEN FOR CLARITY

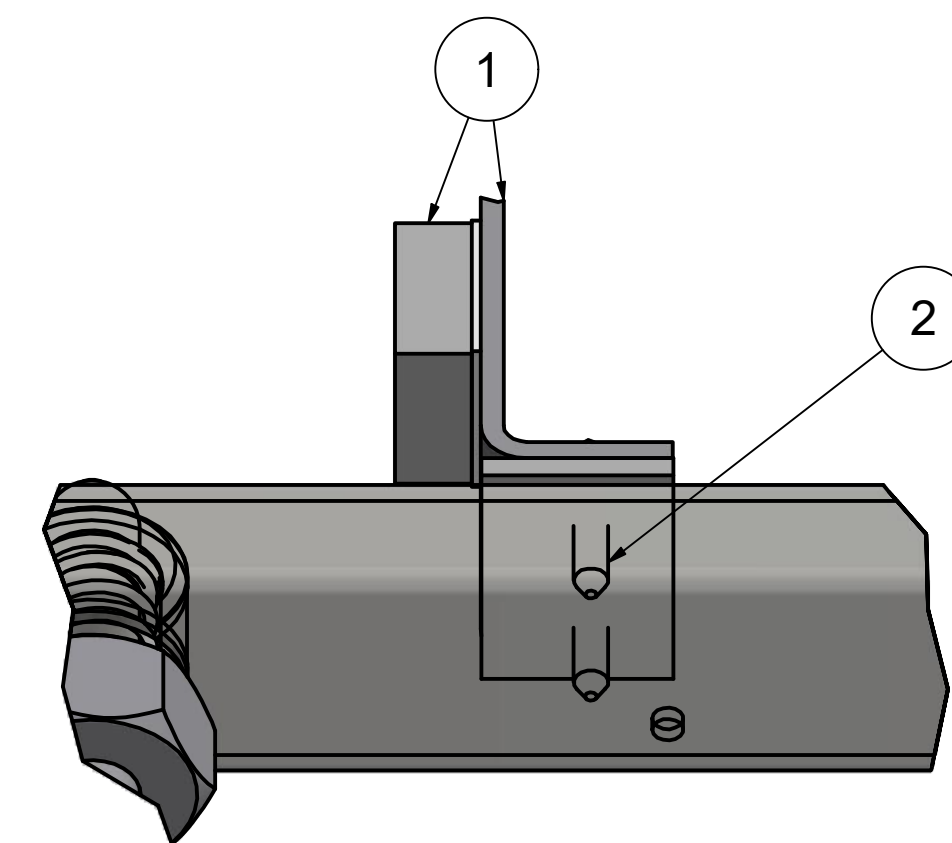
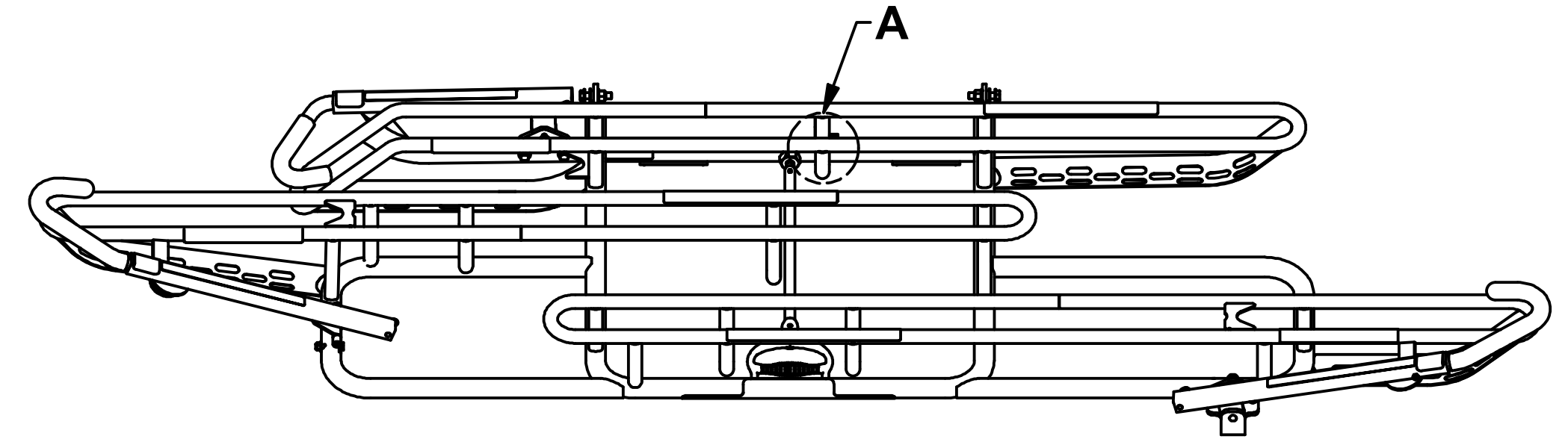
PARTS LIST - 4-DIGIT P/Ns ARE NOT SET UP FOR SALE. PLEASE CONTACT SPORTWORKS FOR REPLACEMENT P/Ns

ITEM	QTY	PART NO	TITLE
1	2	7260-PLT	Star Knob, Hand, 3/8-16 x 1.75, Stainless Stud, Al knob
2	4	7013	WASHER, FLAT, 3/8 SS
3	2	4070	BEARING, FLANGE, .625 OD x .375 ID x .5L W/ .875 OD x .063-.125 THK Flange, 17-4PH SS
4	2	7110	NUT, WING, 3/8-16, Nylock, Zinc diecast, Zinc 1

NOTES

1. THIS QUICK RELEASE PIVOT HARDWARE STACK REPLACES THE STANDARD HARDWARE STACK WHEN THIS OPTION IS SPECIFIED

DEPLOYMENT KIT PARTS (-DPLY OPTION)



DETAIL "A"
PART OF FRAME WELDMENT
HIDDEN FOR CLARITY

PARTS LIST - 4-DIGIT P/Ns ARE NOT SET UP FOR SALE. PLEASE CONTACT SPORTWORKS FOR REPLACEMENT P/Ns

ITEM	QTY	PART NO	TITLE
1	1	9454	Magnet Subassembly, Deployment Kit - part of 100501
2	6	8854	HHCS, Self-Drilling, w/ Washer, #10 x .75, Stainless

Sportworks Northwest, Inc.

15540 Woodinville-Redmond Rd. NE, Bldg A-200
Woodinville, WA 98072, PH: 425-483-7000, FX: 425-488-9001

PROPRIETARY: THIS IS PROPRIETARY INFORMATION AND IS NOT TO BE REFERENCED OR DISTRIBUTED WITHOUT PRIOR WRITTEN AUTHORIZATION OF SPORTWORKS NORTHWEST, INC.

TITLE

Trilogy (DL3) Parts and Options Breakdown

DWG NO.

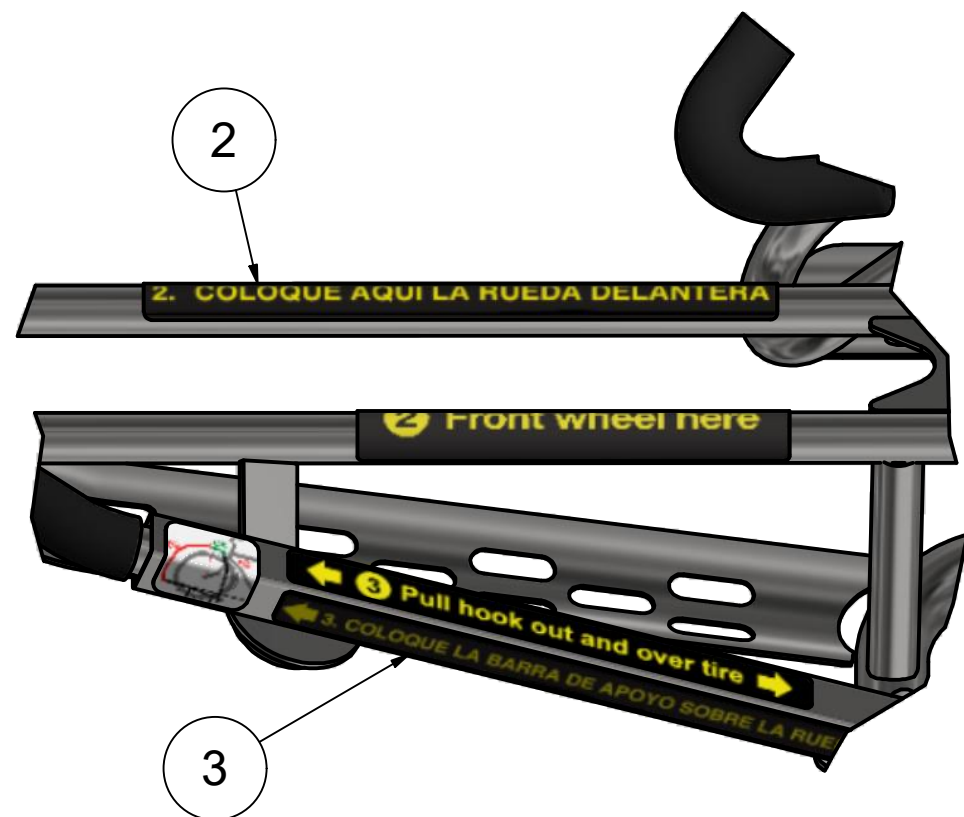
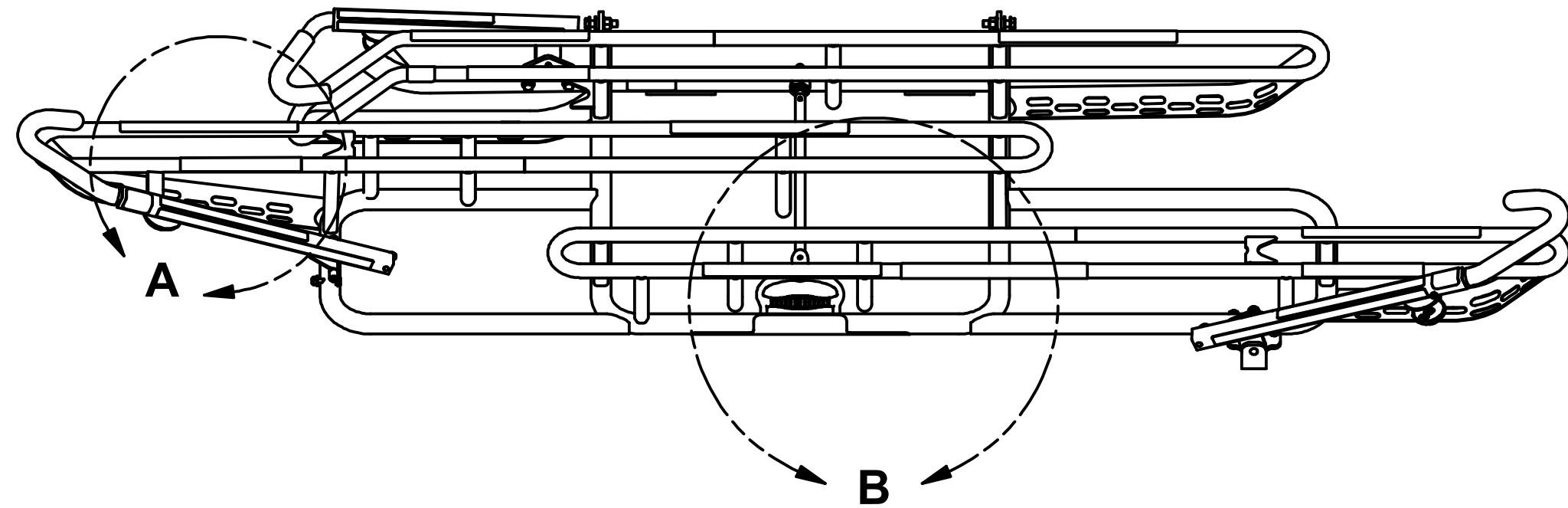
100567, 100546, 101329, 101328

REV

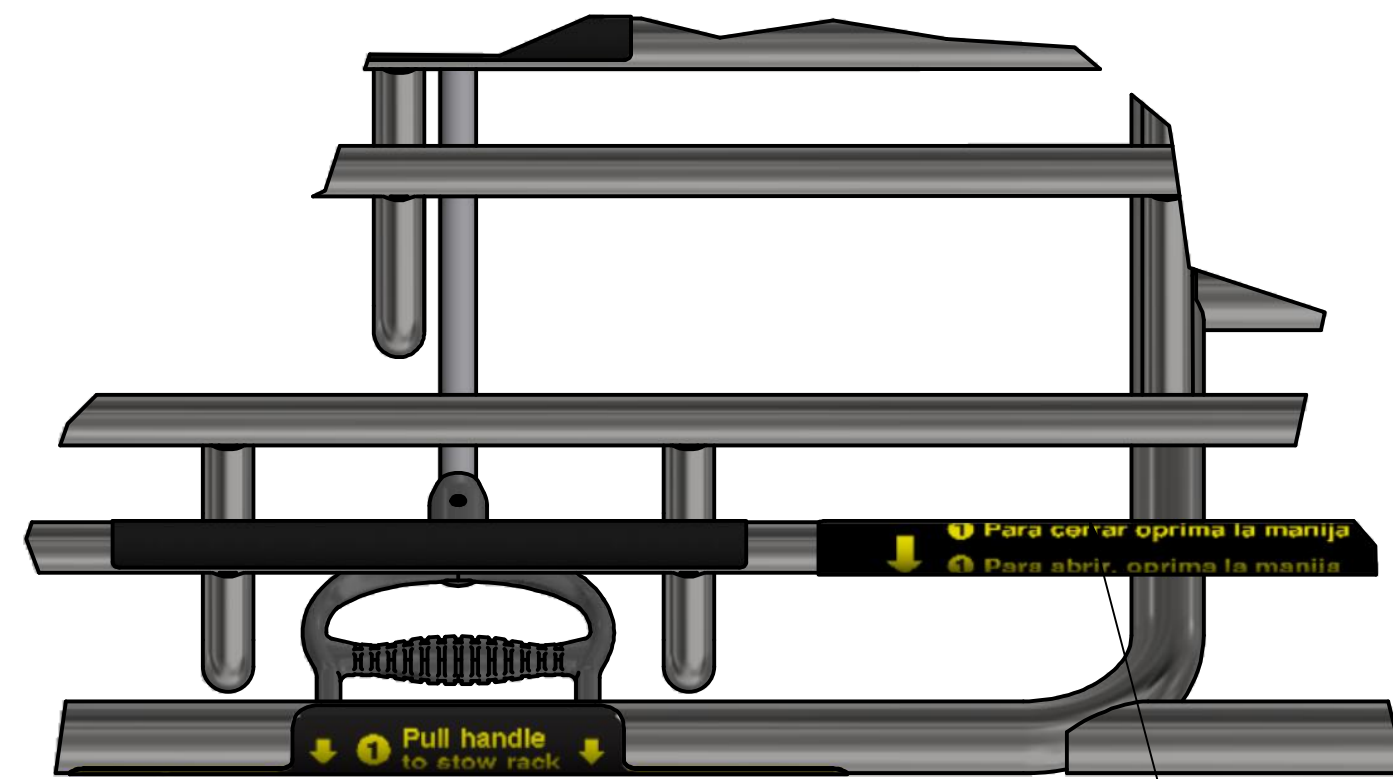
A

SIZE C2B | NO DRAWING SCALE | SHEET 7 OF 9

SPANISH LABEL PARTS (-SPAN OPTION)



DETAIL "A"



DETAIL "B"

PARTS LIST - 4-DIGIT P/Ns ARE NOT SET UP FOR SALE. CONTACT SPORTWORKS FOR REPLACEMENT P/Ns

ITEM	QTY	PART NO	TITLE
1	1	7624	LABEL, 1., Bus Rack, Spanish
2	3	7625	LABEL, 2., COLOQUE AQUI...(Spanish)
3	3	7626	LABEL, 3. COLOQUE LA BARRA...(Spanish)

Sportworks Northwest, Inc.

15540 Woodinville-Redmond Rd. NE, Bldg A-200
Woodinville, WA 98072, PH: 425-483-7000, FX: 425-488-9001

PROPRIETARY: THIS IS PROPRIETARY INFORMATION AND IS NOT TO BE REFERENCED OR DISTRIBUTED WITHOUT PRIOR WRITTEN AUTHORIZATION OF SPORTWORKS NORTHWEST, INC.

TITLE

Trilogy (DL3) Parts and Options Breakdown

DWG NO.

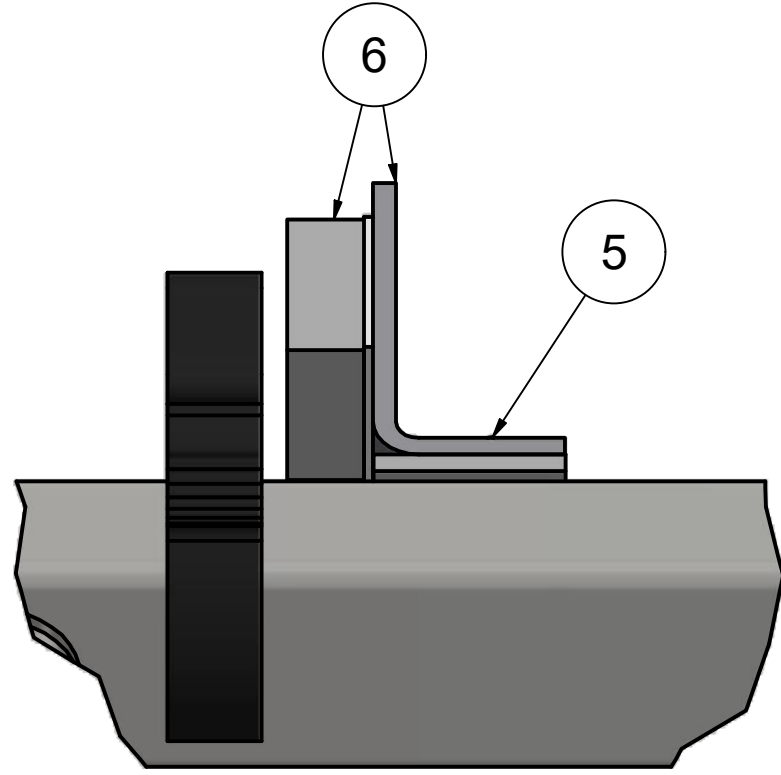
100567, 100546, 101329, 101328

REV

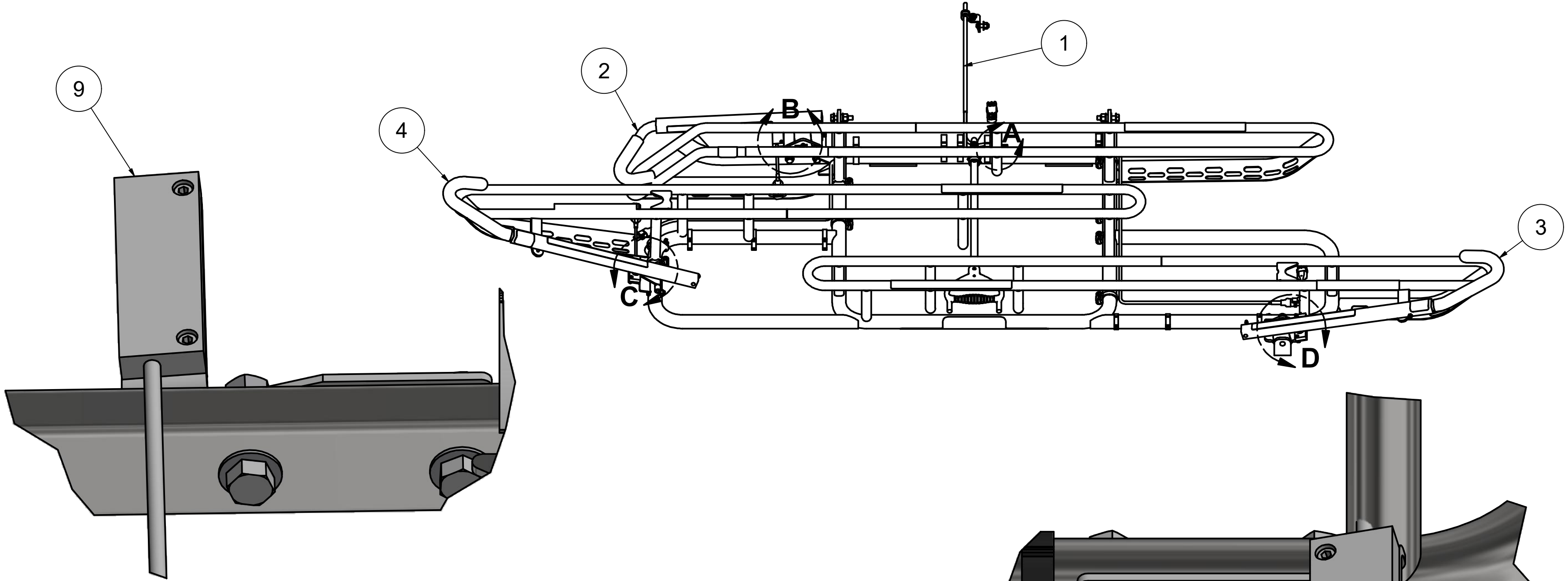
A

SIZE C2B | NO DRAWING SCALE | SHEET 8 OF 9

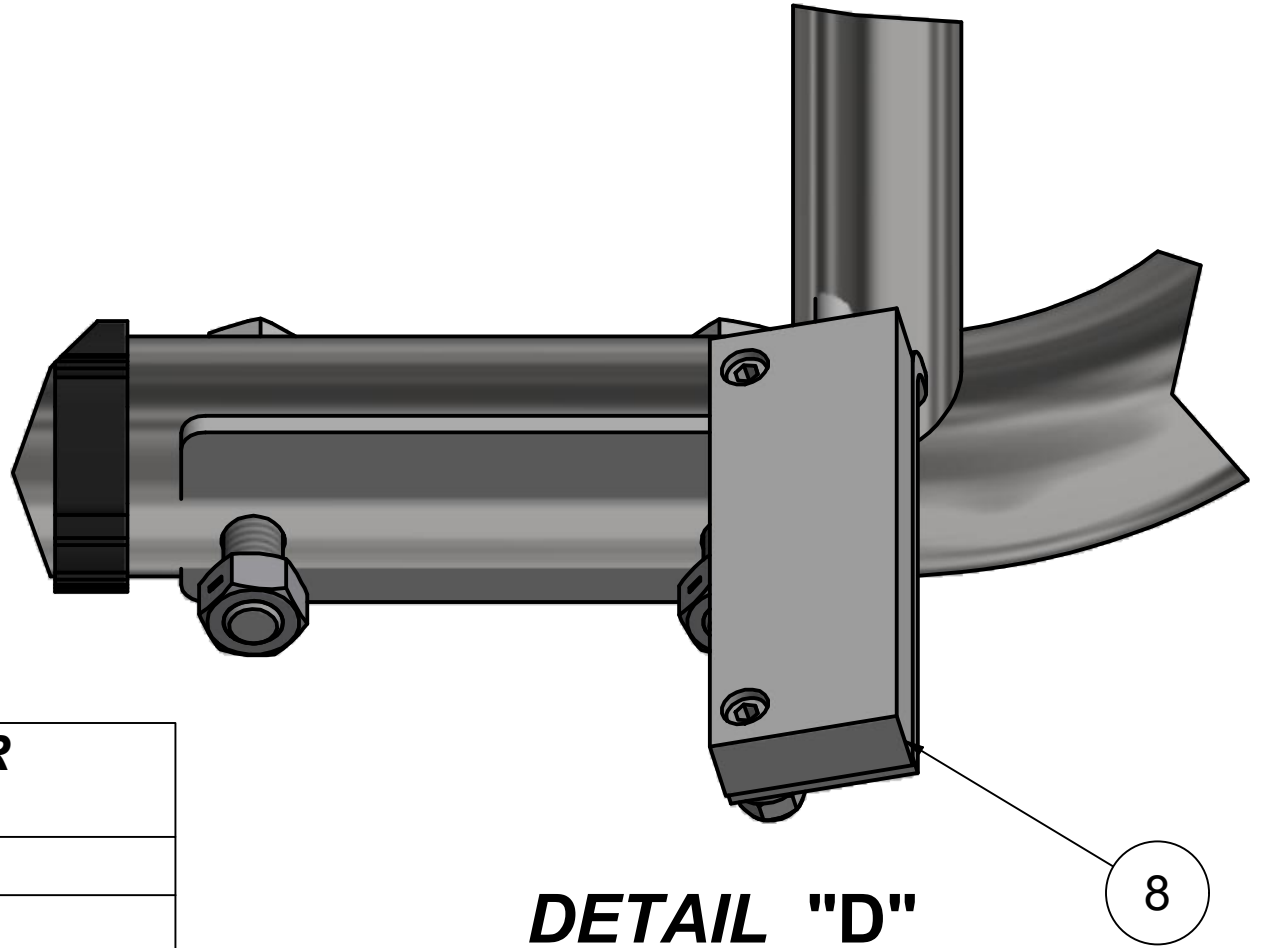
BIKE COUNTER KIT PARTS (-CNTR OPTION)



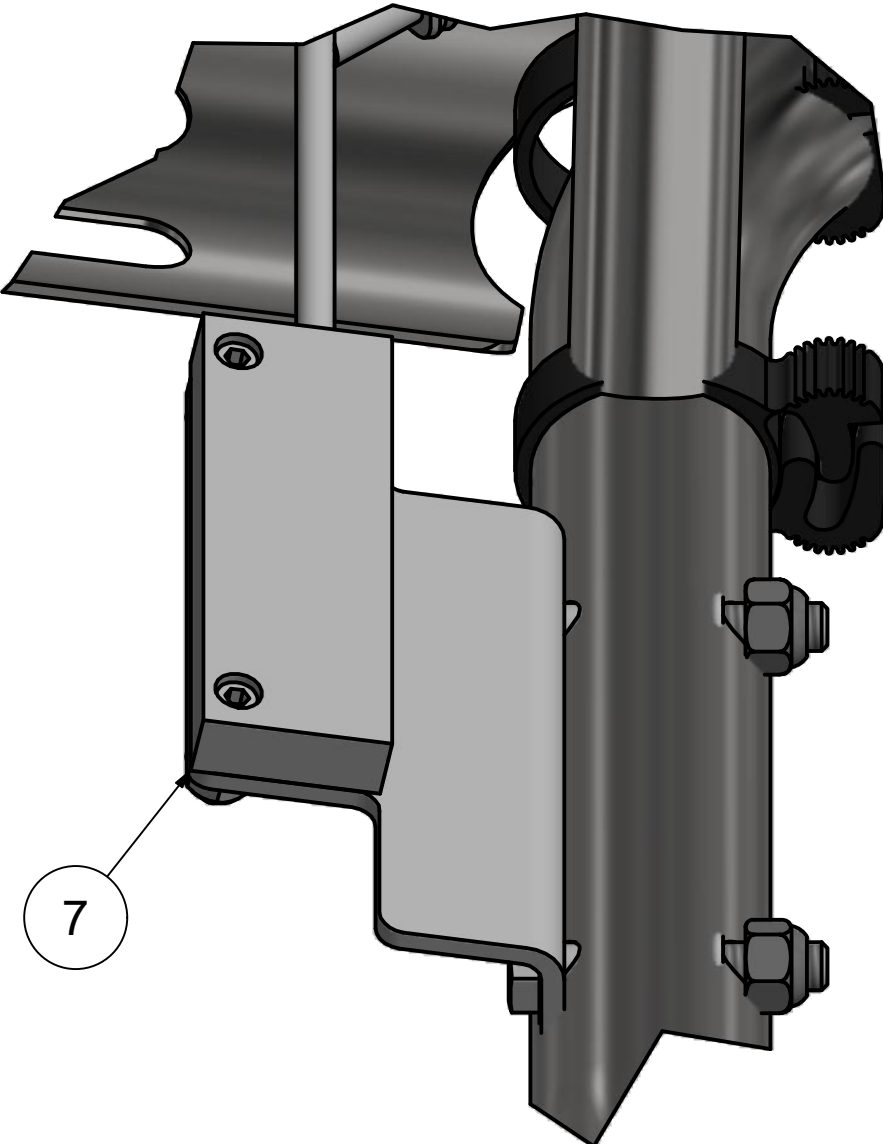
DETAIL "A"



DETAIL "B"



DETAIL "D"



DETAIL "C"

PARTS LIST - 4-DIGIT P/Ns ARE NOT SET UP FOR SALE. PLEASE CONTACT SPORTWORKS FOR REPLACEMENT P/Ns

ITEM	QTY	PART NO	TITLE
1	1	6275	Cable Guide Harness Sub, Trilogy
2	1	8777-PEN-CNTR	Trilogy Mirror Support Arm Assembly Short, Bike Counter, w/SS Washer, Bead Blast
3	1	8776-PEN-CNTR	Trilogy Mirror Support Arm Assembly Long, Bike Counter, w/SS Washer, Bead Blast
4	1	8292-PEN-CNTR	Prebuild Support Arm Assembly, All Stainless, Peened, Counter Magnet
5	6	8854	HHCS, Self-Drilling, w/ Washer, #10 x .75, Stainless
6	1	9454	Magnet Subassembly, Deployment Kit - part of 100501
7	1	5471	Support Arm Counter Switch Sub, Curb Side
8	1	5483	Support Arm Counter Switch Sub, Trilogy Street Side
9	1	5484	Support Arm Counter Switch Sub, Trilogy & DL2 Curb Side Rear

<p>Sportworks Northwest, Inc. 15540 Woodinville-Redmond Rd. NE, Bldg A-200 Woodinville, WA 98072, PH: 425-483-7000, FX: 425-488-9001</p> <p><small>PROPRIETARY: THIS IS PROPRIETARY INFORMATION AND IS NOT TO BE REFERENCED OR DISTRIBUTED WITHOUT PRIOR WRITTEN AUTHORIZATION OF SPORTWORKS NORTHWEST, INC.</small></p>	<p>TITLE Trilogy (DL3) Parts and Options Breakdown</p>
	<p>DWG NO. 100567, 100546, 101329, 101328</p> <p>REV A</p>
<p>SIZE C2B NO DRAWING SCALE SHEET 9 OF 9</p>	