



- Streamlined, modern design
- Superior durability
- Vandal-resistant rectangular tubing
- No Scratch bumper protects bikes and the rack from damage
- 2 bicycle per rack capacity
- Wheel and frame lockable; Compatible with various locks including U-locks
- Indoor or outdoor installation
- Versatile design can accommodate virtually any bicycle or scooter
- Made in USA

Westport™

No Scratch® Bike Rack



Versatile Installation

Multiple mounting options (surface, embedded, or rails); ideal for any interior or exterior location.



No Scratch® Bumper

Protects the bicycle and the rack from scratches and dents; Vandal-resistant and durable.

» MATERIAL AND FINISH OPTIONS:

- Stainless Steel (Bead Blast Satin), Qty: _____
- Mild Steel, Qty: _____
 - Hot Dipped Galvanized
 - Powder Coat*, Color: _____
 - Thermoplastic (Plascoat®)*, Color: _____







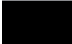
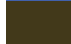

» MOUNTING OPTIONS:

- Embedded Mount (in-ground into concrete footing)
- Surface Mount (0.375" x 2" x 6" flat bar foot)
 - Concrete Wedge Anchors
 - Asphalt Anchors
 - Add Tamper-resistant Nuts
- Mounting Rails (see submittal sheet for options)
 - Concrete Wedge Anchors
 - Asphalt Anchors

CONTRACTOR: _____

PROJECT: _____

NOTES: _____

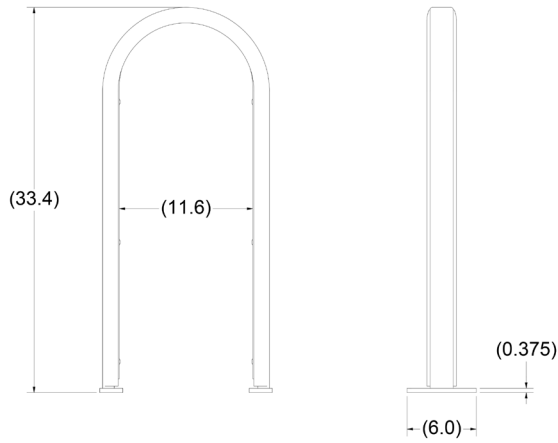
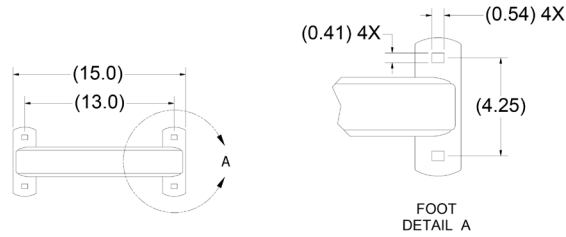
	White		Dk. Blue**		Green
	Silver		Blue		Yellow
	Black		Brown		Red

* Dark Blue not available in Plascoat

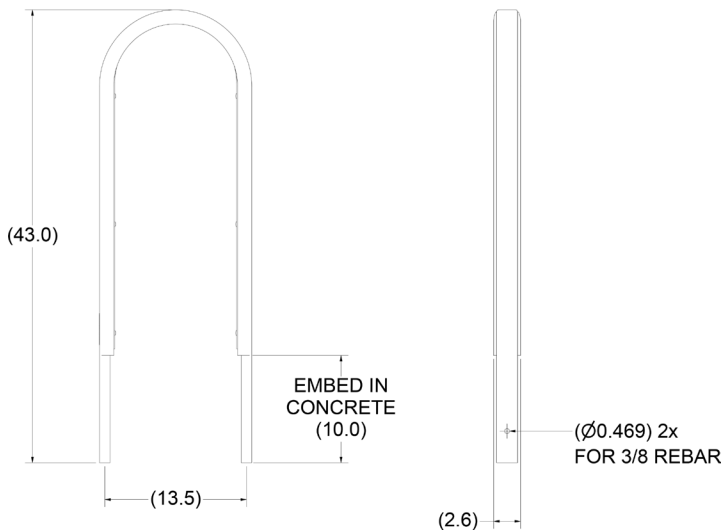
Plascoat is a registered trademark of Axalta Coating Systems, LLC and/or its affiliates

Specifications and Dimensions

» SURFACE MOUNT



» EMBEDDED MOUNT



» STANDARD SPECIFICATIONS

WEIGHT

Embedded: 27.9 lbs
Surface: 27.0 lbs

DIMENSIONS

Outer Tube: 2" x 1" x 0.12"
Flat Inner Bar: 0.25" x 2"



Secures up to 2 bicycles;
U-lock compatible



Compliant with Living Building
Challenge Criteria, Learn more:
<https://declare.living-future.org/>



Living Building Challenge
Red List Chemical Free



Stainless steel models feature
over 87% total recycled content



Made in USA
Washington State

Westport™

No Scratch® Bike Rack

All measurements are in inches

Features and specifications are subject to change without notice.
Copyright © 2024 Sportworks Global LLC. All rights reserved.



sportworks[®]
sportworks.com